

OPTIONS

- Connectors with cable, 5 m long, contact us

INSTALLATION

- The connectors can be mounted in any position without affecting operation

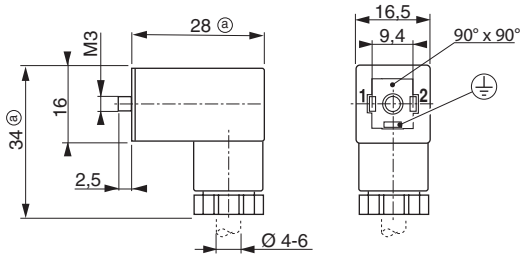
ORDERING EXAMPLES:

88143581 88130211
basic number _____

DIMENSIONS (mm), WEIGHT (kg)

TYPE 01
 Size 15, 9,4 mm
 EN 175301-803, industry standard form C
 IP65

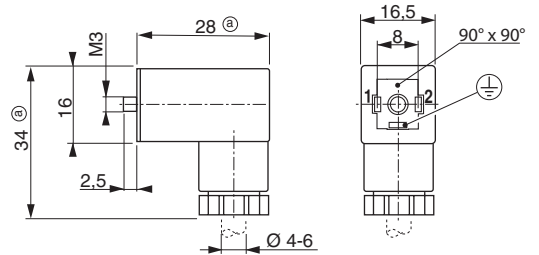
88143581



(a) Max. dimension.

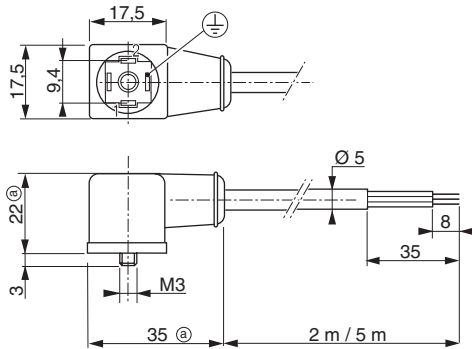
TYPE 02
 Size 15, 8 mm
 EN 175301-803, form C
 IP65

88130211



TYPE 03
 Size 15, flying leads, without LED indicator
 EN 175301-803, industry standard form C (9,4 mm)
 IP65
 (non-rotatable terminal holder)

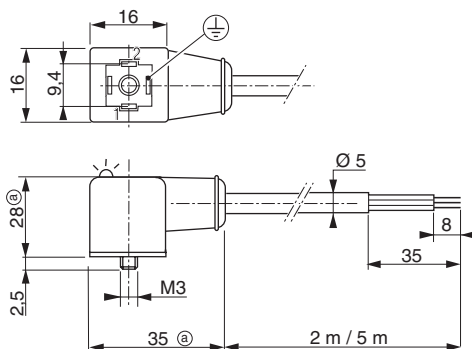
88143567



(a) Max. dimension.

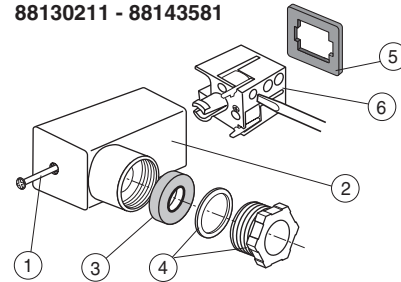
TYPE 04
 Size 15, flying leads, with LED indicator
 EN 175301-803, industry standard form C (9,4 mm)
 IP65
 (non-rotatable terminal holder)

88143580/593



(a) Max. dimension.

88130211 - 88143581



- ① Fastening screw
- ② Enclosure
- ③ Seal for cable dia. 4 to 6 mm
- ④ Stuffing box washer and nut
- ⑤ Connector seal
- ⑥ Terminal holder
- ⑦ Cable connection terminal

type	L (m)	weight ⁽¹⁾	
		without LED indicator	with LED indicator
01 - 02	-	0,015	-
03	2	0,100	-
04	2	-	0,100
	5	-	0,220

⁽¹⁾ Including seals and screws.

sizes 03 and 04	
brown wire	terminal 1 (+)
blue wire	terminal 2 (-)
green/yellow wire	earth