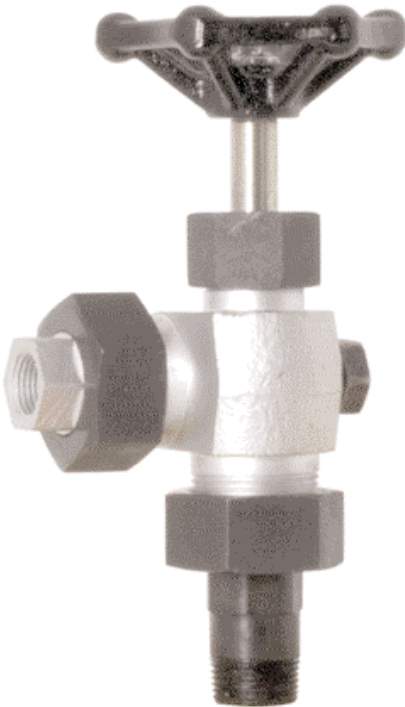




ARMORED LIQUID LEVEL GAUGES

ARCHON series 700 - OFFSET, INTEGRAL BONNET GAUGE COCKS

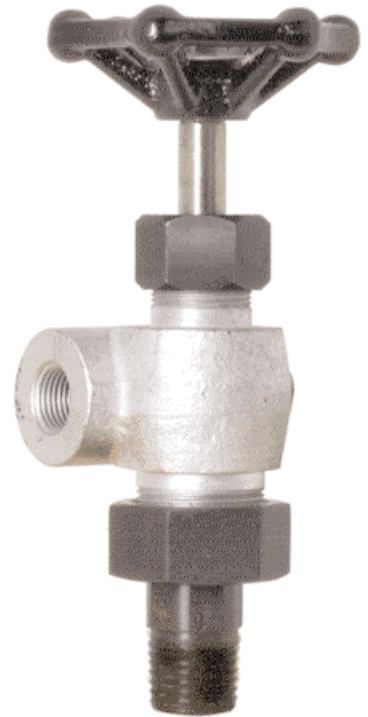


MODEL NO. 725

ARCHON's series 700 gauge cocks have drop forged steel bodies with stainless steel trim, a threaded renewable seat and safety ball checks allowing the flow to automatically shut off, should the glass break. The ball may be omitted upon request. Various connection styles are available to accommodate most pipe requirements.

The special offset feature was designed to allow easy cleaning of the inside of the gauge. The drain and vent connections are directly aligned with the gauge chamber and are offset 7/8" from the center line of the vessel connection. It is possible to clean the inside of an end connected gauge through the drain and vent connections without removing the gauge from service.

The union gauge connections make it possible to turn the gauge to any desired angle for the most convenient visibility. The union vessel connections provide access to the ball check. Gauge cocks are typically furnished with handwheel operation, but can also be supplied with a lever.



MODEL NO. 705

PRESSURE RATINGS

4000 psig at 100°F or 1700 psig at 600°F.

Exception: Model 745 (stuffing box) 1000 psig at 100°F.

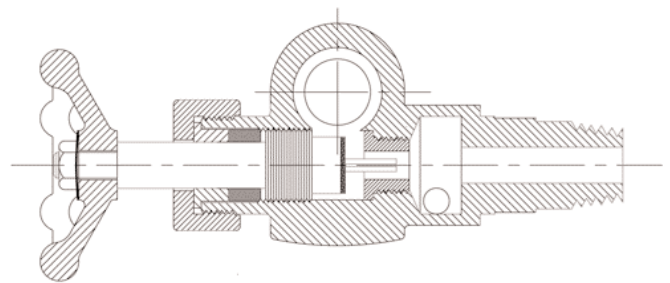
STANDARD CONNECTIONS

Gauge: 1/2" NPT Female
Vessel: 3/4" NPT Male
Drain/Vent: 1/2" NPT Female

OPTIONAL CONNECTIONS

Gauge: 3/4" NPT Female
1/2" or 3/4" NPT Male Union
1/2" or 3/4" NPT Female Union

Vessel: 1/2" or 3/4" NPT Male Union
1/2" or 3/4" NPT Female Union



**Contact ARCHON for additional material options, temperature ratings or special configurations.*

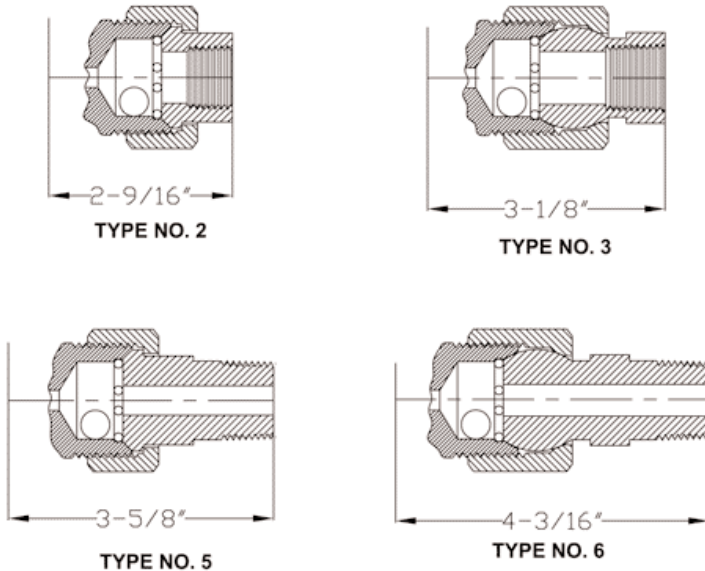
ARCHON Industries, Inc.

Bulletin: 1030 Issued: 10/2008



ARMORED LIQUID LEVEL GAUGES

OPTIONAL CONNECTIONS TO VESSEL



Gauge Cock models 751 thru 766 are NOT recommended for END CONNECTED GAUGES.

First Numeral: Indicates Type of Gauge Cock

Second Numeral: Indicates Type of Connection to Gauge

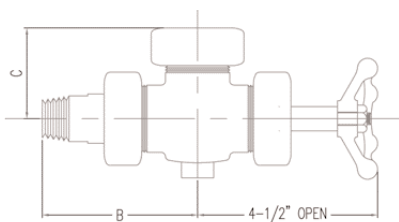
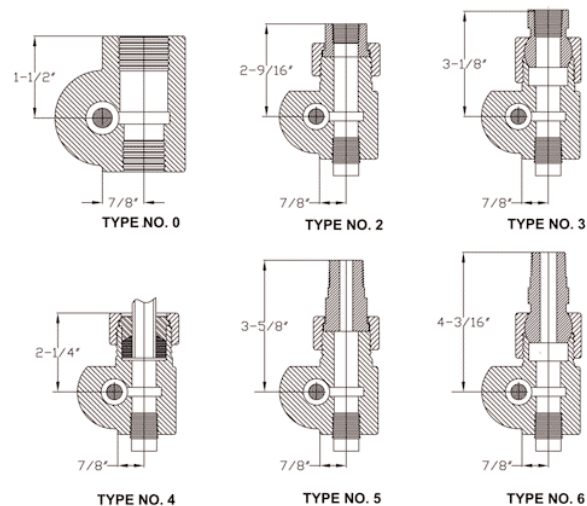
Third Numeral: Indicates Type of Connection to Vessel

Model Number	Connections to Gauge	Connections to Vessel
702	1/2" or 3/4" NPT Female	1/2" or 3/4" NPT Female Union
703	1/2" or 3/4" NPT Female	1/2" NPT Female Spherical Union
705	1/2" or 3/4" NPT Female	1/2" or 3/4" NPT Male Union
706	1/2" or 3/4" NPT Female	1/2" or 3/4" NPT Male Spherical Union
721	1/2" or 3/4" NPT Female Union	1/2" or 3/4" NPT Male Non-Union Solid Shank
722	1/2" or 3/4" NPT Female Union	1/2" or 3/4" NPT Female Union
723	1/2" or 3/4" NPT Female Union	1/2" NPT Female Spherical Union
725	1/2" or 3/4" NPT Female Union	1/2" or 3/4" NPT Male Union
726	1/2" or 3/4" NPT Female Union	1/2" or 3/4" NPT Male Spherical Union
731	1/2" NPT Female Spherical Union	1/2" or 3/4" NPT Male Non-Union Solid Shank
732	1/2" NPT Female Spherical Union	1/2" or 3/4" NPT Female Union
733	1/2" NPT Female Spherical Union	1/2" NPT Female Spherical Union
735	1/2" NPT Female Spherical Union	1/2" or 3/4" NPT Male Union
736	1/2" NPT Female Spherical Union	1/2" or 3/4" NPT Male Spherical Union
745	1/2", 5/8", 3/4" Stuffing Box	1/2" or 3/4" NPT Male Union
751	1/2" or 3/4" NPT Male Union	1/2" or 3/4" NPT Male Non-Union Solid Shank
752	1/2" or 3/4" NPT Male Union	1/2" or 3/4" NPT Female Union
753	1/2" or 3/4" NPT Male Union	1/2" NPT Female Spherical Union
755	1/2" or 3/4" NPT Male Union	1/2" or 3/4" NPT Male Union
756	1/2" or 3/4" NPT Male Union	1/2" or 3/4" NPT Male Spherical Union
761	1/2" or 3/4" NPT Male Spherical Union	1/2" or 3/4" NPT Male Non-Union Solid Shank
762	1/2" or 3/4" NPT Male Spherical Union	1/2" or 3/4" NPT Female Union
763	1/2" or 3/4" NPT Male Spherical Union	1/2" NPT Female Spherical Union
765	1/2" or 3/4" NPT Male Spherical Union	1/2" or 3/4" NPT Male Union
766	1/2" or 3/4" NPT Male Spherical Union	1/2" or 3/4" NPT Male Spherical Union

OPTIONAL CONNECTIONS TO GAUGE

Types of Connections

- 0-Threaded Connection
- 1-Female Union Connections
- 2-Female Spherical Union Connections
- 3-Stuffingbox Connections
- 4-Male Union Connections
- 5-Male Spherical Union Connections



Dimension 'B': See Optional Connections to Vessel

Dimension 'C': See Optional Connections to Gauge

*Contact ARCHON for additional material options, temperature ratings or special configurations.

ARCHON Industries, Inc.

Bulletin: 1030 Issued: 10/2008