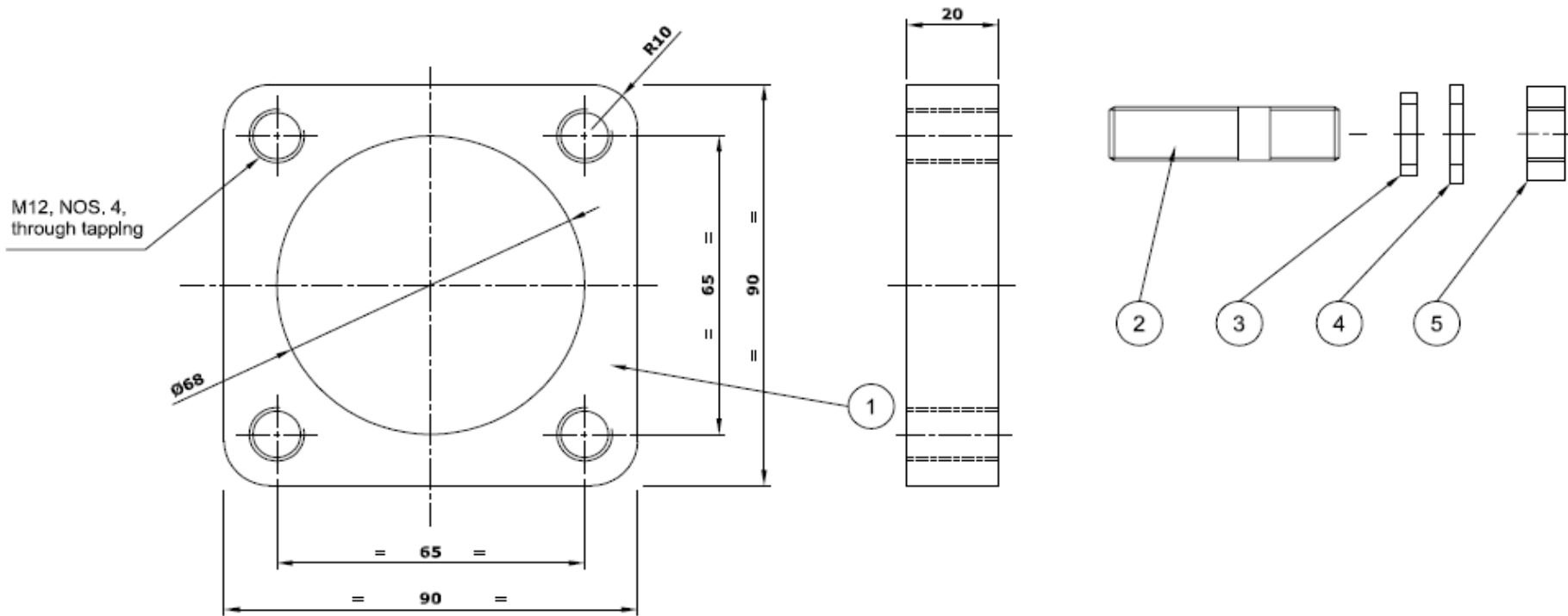


SR.NO.	DESCRIPTION	QTY.	MATERIAL
1	Square Flange	1	ALUMINIUM (ASTM A6063-T6)
2	Stud (M12)	4	SS 316
3	Spring Washer	4	SS 316
4	Washer	4	SS 316
5	Nut (M12)	4	SS 316

PandID®B.V. - t: +31 174 280 371 - f: +31 174 280 853 - i: www.pandid.nl - e: info@pandid.nl				DRN	A.G	19-11-16	PRODUCT NAME: Square Flange (with mounting accessories)	
				CHK	D.H.S	19-11-16		
				APRD	A.G.P	19-11-16		
REV	DATE	DESCRIPTION	DIMENSIONS :		M.M.		SIZE :	
Notes : Dimensions for reference only and are subject to change.			SCALE :		N.T.S.		PART/MODEL NO:	
			PROJECTION :				CSQFL 586B	
			MATERIAL :				DRAWING NO :	CSQFL 586B
							REV	00
This document is the property of PANDID B.V. and should not be used by third parties without permission.								

Manufacturing instructions: (1) unspecified tolerance is ±0,2 – (2) machine area free from chatering, dent, tool mark, sharp edges & burrs. *indicate or critical dimension to be controlled & to be inspected. This drawing contains information that is confidential and propriety to PandID B.V. This drawing is furnished on the understanding that the drawing and the information it contains will not be copied or disclosed to others except with the written consent of PandID B.V. will not be used to the detriment of PandID B.V., and will be returned upon request of PandID B.V.



SR.NO.	DESCRIPTION	QTY.	MATERIAL
1	square flange	1	mild steel
2	stud (M12)	4	mild steel
3	spring washer	4	spring steel
4	washer	4	mild steel
5	nut (M12)	4	mild steel

remark; all in 316L SS material - CSQFL 586L

PandID®B.V. - t: +31 174 280 371 - f: +31 174 280 853 - i: www.pandid.nl - e: info@pandid.nl

	DRN. BY I	SCALE I	N.T.S.	TITLE : Square Flange (with mounting accessories)	DRAWING NO : CSQFL 586	REV : 01
	APPRD. BY I	PROJECTION I				
	DIMENSIONS : M.M.	MATERIAL I	-----			

Manufacturing instructions: (1) unspecified tolerance is $\pm 0,2$ – (2) machine area free from chattering, dent, tool mark, sharp edges & burrs. *indicate or critical dimension to be controlled & to be inspected. This drawing contains information that is confidential and propriety to PandID B.V. This drawing is furnished on the understanding that the drawing and the information it contains will not be copied or disclosed to others except with the written consent of PandID B.V. will not be used to the detriment of PandID B.V., and will be returned upon request of PandID B.V.