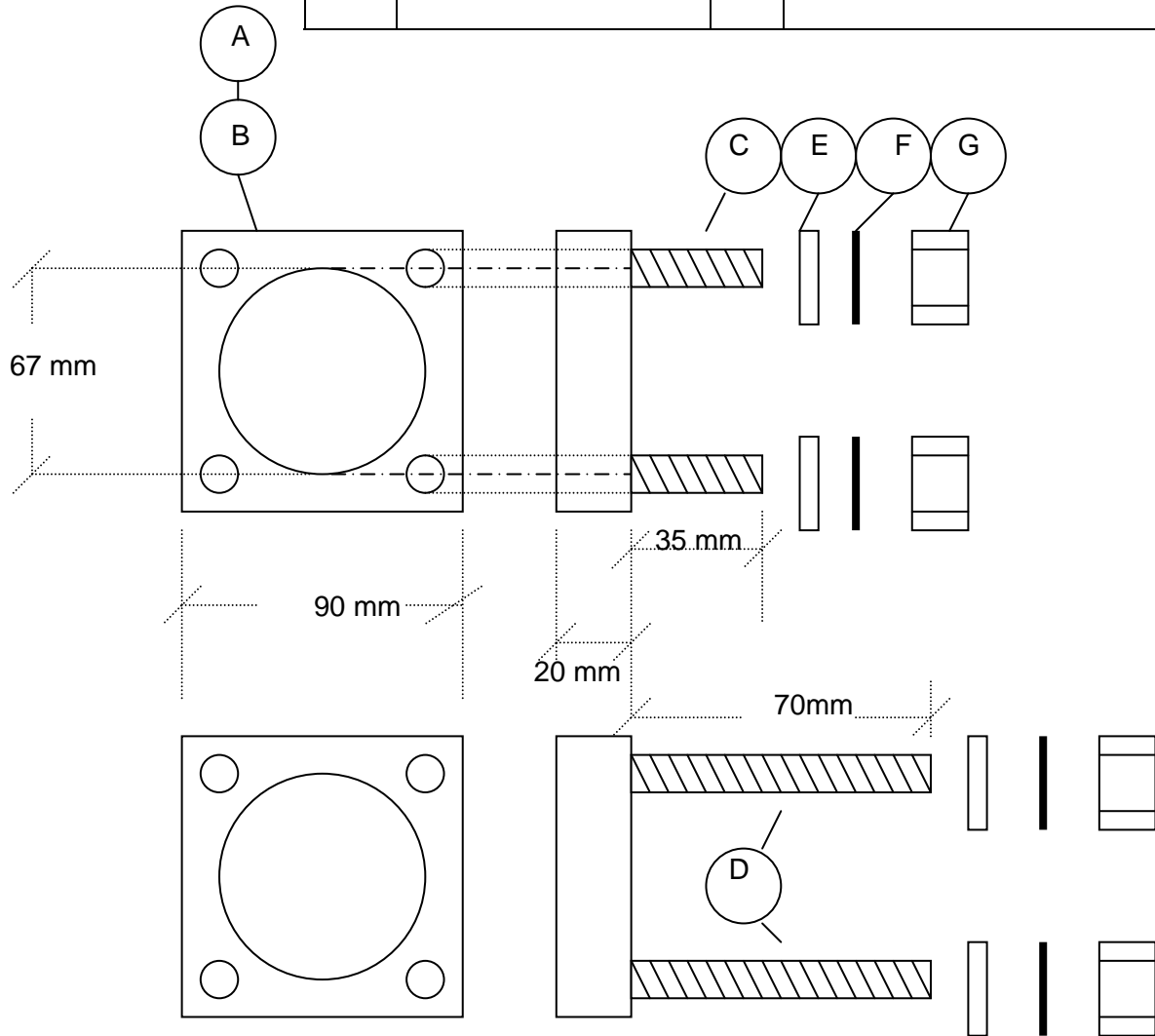


Square welding flange 92x92 for horizontal and vertical float switches

A	square flange	1	steel CK35
B	square flange	1	stainless steel AISI 316
C	thread spindle 35 mm	4	stainless steel AISI 316
D	thread spindle 70 mm	4	stainless steel AISI 316
E	ring	4	stainless steel
F	springring	4	steel alloy
G	nut M12	4	stainless steel



Remarks

1. hole in tank minimum 67 mm
2. 70 mm thread spindle for wafer type float tester