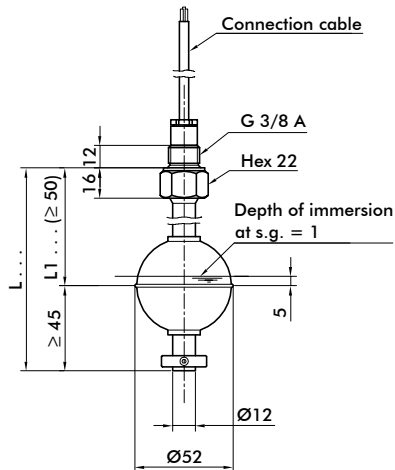


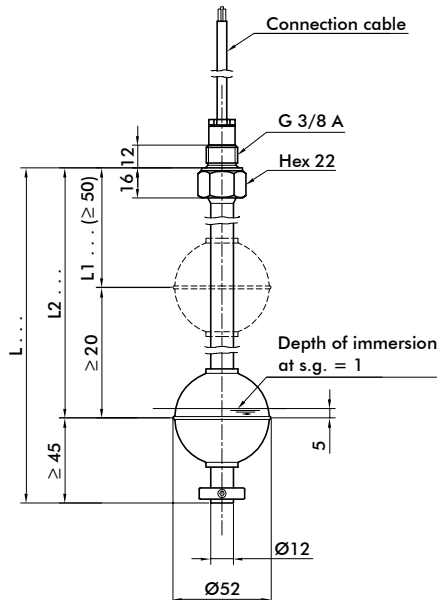
Reed-Control Float Switch

stainless steel (1.4435, 1.4571) with stainless steel Ball Float

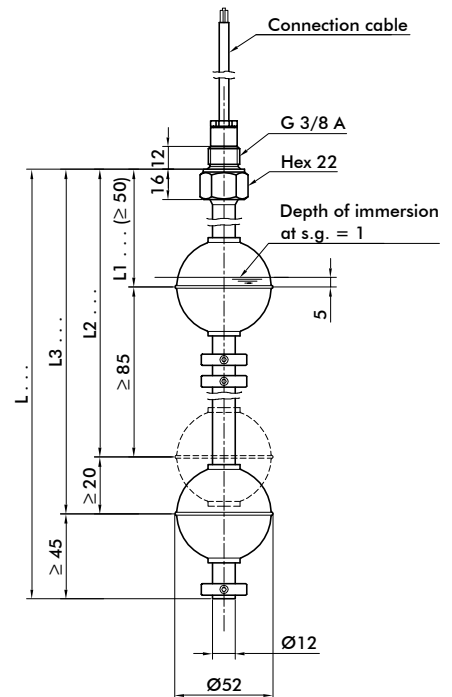
R3/8" - EO - L100 - E52 - 1mPVC
 R3/8" - ES - L100 - E52 - 1mPVC
 R3/8" - EU - L100 - E52 - 1mPVC



R3/8" - EOO - L200 - E52 - 1mPVC
 R3/8" - ESS - L200 - E52 - 1mPVC
 R3/8" - EUU - L200 - E52 - 1mPVC



R3/8" - EOOO - L300 - E52 - 1mPVC
 R3/8" - ESSS - L300 - E52 - 1mPVC
 R3/8" - EUUU - L300 - E52 - 1mPVC



Technical data:

Electrical Connection:	PVC cable
Process Connection:	G 3/8 A stainless steel
Guide Tube:	Ø12 mm stainless steel
Float:	Ball Ø52 mm stainless steel
Switch Circuits on rising Level:	
S = Normally open (NO, SPST):	100 VA / 250 V AC/DC / 2 A
O = Normally closed (NC, SPST):	100 VA / 250 V AC/DC / 2 A
U = Change-over (SPDT):	40 VA / 250 V AC/DC / 1 A
Temperature Range:	-30°C to +100°C
Protection Rating:	IP 68
Maximum Static Pressure:	40 bar
Specific Gravity:	Min. 0,7g/cm ³
Mounting Attitude:	Vertical ±30°

Technical data subject to alternations.

Special design:

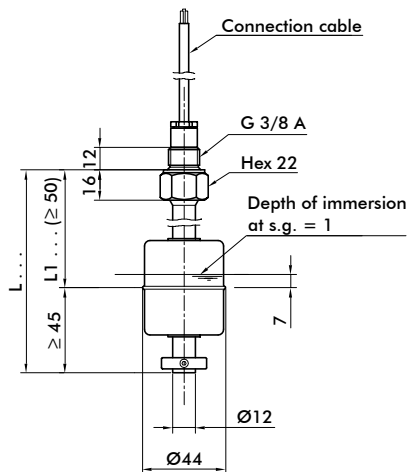
- Guide Tube:**
 Maximum length = 6000 mm
- Cable:**
 PVC cable: 0,5 mm², 90°C
 Polyurethane cable: 0,5 mm², 130°C
 Silicone cable: 0,5 mm², 180°C
- Additional switching Positions :**
 Two Reed contacts can be operated with one float. (Minimum distance 20 mm)
- Options:**
 - Type used for food applications
 - High temperature up 300°C
 - Temperature switch
- Float:**
 E62 = Ball float Ø62 mm stainless steel
- Further types on request.



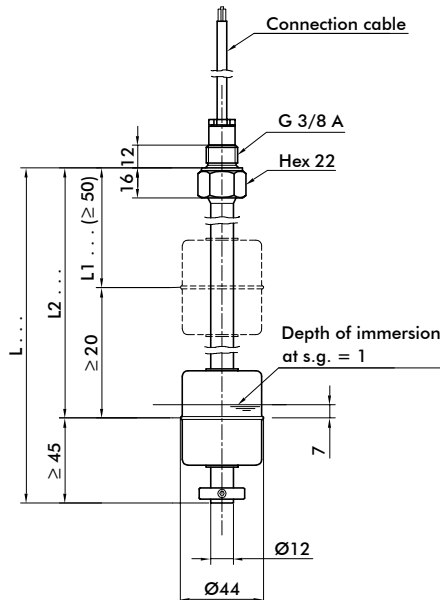
Reed-Control Float Switch

stainless steel (1.4435, 1.4571) with cylindrical stainless steel Float

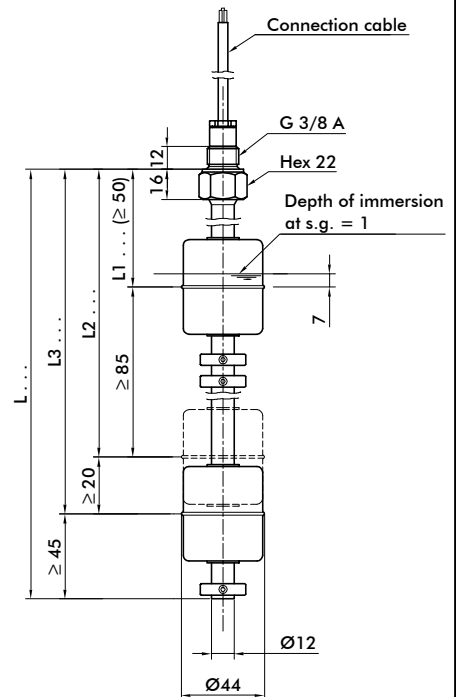
R3/8" - EO - L100 - E44Z - 1mPVC
 R3/8" - ES - L100 - E44Z - 1mPVC
 R3/8" - EU - L100 - E44Z - 1mPVC



R3/8" - EOO - L200 - E44Z - 1mPVC
 R3/8" - ESS - L200 - E44Z - 1mPVC
 R3/8" - EUU - L200 - E44Z - 1mPVC



R3/8" - EOOO - L300 - E44Z - 1mPVC
 R3/8" - ESSS - L300 - E44Z - 1mPVC
 R3/8" - EUUU - L300 - E44Z - 1mPVC



Technical data:

Electrical Connection:	PVC cable
Process Connection:	G 3/8 A stainless steel
Guide Tube:	Ø12 mm stainless steel
Float:	Cylinder Ø44 mm stainless steel
Switch Circuits on rising Level:	
S = Normally open (NO, SPST):	100 VA / 250 V AC/DC / 2 A
O = Normally closed (NC, SPST):	100 VA / 250 V AC/DC / 2 A
U = Change-over (SPDT):	40 VA / 250 V AC/DC / 1 A
Temperature Range:	-30°C to +100°C
Protection Raing:	IP 68
Maximum Static Pressure:	25 bar
Specific Gracity:	Min. 0,7g/cm ³
Mounting Attitude:	Vertical ±30°

Technical data subject to alternations.

Special design:

Guide Tube:
 Maximum length = 6000 mm

Cable:
 PVC cable: 0,5 mm², 90°C
 Polyurethane cable: 0,5 mm², 130°C
 Silicone cable: 0,5 mm², 180°C

Additional switching Positions :
 Two Reed contacts can be operated with one float. (Minimum distance 20 mm)

Options:
 - Type used for food applications
 - High temperature up to 300°C
 - Temperature switch

Process Connection:
 G 1/2 A or G 1 A instead of G 3/8 A

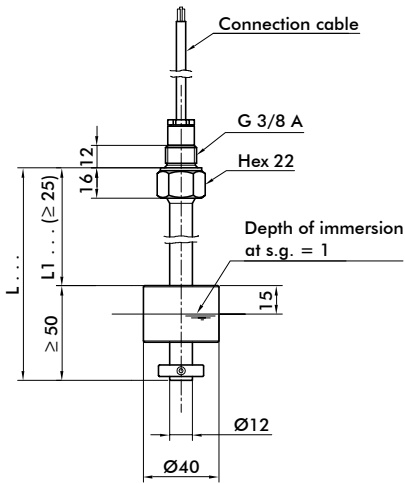
Further types on request.



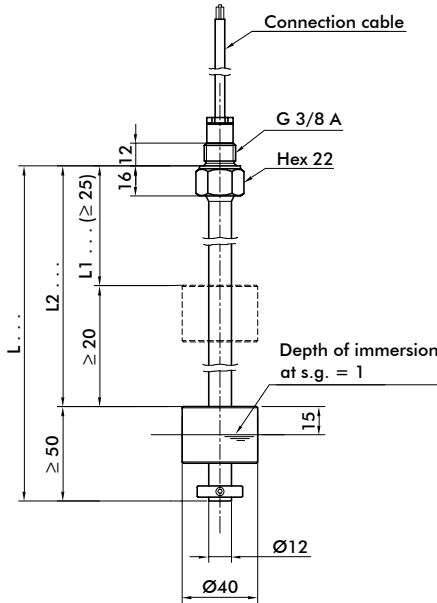
Reed-Control Float Switch

stainless steel (1.4435, 1.4571) with cylindrical Buna Float

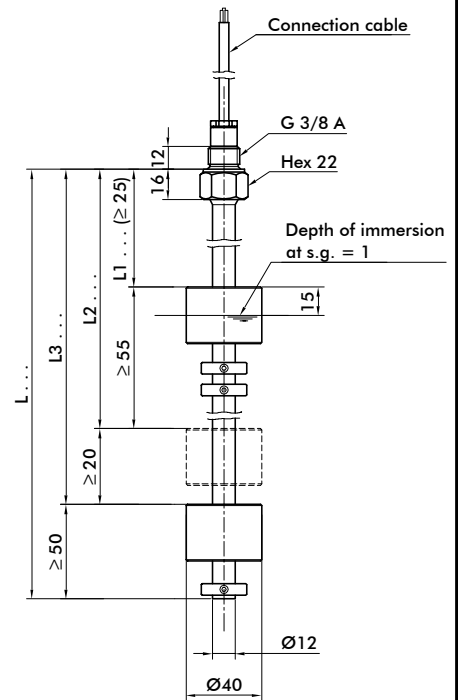
R3/8" - EO - L100 - BU40 - 1mPVC
 R3/8" - ES - L100 - BU40 - 1mPVC
 R3/8" - EU - L100 - BU40 - 1mPVC



R3/8" - EOO - L200 - BU40 - 1mPVC
 R3/8" - ESS - L200 - BU40 - 1mPVC
 R3/8" - EUU - L200 - BU40 - 1mPVC



R3/8" - EOOO - L300 - BU40 - 1mPVC
 R3/8" - ESSS - L300 - BU40 - 1mPVC
 R3/8" - EUUU - L300 - BU40 - 1mPVC



Technical data:

Electrical Connection:	PVC cable
Process Connection:	G 3/8 A stainless steel
Guide Tube:	Ø12 mm stainless steel
Float:	Cylinder Ø40 mm Buna
Switch Circuits on rising Level:	
S = Normally open (NO, SPST):	100 VA / 250 V AC/DC / 2 A
O = Normally closed (NC, SPST):	100 VA / 250 V AC/DC / 2 A
U = Change-over (SPDT):	40 VA / 250 V AC/DC / 1 A
Temperature Range:	-30°C to +100°C
Protection Rating:	IP 68
Maximum Static Pressure:	10 bar
Specific Gravity:	min. 0,7g/cm ³
Mounting Attitude:	Vertical ±30°

Technical data subject to alternations.

Special design:

- Guide Tube:**
 Maximum length = 6000 mm
- Cable:**
 PVC cable: 0,5 mm², 90°C
 Polyurethane cable: 0,5 mm², 130°C
 Silicone cable: 0,5 mm², 180°C
- Additional switching Positions :**
 Two Reed contacts can be operated with one float. (Minimum distance 20 mm)
- Options:**
 - Temperature switch
- Float:**
 BU50 = Cylindrical float Ø50 mm Buna

Further types on request.

