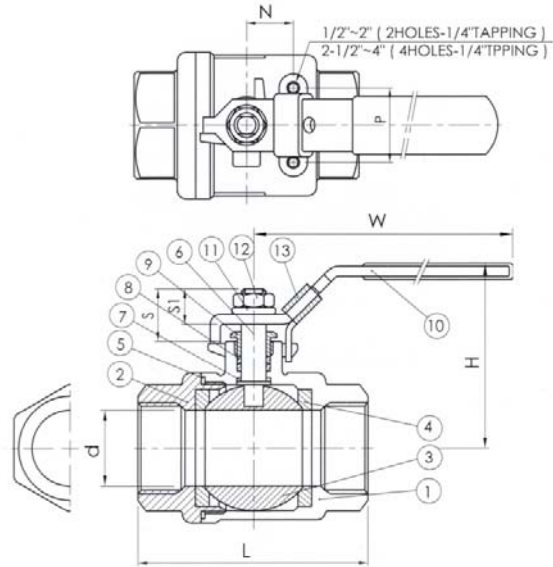


TWO PIECE FULL BORE BALL VALVE

Mod.
2SS



Size	1/4"	3/8"	1/2"	3/4"	1"	1.1/4"	1.1/2"	2"	2.1/2"	3"	4"
d	11.6	12.7	15	20	25	32	38	50	65	80	100
L	44.5	44.5	57	65	76	87.5	102	123	156	184	250
H	51	51	53	59.5	73	79	90.5	98.5	130.5	142.5	173.5
W	95	95	95	110	135	135	165	165	215	215	325
S	16.8	16.8	16.8	21	24	25	26.5	26.5	41.5	41.5	47.5
S1	10.2	10.2	10.2	13.5	16	16	17	17	29.5	29.5	36.5
N	12.5	12.5	12.5	21	22.5	23.5	23.5	23.5	35	35	50
P	25	25	25	24	33.5	38.1	38.1	38.1	56	56	63
Cv	6.6	7.9	11.2	21	35	57	80	148	265	415	780

All dimension are in millimeter (mm.)

No.	Part Name	Materials
1	Body	ASTM A351-CF8M
2	Cap	ASTM A351-CF8M
3	Ball	ASTM A351-CF8M
4	Ball Seat	15% R-PTFE
5	Joint Gasket	PTFE
6	Stem	AISI 316
7	Thrust Washer	PTFE
8	Stem Packing	PTFE
9	Gland Nut	AISI 304
10	Handle	AISI 304
11	Spring Washer	AISI 304
12	Stem Nut	AISI 304
13	Lock Device	AISI 304



Technical Characteristics

- The thread ends conform to
ASME B1.20.1 (NPT)
DIN 2999 & Bs 21
ISO 228/1 & ISO 7/1
- Investment casting body
- Blow-out proof stem
- Full bore
- Rating 800 Lbs
- 15% glassfiber fill PTFE reinforced seat
- PTFE seal & packing
- Lacht lock handle (on request)
- Mounting pad (on request)

Code Handle	Size	Code Butterfly
2SS001	1/4"	B2SS001
2SS002	3/8"	B2SS002
2SS003	1/2"	B2SS003
2SS004	3/4"	B2SS004
2SS005	1"	B2SS005
2SS006	1.1/4"	B2SS006
2SS007	1.1/2"	B2SS007
2SS008	2"	B2SS008