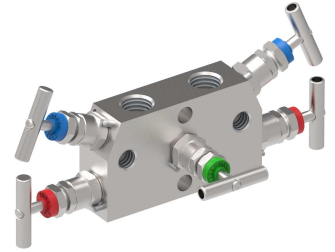


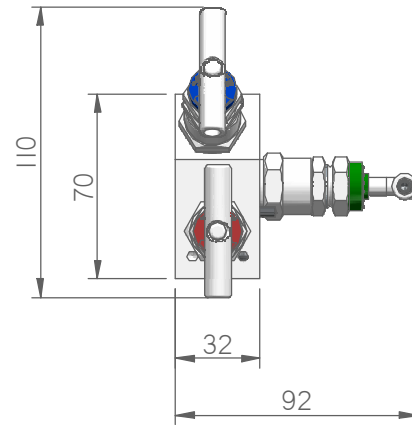
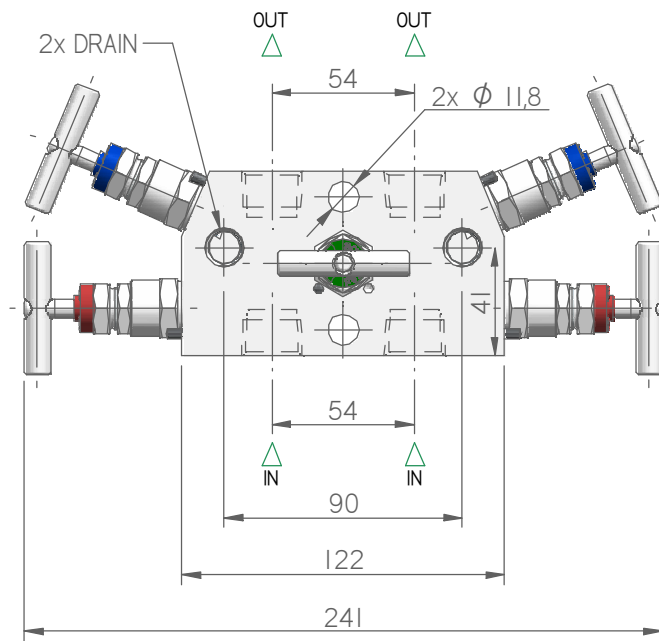
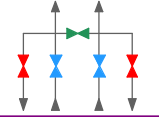
MODEL:

M546

REMOTE MOUNTED MANIFOLD



This manifold are designed for remote installation from Pressure Instruments or Differential Pressure Transmitters.



MODEL SELECTION

MODEL	RATING	MATERIAL	PACKING	IN	OUT	VENT	CODE	WEIGHT	NOTE	
M546	6K psi	AISI 316L	PTFE	1/2" NPT-F	1/2" NPT-F	1/4" NPT-F	M546-06ST8N8N4	2,5 Kg	Packing material PTFE as standard max temperature 180°C. The dimensions shown apply only to the illustrated valve – if you need the dimensions for your individual type or should you still not find your options at all please contact the factory.	
		ASTM A105					M546-06AT8N8N4			
		F51					M546-06DT8N8N4			
		F55					M546-06ET8N8N4			
		ALLOY 400					M546-06FT8N8N4			
		C276					M546-06GT8N8N4			
		6MO					M546-06HT8N8N4			
		I625					M546-06IT8N8N4			
		10K psi					AISI 316L			M546-10ST8N8N4
							ASTM A105			M546-10AT8N8N4
	F51						M546-10DT8N8N4			
	F55						M546-10ET8N8N4			
	ALLOY 400						M546-10FT8N8N4			
	C276						M546-10GT8N8N4			
	6MO						M546-10HT8N8N4			
	I625						M546-10IT8N8N4			

I.T.E. s.r.l. COMMITS ITSELF TO CONSTANTLY IMPROVE ITS PRODUCTS AND THEREFORE IT RESERVES THE RIGHT TO MODIFY DATA, FEATURES WITHOUT NOTICE.

REMOTE MANIFOLD - CODIFICA

1 2 3 4 5 6 7 8 9 10 11 12 13 14 15 16

ESEMPIO:

M 5 4 6 - 0 6 S T 8 N 8 N 4

MODEL	
M546	REMOTE MANIFOLD 5 VLV 70x32 I/O 180° WITH DRAIN
RATING	
06	Serie 6000
10	Serie 10000
MATERIAL	
S	Aisi 316L
A	A105
D	F51
E	F55
F	Monel 400
G	C276 Hastelloy
H	6 Mo/F44
I	Inconel 625
PACKING	
T	Teflon
G	Graphoil
IN	
4	1/4"
6	3/8"
8	1/2"
12	3/4"
20	M20 x 1,5
THREAD	
N	NPT
I	BSPP GAS (ISO 1179)
K	BSPT R/RC (ISO 7)
B	Butt weld
S	Socket Weld
M	Metrico
OUT (Same as "IN" standard)	
4	1/4"
6	3/8"
8	1/2"
12	3/4"
20	M20 x 1,5
THREAD (Same as "IN" standard)	
N	NPT
I	BSPP GAS (ISO 1179)
K	BSPT R/RC (ISO 7)
B	Butt weld
S	Socket Weld
M	Metrico
DRAIN	
	/
4	1/4 NPT
8	1/2 NPT
OPTIONS	
	/
B	All component 316L
C	Special Testing
D	Custom marking
E	T-Bar 316L
L	Lox cleaning
TI	Isolate Anti-tamper
K	Padlock for all anti tamper bonnet
T	Mounted plug drain
KT	Padlock for all T-bar bonnet
CR	Criogenic Version