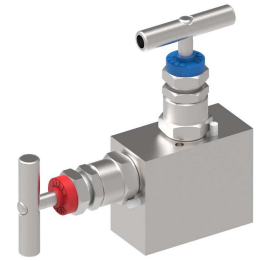
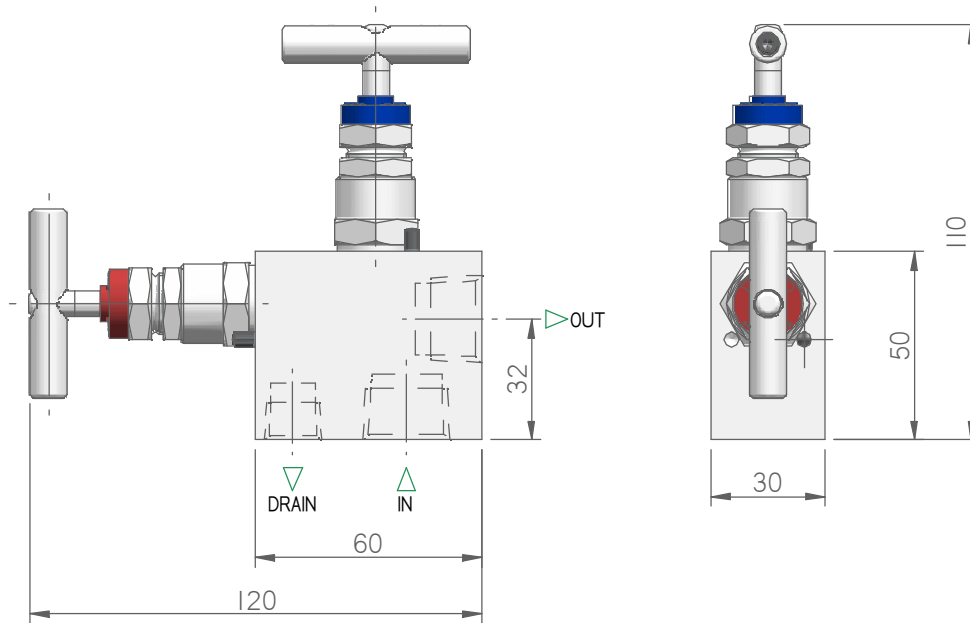


# MODEL: M22

REMOTE MOUNTED MANIFOLD



This manifold are designed for mounting to Pressure Gauges, Pressure Transmitters or Pressure Switches. Composed of primary block valve and secondary valve for instrument venting or calibrating.



## MODEL SELECTION

MODEL	RATING	MATERIAL	PACKING	IN	OUT	VENT	CODE	WEIGHT	NOTE	
M22	6K psi	AISI 316L	PTFE	1/2" NPT-F	1/2" NPT-F	1/4" NPT-F	M22-06ST8N8N4	0,9 Kg	Packing material PTFE as standard max temperature 180 °C.  The dimensions shown apply only to the illustrated valve – if you need the dimensions for your individual type or should you still not find your options at all please contact the factory.	
		ASTM A105					M22-06AT8N8N4			
		F51					M22-06DT8N8N4			
		F55					M22-06ET8N8N4			
		ALLOY 400					M22-06FT8N8N4			
		C276					M22-06GT8N8N4			
		6MO					M22-06HT8N8N4			
		I625					M22-06IT8N8N4			
		10K psi					AISI 316L			M22-10ST8N8N4
							ASTM A105			M22-10AT8N8N4
	F51						M22-10DT8N8N4			
	F55						M22-10ET8N8N4			
	ALLOY 400						M22-10FT8N8N4			
	C276						M22-10GT8N8N4			
	6MO						M22-10HT8N8N4			
	I625						M22-10IT8N8N4			

I.T.E. s.r.l. COMMITS ITSELF TO CONSTANTLY IMPROVE ITS PRODUCTS AND THEREFORE IT RESERVES THE RIGHT TO MODIFY DATA, FEATURES WITHOUT NOTICE.

# REMOTE MANIFOLD - CODIFICA

1 2 3 4 5 6 7 8 9 10 11 12 13 14 15

ESEMPIO:

M 2 2 - 0 6 S T 8 N 8 N 4

## MODEL

M22 REMOTE MANIFOLD 2 VLV 50x30 I/O 90°

## RATING

06 Serie 6000  
10 Serie 10000

## MATERIAL

S Aisi 316L  
A A105  
D F51  
E F55  
F Monel 400  
G C276 Hastelloy  
H 6 Mo/F44  
I Inconel 625

## PACKING

T Teflon  
G Graphoil

## IN

4 1/4"  
6 3/8"  
8 1/2"  
12 3/4"  
20 M20 x 1,5

## THREAD

N NPT  
I BSPP GAS (ISO 1179)  
K BSPT R/RC (ISO 7)  
B Butt weld  
S Socket Weld  
M Metrico

## OUT (Same as "IN" standard)

4 1/4"  
6 3/8"  
8 1/2"  
12 3/4"  
20 M20 x 1,5

## THREAD (Same as "IN" standard)

N NPT  
I BSPP GAS (ISO 1179)  
K BSPT R/RC (ISO 7)  
B Butt weld  
S Socket Weld  
M Metrico

## DRAIN

/  
4 1/4 NPT  
8 1/2 NPT

## OPTIONS

/  
B All component 316L  
C Special Testing  
D Custom marking  
E T-Bar 316L  
L Lox cleaning  
TI Isolate Anti-tamper  
K Padlock for all anti tamper bonnet  
T Mounted plug drain  
KT Padlock for all T-bar bonnet  
CR Criogenic Version