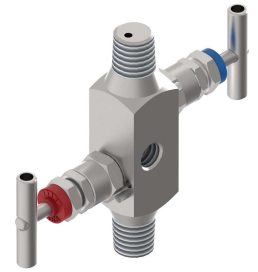


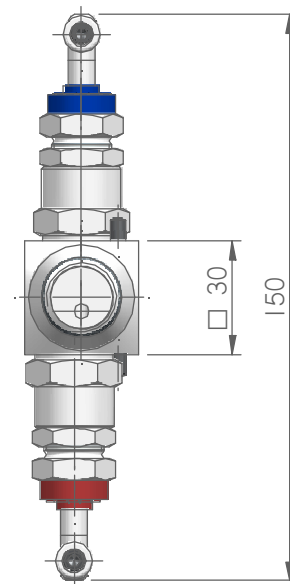
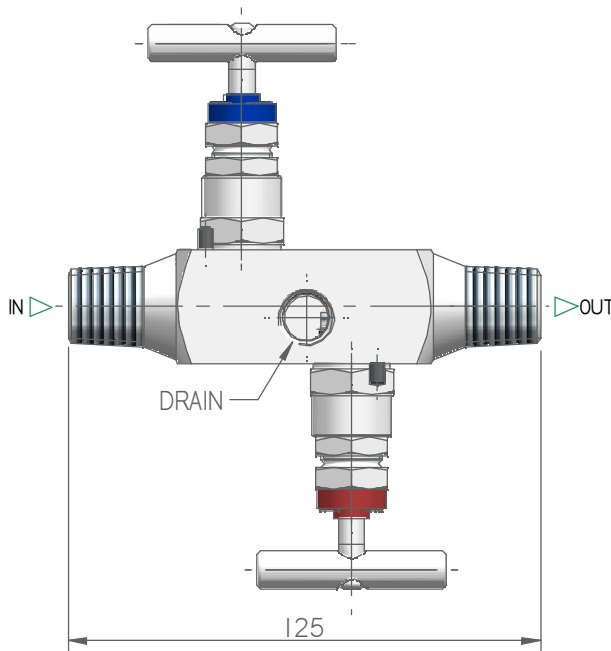
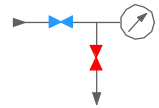
MODEL:

M242

BLOCK & BLEED MANIFOLD



This manifold is used for connect a static pressure instrument to process fluid. Composed of primary block valve and secondary valve for instrument venting or calibrating.



MODEL SELECTION

MODEL	RATING	MATERIAL	PACKING	IN	OUT	VENT	CODE	WEIGHT	NOTE	
M242	6K psi	AISI 316L	PTFE	1/2" NPT-M	1/2" NPT-M	1/4" NPT-F	M242-06ST8N8N4	0,9 Kg	Packing material PTFE as standard max temperature 180 °C. The dimensions shown apply only to the illustrated valve – if you need the dimensions for your individual type or should you still not find your options at all please contact the factory.	
		ASTM A105					M242-06AT8N8N4			
		F51					M242-06DT8N8N4			
		F55					M242-06ET8N8N4			
		ALLOY 400					M242-06FT8N8N4			
		C276					M242-06GT8N8N4			
		6MO					M242-06HT8N8N4			
		I625					M242-06IT8N8N4			
		10K psi					AISI 316L			M242-10ST8N8N4
							ASTM A105			M242-10AT8N8N4
	F51						M242-10DT8N8N4			
	F55						M242-10ET8N8N4			
	ALLOY 400						M242-10FT8N8N4			
	C276						M242-10GT8N8N4			
	6MO						M242-10HT8N8N4			
	I625						M242-10IT8N8N4			

I.T.E. s.r.l. COMMITS ITSELF TO CONSTANTLY IMPROVE ITS PRODUCTS AND THEREFORE IT RESERVES THE RIGHT TO MODIFY DATA, FEATURES WITHOUT NOTICE.

BB & DBB MANIFOLD

1 2 3 4 5 6 7 8 9 10 11 12 13 14 15 16

EX.:

M 2 4 2 - 0 6 S T 8 N 8 N 4 P M

MODEL

M242 BLOCK & BLEED NEEDLE MANIFOLD I/O M/M THREADED 180°

RATING

06 Serie 6000
10 Serie 10000

MATERIAL

S Aisi 316L
A A105
D F51
E F55
F Monel 400
G C276 Hastelloy
H 6 Mo/F44
I Inconel 625

PACKING

T Teflon
G Graphoil

IN

4 1/4"
6 3/8"
8 1/2"
12 3/4"
20 M20 x 1,5

THREAD

N NPT
I BSPP GAS (ISO 1179)
K BSPT R/RC (ISO 7)
B Butt weld
S Socket Weld
M Metrico

OUT (Same as "IN" standard)

4 1/4"
6 3/8"
8 1/2"
12 3/4"
20 M20 x 1,5

THREAD (Same as "IN" standard)

N NPT
R BSPP GAS (EN 837-1) - Gauge connection
I BSPP GAS (ISO 1179)
K BSPT R/RC (ISO 7)
B Butt weld
S Socket Weld
M Metrico

DRAIN

/
4 1/4 NPT
8 1/2 NPT

OPTIONS

/
B All component 316L
C Special Testing
D Custom marking
E T-Bar 316L
L Lox cleaning
TI Isolate Anti-tamper
K Padlock for all anti tamper bonnet
T Mounted plug drain
KT Padlock for all T-bar bonnet
CR Criogenic Version