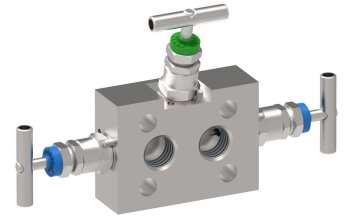
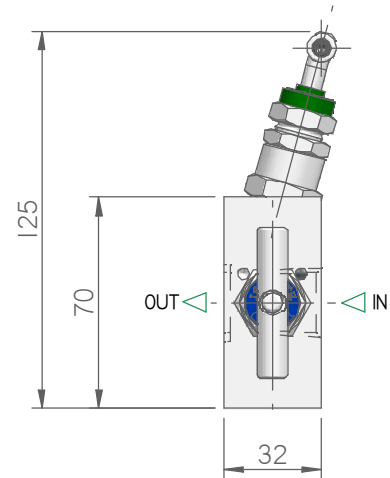
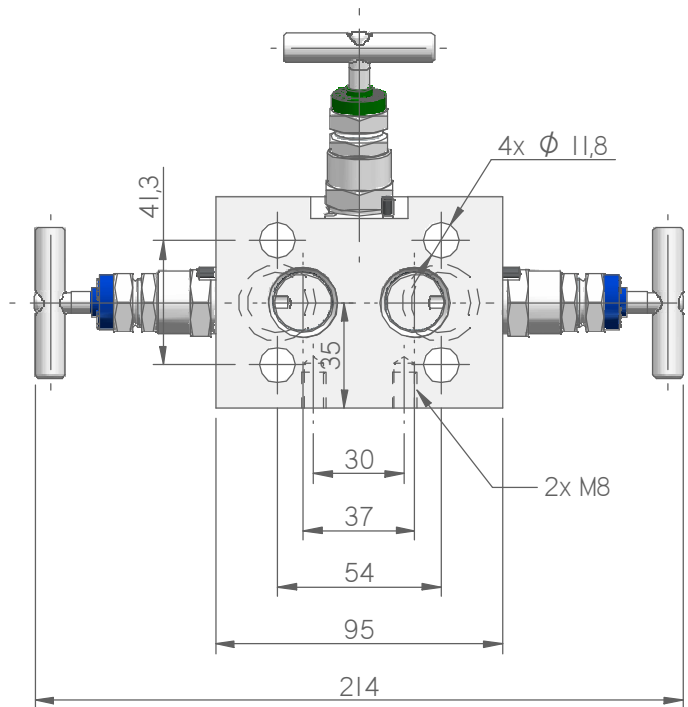
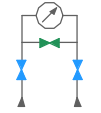


# MODEL: M341

DIRECT MOUNT MANIFOLD



Suitable for direct mounting to gauge transmitter or a differential pressure transmitter.



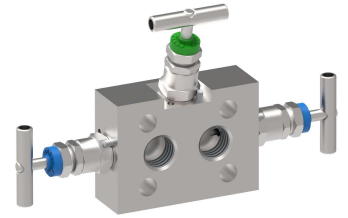
## MODEL SELECTION

MODEL	RATING	MATERIAL	PACKING	IN	OUT	VENT	CODE	WEIGH	NOTE	
M341	3K psi	AISI 316L	PTFE	1/2" NPT-F	IEC 61518/B	1/4" NPT-F	M341-03ST8NFLB	1,9 Kg	Packing material PTFE as standard max temperature 180 °C.  The dimensions shown apply only to the illustrated valve – if you need the dimensions for your individual type or should you still not find your options at all please contact the factory.	
		ASTM A105					M341-03AT8NFLB			
		F51					M341-03DT8NFLB			
		F55					M341-03ET8NFLB			
		ALLOY 400					M341-03FT8NFLB			
		C276					M341-03GT8NFLB			
		6MO					M341-03HT8NFLB			
		I625					M341-03IT8NFLB			
		6K psi					AISI 316L			M341-06ST8NFLB
							ASTM A105			M341-06AT8NFLB
	F51						M341-06DT8NFLB			
	F55						M341-06ET8NFLB			
	ALLOY 400						M341-06FT8NFLB			
	C276						M341-06GT8NFLB			
	6MO						M341-06HT8NFLB			
	I625						M341-06IT8NFLB			

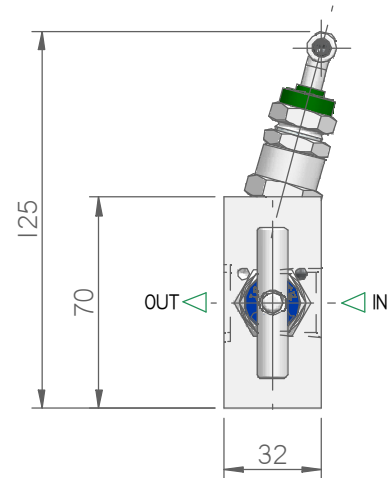
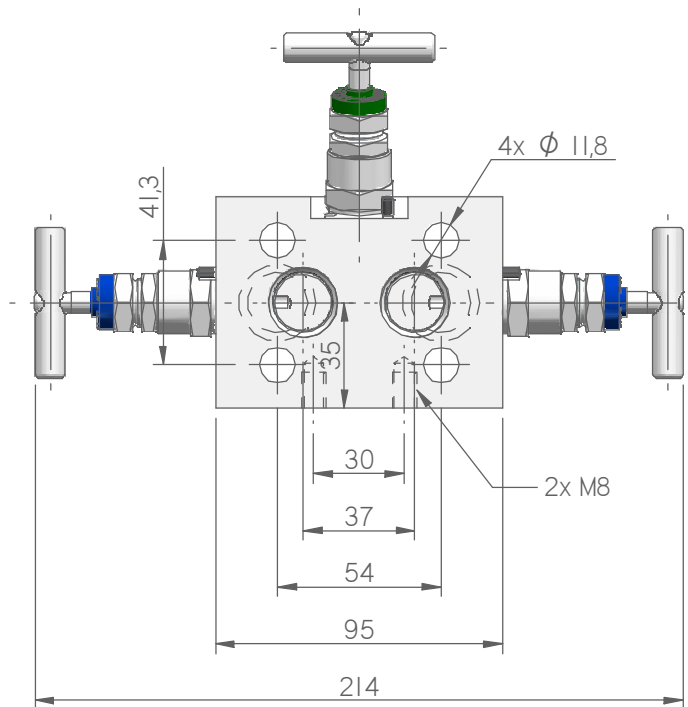
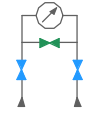
I.T.E. s.r.l. COMMITS ITSELF TO CONSTANTLY IMPROVE ITS PRODUCTS AND THEREFORE IT RESERVES THE RIGHT TO MODIFY DATA, FEATURES WITHOUT NOTICE.

# MODEL: M341

DIRECT MOUNT MANIFOLD



Suitable for direct mounting to gauge transmitter or a differential pressure transmitter.



## MODEL SELECTION

MODEL	RATING	MATERIAL	PACKING	IN	OUT	VENT	CODE	WEIGH	NOTE	
M341	3K psi	AISI 316L	GRAPHOIL	1/2" NPT-F	IEC 61518/B	1/4" NPT-F	M341-03SG8NFLB	2,1 Kg	Packing material GRAPHOIL as standard max temperature 500°C. The dimensions shown apply only to the illustrated valve – if you need the dimensions for your individual type or should you still not find your options at all please contact the factory.	
		ASTM A105					M341-03AG8NFLB			
		F51					M341-03DG8NFLB			
		F55					M341-03EG8NFLB			
		ALLOY 400					M341-03FG8NFLB			
		C276					M341-03GG8NFLB			
		6MO					M341-03HG8NFLB			
		I625					M341-03IG8NFLB			
		6K psi					AISI 316L			M341-06SG8NFLB
							ASTM A105			M341-06AG8NFLB
	F51						M341-06DG8NFLB			
	F55						M341-06EG8NFLB			
	ALLOY 400						M341-06FG8NFLB			
	C276						M341-06GG8NFLB			
	6MO						M341-06HG8NFLB			
	I625						M341-06IG8NFLB			

I.T.E. s.r.l. COMMITS ITSELF TO CONSTANTLY IMPROVE ITS PRODUCTS AND THEREFORE IT RESERVES THE RIGHT TO MODIFY DATA, FEATURES WITHOUT NOTICE.