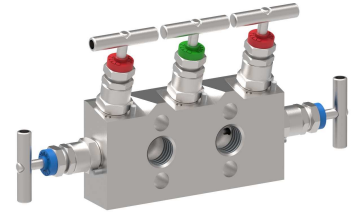
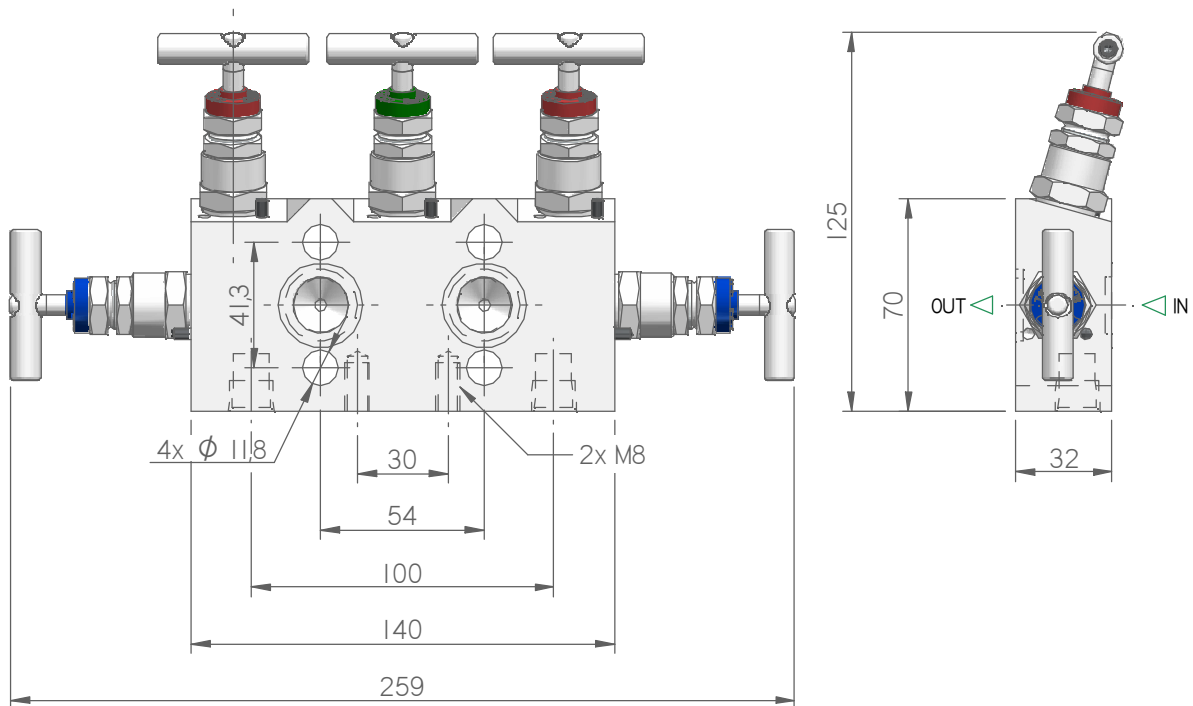
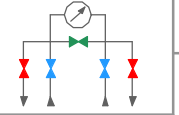


MODEL: M53

DIRECT MOUNT MANIFOLD



Suitable for direct mounting to gauge transmitter or a differential pressure transmitter.



MODEL SELECTION

| MODEL | RATING | MATERIAL | PACKING | IN | OUT | VENT | CODE | WEIGHT | NOTE |
|-------|-----------|-----------|---------|-----------|-------------|------------|-----------------|--------|--|
| M53 | 3K psi | AISI 316L | PTFE | IEC 61518 | IEC 61518/B | 1/4" NPT-F | M53-03STFLAFLB4 | 2,8 Kg | Packing material PTFE as standard max temperature 180 °C. The dimensions shown apply only to the illustrated valve – if you need the dimensions for your individual type or should you still not find your options at all please contact the factory. |
| | | ASTM A105 | | | | | M53-03ATFLAFLB4 | | |
| | | F51 | | | | | M53-03DTFLAFLB4 | | |
| | | F55 | | | | | M53-03ETFLAFLB4 | | |
| | | ALLOY 400 | | | | | M53-03FTFLAFLB4 | | |
| | | C276 | | | | | M53-03GTFLAFLB4 | | |
| | | 6MO | | | | | M53-03HTFLAFLB4 | | |
| | | I625 | | | | | M53-03ITFLAFLB4 | | |
| | | 6K psi | | | | | AISI 316L | | |
| | ASTM A105 | | | | | | M53-06ATFLAFLB4 | | |
| | F51 | | | | | | M53-06DTFLAFLB4 | | |
| | F55 | | | | | | M53-06ETFLAFLB4 | | |
| | ALLOY 400 | | | | | | M53-06FTFLAFLB4 | | |
| | C276 | | | | | | M53-06GTFLAFLB4 | | |
| | 6MO | | | | | | M53-06HTFLAFLB4 | | |
| | I625 | | | | | | M53-06ITFLAFLB4 | | |

I.T.E. s.r.l. COMMITS ITSELF TO CONSTANTLY IMPROVE ITS PRODUCTS AND THEREFORE IT RESERVES THE RIGHT TO MODIFY DATA, FEATURES WITHOUT NOTICE.

DIRECT MANIFOLD

1 2 3 4 5 6 7 8 9 10 11 12 13 14 15 16

EX

M 5 3 - 0 6 S T F L A F L B 4

MODEL

M53 DIRECT MANIFOLD 5 VLV 70x32 I/O 180° FLG/FLG WITH DRAIN

RATING

03 Serie 3000
06 Serie 6000

MATERIAL

S Aisi 316L
A A105
D F51
E F55
F Monel 400
G C276 Hastelloy
H 6 Mo/F44
I Inconel 625

PACKING

T Teflon
G Graphoil

IN

4 1/4"
6 3/8"
8 1/2"
FL FLANGED

THREAD

N NPT
I BSPP GAS (ISO 1179)
K BSPT R/RC (ISO 7)
B Butt weld
S Socket Weld
A FLANGED

OUT

FL FLANGED

FLANGED

A FLANGED ITE
B IEC 61518 - B

DRAIN

/
4 1/4 NPT

OPTIONS

/
B All component 316L
C Prove speciali
D Custom marking
E T-Bar 316L
L Lox cleaning
TI Isolate Anti-tamper
K Padlock for all anti tamper bonnet
T Mounted plug drain
KT Padlock for all T-bar bonnet