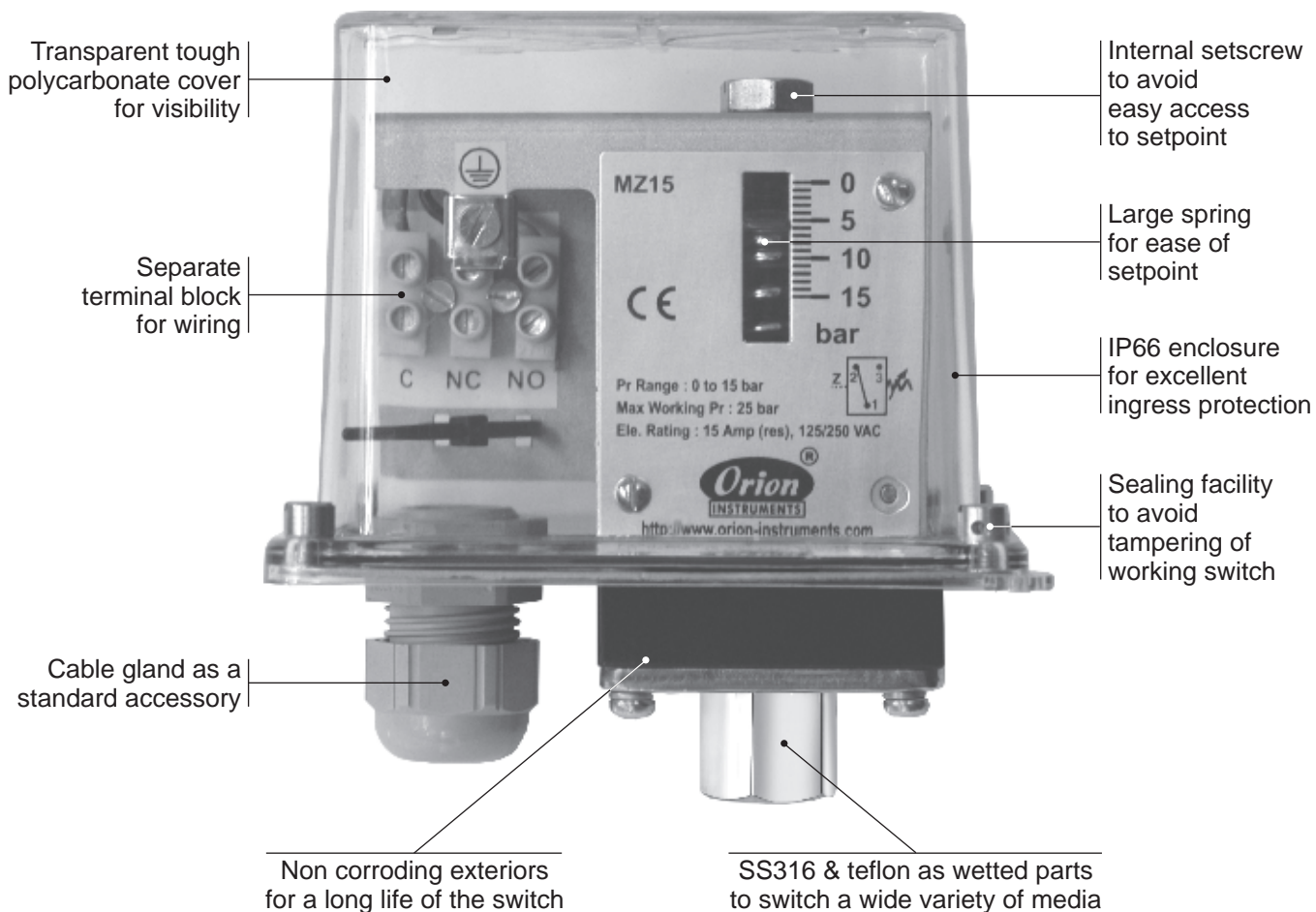


# MZ HIGH RANGE PRESSURE SWITCHES

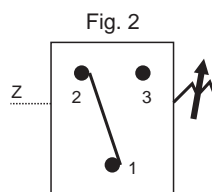


**Approximate Weight :** 0.550 Kg.

**Some Applications :**

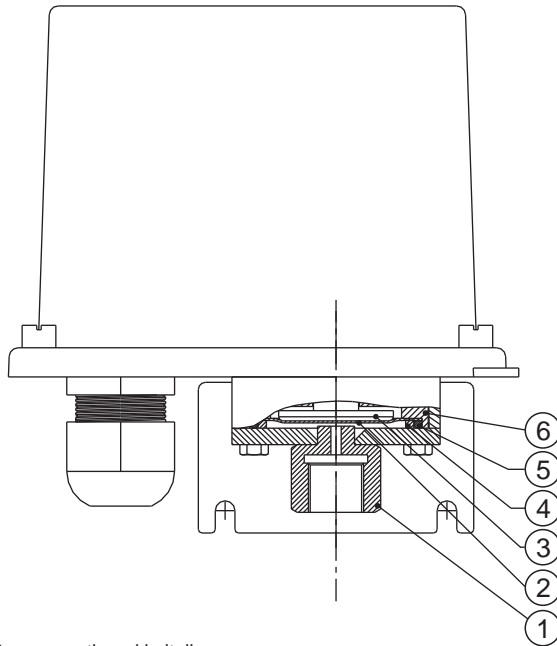
Used in humid or slightly corrosive atmosphere like jet dyeing machines, etc.

**Electrical Connection :**





## PRESSURE CAPSULE DETAILS

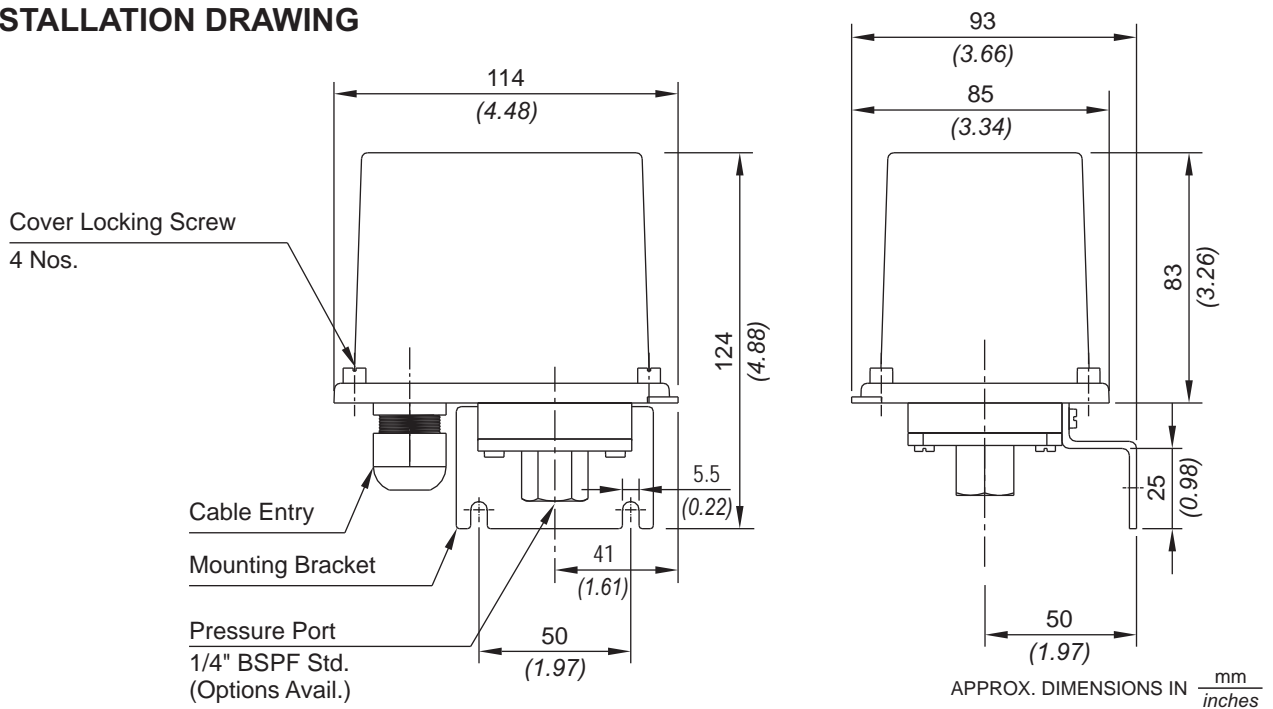


### No. Description

1. Pressure Housing (SS316)
2. Diaphragm (Teflon<sup>®</sup>)
3. Plunger
4. Steel Ring (SS316)
5. O-Ring (Teflon<sup>®</sup>)
6. Disc

Note : *wetted parts* are mentioned in italics.

## INSTALLATION DRAWING



# MZ HIGH RANGE PRESSURE SWITCHES

## RANGE SELECTION TABLE

Range Code	Range bar (psi)	Differential* bar (psi)	Maximum Working Pressure bar (psi)
		Approximate Maximum for "A8" microswitch	
LP†	0.067 - 0.213 (0.97 - 3.09)	0.05 (0.72)	5 (72.52)
LP5	0.1 - 0.5 (1.45 - 7.25)	0.10 (1.45)	5 (72.52)
H01	0.1 - 1.0 (1.45 - 14.50)	0.10 (1.45)	12 (174.05)
H02	0.1 - 1.5 (1.45 - 21.76)	0.20 (2.90)	12 (174.05)
H03	0.2 - 2.6 (2.90 - 37.71)	0.20 (2.90)	12 (174.05)
H04	0.2 - 3.6 (2.90 - 52.21)	0.20 (2.90)	12 (174.05)
H07	0.5 - 7.0 (7.25 - 101.50)	0.40 (5.80)	12 (174.05)
H10	0.5 - 10.0 (7.25 - 145.04)	0.60 (8.70)	25 (362.6)
H15	1.0 - 15.0 (14.50 - 217.56)	0.60 (8.70)	25 (362.6)
H30	5.0 - 25.0 (72.52 - 362.6)	0.80 (11.60)	35 (507.63)

\*Minimum differential increases with setpoint (Graphs available on request), results for neoprene diaphragm.

†Range not available in SS316 L diaphragm.

## HOW TO ORDER PROCESS HIGH RANGE PRESSURE SWITCHES

Group 1	Group 2	Group 3	Group 4	Group 5	Group 6	Group 7	Group 8
Non standard allocation	Model	Cable Entry Size	Switch Type	Range Code (values in bar)	Microswitch Type	Pressure Port Material / Size	Diaphragm
<input type="checkbox"/> Reserved for non-standard options not covered in catalogue. Will be given by manufacturer, only after agreement of supply details with customer.	<b>MZ</b> = Process pressure switch with tough transparent polycarbonate enclosure to IP66 as per IS2147	<b>3</b> = M20 X 1.5 cable gland	<b>PF2</b> = pressure switch, fixed differential with scale in bar <b>PF3</b> = pressure switch, fixed differential with scale in psi <b>*PA2</b> = pressure switch, adjustable differential with scale in bar <b>*PA3</b> = pressure switch, adjustable differential with scale in psi *Available only with option A9 in Group 6	<b>LP</b> = (0.067 - 0.213) <b>LP5</b> = (0.1 - 0.5) <b>H01</b> = (0.1 - 1.0) <b>H02</b> = (0.1 - 1.5) <b>H03</b> = (0.2 - 2.6) <b>H04</b> = (0.2 - 3.6) <b>H07</b> = (0.5 - 7.0) <b>H10</b> = (0.5 - 10.0) <b>H15</b> = (1.0 - 15.0) <b>H30</b> = (5.0 - 25.0)	<b>A8</b> = General purpose microswitch rated at 5A; 250 VAC <b>A7</b> = 2SPDT microswitches <b>A9</b> = General purpose microswitch rated @ 5A, 250 VAC	<b>S1</b> = SS316 / ¼" BSP(F) <b>S2</b> = SS316 / ¼" NPT(F)	<b>0</b> = Neoprene <b>1</b> = Teflon <b>2</b> = SS 316L <b>4</b> = Monel
					* Please refer note under Range Selection Table	Please refer page no. 226 & 227 for more pressure port options	

eg. A process pressure switch with fixed differential having 0.1 bar to 1 bar pressure range, with 5 Amp. microswitch, SS316 pressure housing with ¼" BSP port size & neoprene diaphragm shall be specified by

Group 1	Group 2	Group 3	Group 4	Group 5	Group 6	Group 7	Group 8
<input type="checkbox"/>	MZ	3	PF2	H01	A8	S1	0

Please specify full model number to avoid ambiguity.