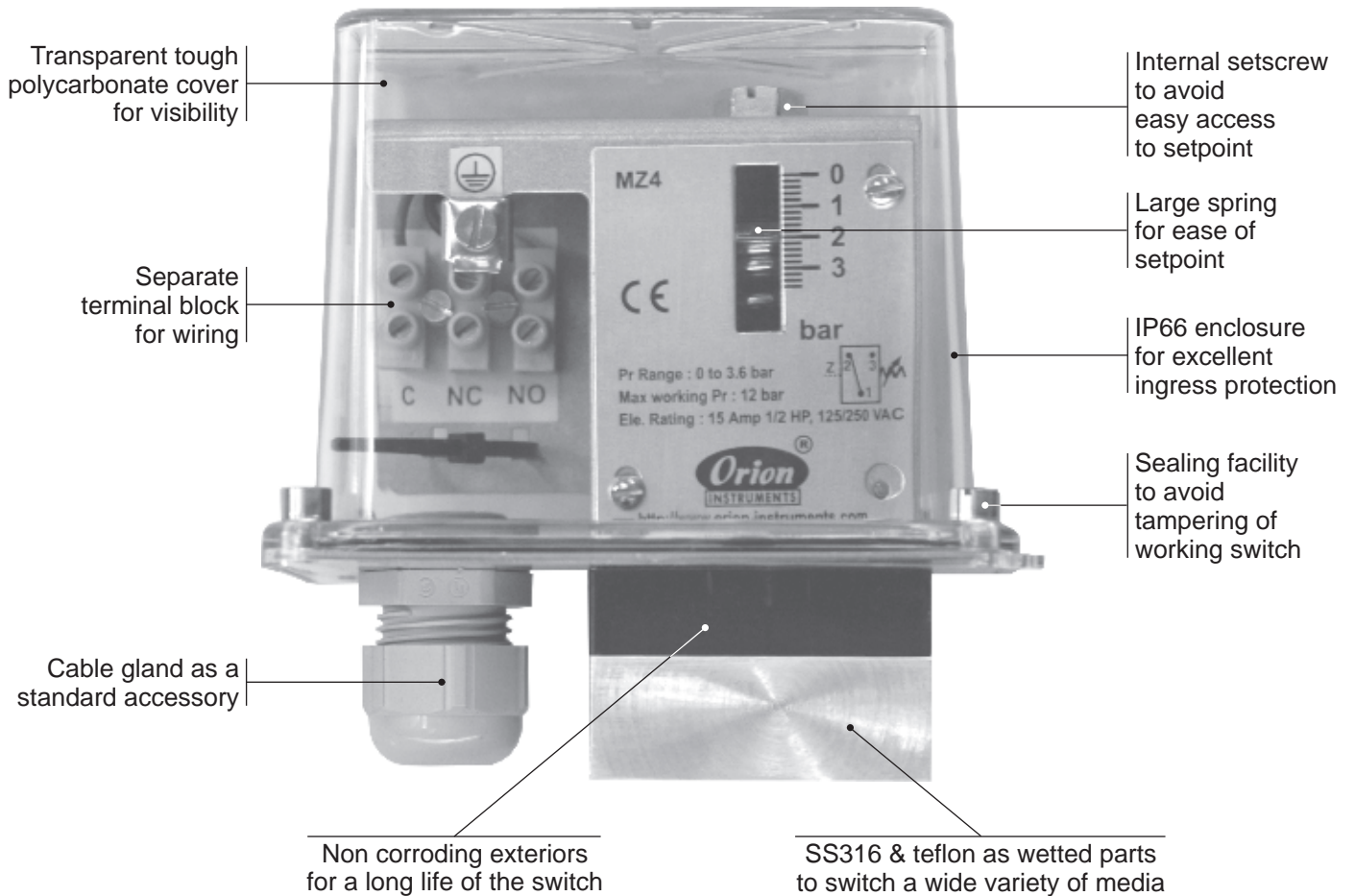


MZ HIGH PROOF HIGH RANGE PRESSURE SWITCHES

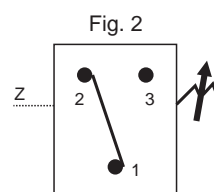


Approximate Weight : 0.900 Kg.

Some Applications :

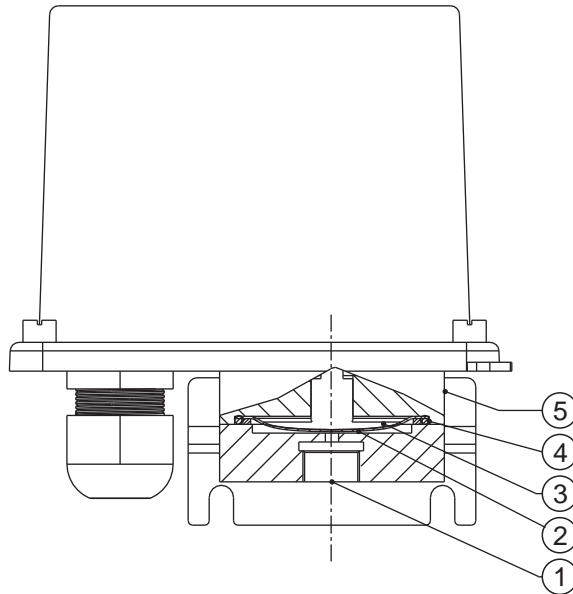
Used where low set point and high proof pressure is required like tyre moulding machines, etc.

Electrical Connection :





PRESSURE CAPSULE DETAILS

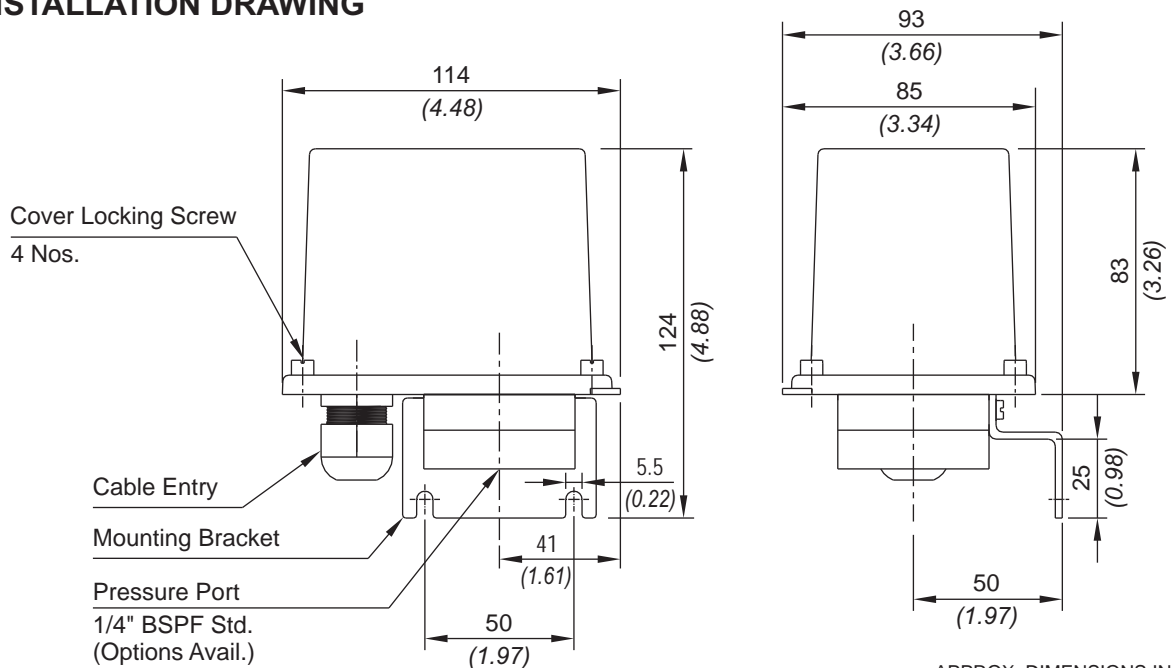


No. Description

1. Pressure Housing
2. Diaphragm
3. Plunger
4. O-Ring
5. Disc

Note : *wetted parts* are mentioned in italics.

INSTALLATION DRAWING



APPROX. DIMENSIONS IN $\frac{\text{mm}}{\text{inches}}$

RANGE SELECTION TABLE

Range Code	Range bar (psi)	Differential* bar (psi)	Maximum Working Pressure bar (psi)
		Approximate Maximum for "A8" microswitch	
PP5	0.1 - 0.5 (1.45 - 7.25)	0.20 (2.90)	70 (1015.26)
P01	0.1 - 1.0 (1.45 - 14.50)	0.20 (2.90)	70 (1015.26)
P02	0.1 - 1.5 (1.45 - 21.76)	0.40 (5.80)	70 (1015.26)
P03	0.2 - 2.6 (2.90 - 37.71)	0.40 (5.80)	70 (1015.26)
P04	0.2 - 3.6 (2.90 - 52.21)	0.50 (7.25)	70 (1015.26)
P07	0.5 - 7.0 (7.25 - 101.53)	1.00 (14.50)	70 (1015.26)
P10	0.5 - 10.0 (7.25 - 145.04)	1.00 (14.50)	70 (1015.26)
P15	1.0 - 15.0 (14.50 - 217.56)	1.5 (21.76)	70 (1015.26)
P30	5.0 - 25.0 (72.52 - 362.6)	1.5 (21.76)	70 (1015.26)

*Minimum differential increases with setpoint (Graphs available on request), results for neoprene diaphragm.

HOW TO ORDER PROCESS HIGH PROOF HIGH RANGE PRESSURE SWITCHES

Group 1	Group 2	Group 3	Group 4	Group 5	Group 6	Group 7	Group 8
Non standard allocation	Model	Cable Entry Size	Switch Type	Range Code (values in bar)	Microswitch Type	Pressure Port Material / Size	Diaphragm
<input type="checkbox"/> Reserved for non-standard options not covered in catalogue. Will be given by manufacturer, only after agreement of supply details with customer.	MZ = Process pressure switch with tough transparent polycarbonate enclosure to IP66 as per IS2147	3 = M20 X 1.5 cable gland	PF2 = pressure switch, fixed differential with scale PF3 = pressure switch, fixed differential with scale in psi PA2* = pressure switch, adjustable differential with scale in bar PA3* = pressure switch, adjustable differential with scale in psi * Available only with option A9 in Group 6	PP5 = (0.1 - 0.5) P01 = (0.1 - 1.0) P02 = (0.1 - 1.5) P03 = (0.2 - 2.6) P04 = (0.2 - 3.6) P07 = (0.5 - 7.0) P10 = (0.5 - 10.0) P15 = (1.0 - 15.0) P30 = (5.0 - 25.0)	A8 = General purpose microswitch rated at 5A; 250 VAC A7 = 2SPDT microswitches A9 = General purpose microswitch rated @ 5A, 250 VAC	S1 = SS316 / ¼" BSP(F) S2 = SS316 / ¼" NPT(F)	0 = Neoprene 1 = Teflon 2 = SS 316L

eg. A process pressure switch with fixed differential having 0.1 bar to 1 bar pressure range, with 5 Amp. microswitch, SS316 pressure housing with ¼" BSP port size & neoprene diaphragm shall be specified by

Group 1	Group 2	Group 3	Group 4	Group 5	Group 6	Group 7	Group 8
<input type="checkbox"/>	MZ	3	PF2	P01	A8	S1	0

Please specify full model number to avoid ambiguity.

HIGH PROOF HIGH RANGE PRESSURE SWITCHES

MZ