



Colima TOR S Series Magnetic level switch

7A.410-E
Issue 3 - 2012

PandID®B.V. - t: +31 174 280 371 - f: +31 174 280 853 - i: www.pandid.nl - e: info@pandid.nl

Description

The TOR S magnetic level switch is recommended for application in ship bilges, to control wastewater, sea water and water containing oil residue. It can also be used in tanks that are difficult to access and where the presence of liquids must be reported. Equipped with reed switch contacts, it allows the control of one operation point.
Several level switches installed locally in the ballast tanks and are used to remotely report the achievement of various filling levels. In addition, when suitably connected to each other, several instruments carry out the start and stopping action of the pumps.

Regulations and certifications

RINA, Lloyd Register and M.M.I. approved.

Assembly

TOR S level switch is mounted on walls by ass bracket.

Functioning principle

A magnetic contact, connected to an NFO cable, is contained in a sealer tube in which a float flows. The contact and the cable are fully weather-proof.
When reaching the liquid, the float level acts magnetically upon contact quickly.

Protection degree

IP68
Shutter 30 metres

Electrical contacts

SPST SPDT
DPDT (two simultaneous SPDT contacts)
One operation point
For choice, consult technical specifications 7A.401-E.

Cable

NFO Cable
Sealed for immersing and resistant to contact with sea water, traces of paint, thinners and fuels.



Type TOR S with Perspex protection, Buna N float, NFO cable

Wetted parts

Fixing rod	S
AISI 304L	1
AISI 316L	2

Protection cover		P
Perspex	1	AISI 304L 2
		AISI 316L 3

Float Ø 44		G
Buna N	A	316LSS B

Options			
Without	0	Test devices	1

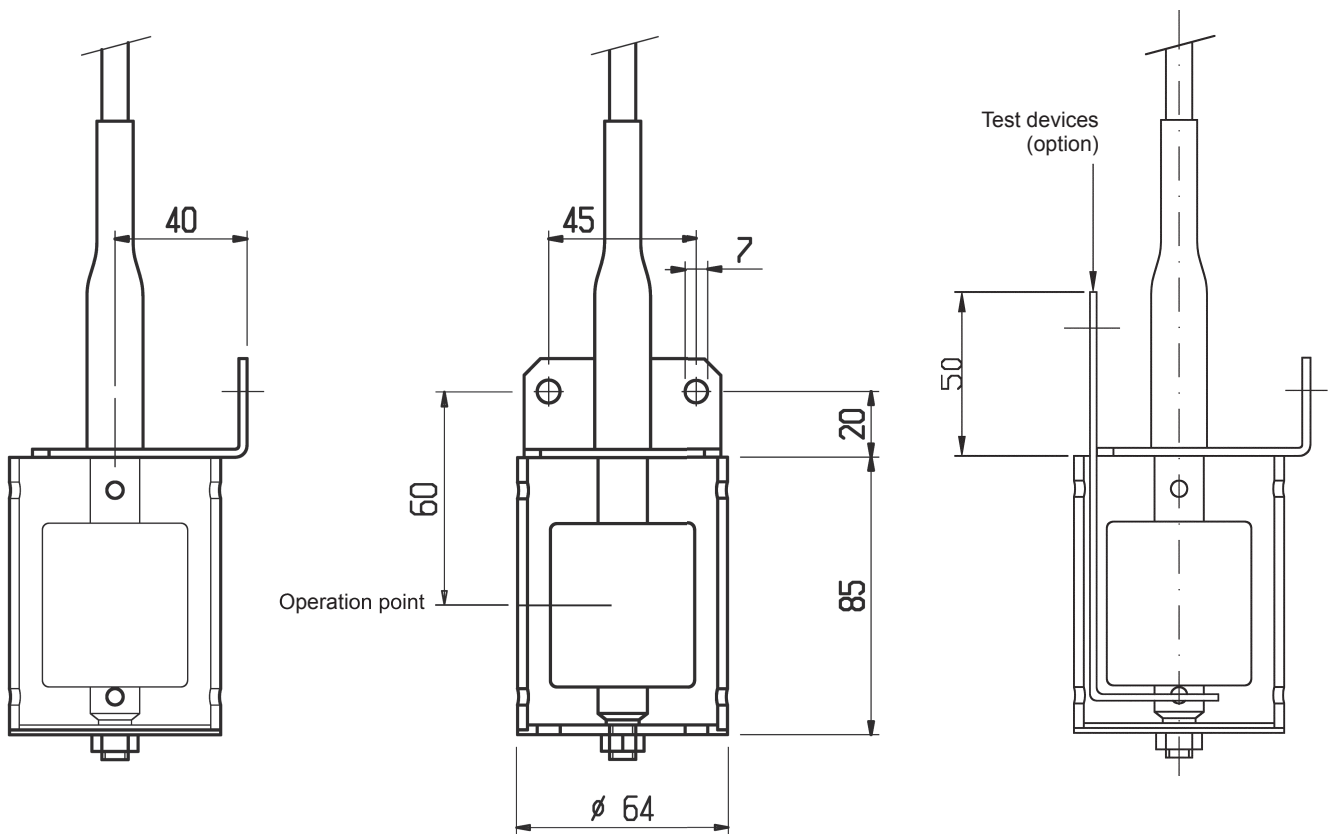
Length of cable

Cable NFO	2 m	2	5 m	5
-----------	-----	---	-----	---

Other measurements available on request

Design conditions

TMA	-	Maximum allowable temperature	-20 +80°C
PMA	-	Maximum allowable pressure	< 16 bar g
		Specific gravity of fluid	> 0,6 kg/l
		Differential	fixed 8 mm



Type TOR S with Perspex protection, Buna N float, NFO cable

How to request and order

Each unit is identified by a unique alphanumeric code that defines the manufacturing characteristics that best suits the application. Please confirm the following information before commencement of the product configuration.

Range	Colima	Colima
Model	T TOR	T
Type	S S	S
Fixing rod material	1 304L Stainless steel 2 316L Stainless steel	1
Length of cable	2 2 m 5 5 m	2
Float Ø 44	A Buna N B 316L Stainless steel	A
Protection cover	1 Perspex 2 304L Stainless steel 3 316L Stainless steel	1
Electrical equipment	1 SPDT 2 DPDT	1
Options	0 Without 1 Test devices	0

How to order example

1 off Colima T-S-1-2-A-1-1-0.

Spare parts

No part of the instrument can be provided as a spare part. In the event of breakage, the full instrument must be purchased.