

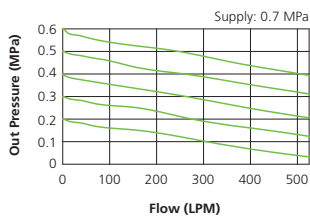
# Air Filter Regulators YT-200 / YT-205 / YT-220 / YT-225

## Design features

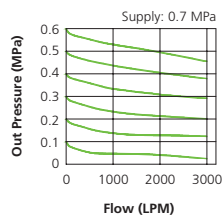
- **Stable Output and repeatability.** Provides constant control under variable flow rates and supply pressures.
- **Relief flow capability.** Discharges pressure if outer pressure is higher than set pressure.
- **Light weight and compact size.** Reduces installation costs.
- **5 micron filter.** Protects pneumatic instruments from dirty air.
- **Manual or Auto Draining Option**



YT-200 / YT-205 Flow (LPM)



YT-220 / YT-225 Flow (LPM)



Item Type	YT-200	YT-220	YT-205	YT-225
Max. Supply Pressure	1.7 MPa (17 bar)			
Max. Output Pressure	0.42 MPa (A Type), 0.84 MPa (B Type)			
Air Connection	PT (NPT) 1/4	PT (NPT) 1/2	NPT 1/4	NPT 1/2
Gauge Connection	PT (NPT) 1/4	PT (NPT) 1/4	NPT 1/4	NPT 1/4
Operating Temp.	-20 - 70°C (-4 - 158°F) (Standard type)			
Min. Filtering Size	5 micron			
Material	Aluminium Diecasting		Stainless Steel 316	
Weight	0.6 kg (1.7 lb)	0.86 kg (1.89 lb)	1.4 kg (3.0 lb)	2.1 kg (4.6 lb)

## Product Code

YT-200 - A - N - 0 - 1 - 0

### Model

YT-200 = Aluminum 1/4"  
 YT-205 = Stainless Steel 1/4"  
 YT-220 = Aluminum 1/2"  
 YT-225 = Stainless Steel 1/2"

### Adjustable Range

A = 0 - 0.42 MPa  
 B = 0 - 0.84 MPa

### Connection Type

P = PT  
 N = NPT

### Gauge

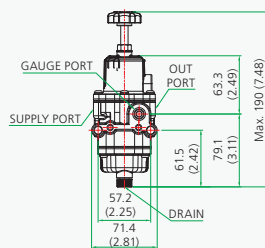
0 = None  
 1 = 0 - 0.4 MPa  
 2 = 0 - 1.0 MPa

### Operating Temp.

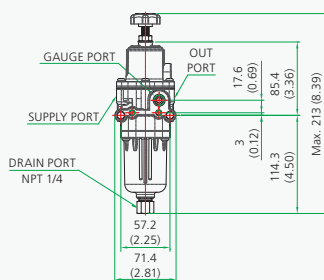
1 = -20 - 70 °C  
 2 = -20 - 120 °C  
 3 = -40 - 70 °C

### Option

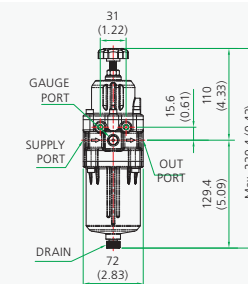
0 = Manual drain  
 1 = Auto drain



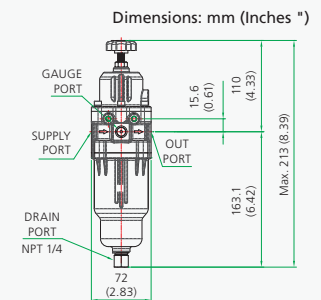
YT-200/205 Manual drain



YT-200/205 Auto drain



YT-220/225 Manual drain



YT-220/225 Auto drain