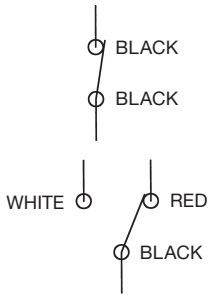
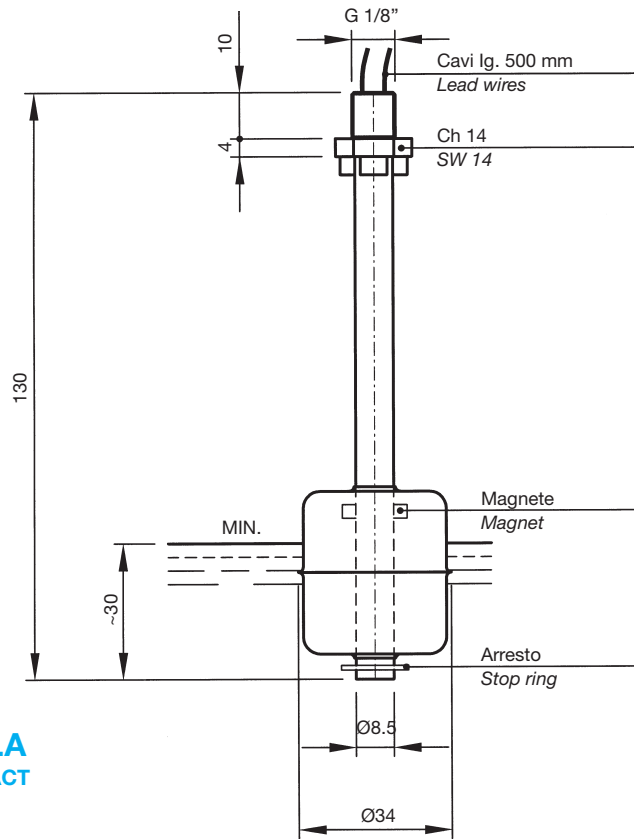
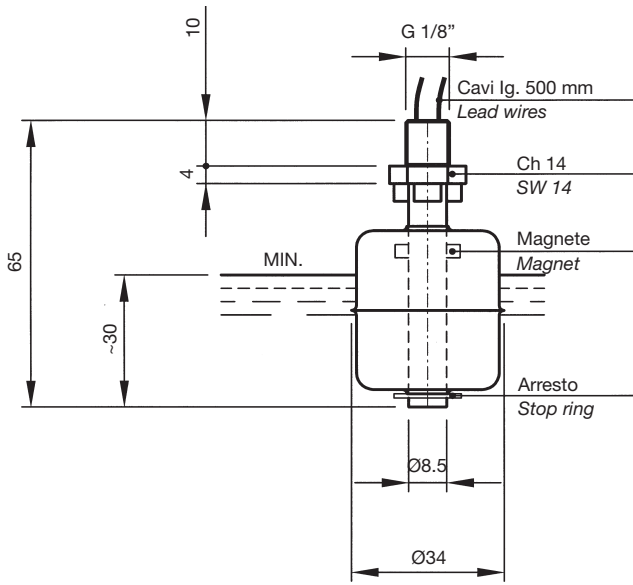
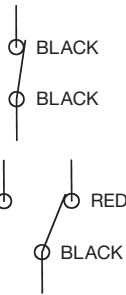


Float level switches - Nontoxic

LEM6...A



LEM6CA
NC CONTACT



LEM6LA
NC CONTACT

LEM6CASC
SPDT CONTACT

LEM6LASC
SPDT CONTACT

USE

This series of electromagnetic level switches has been designed to check the minimum or maximum level of a liquid in a tank and send an electric signal to a remote board in case the fluid goes over or under the set levels. Ideal for food and beverage processing. These level switches should be fixed vertically on the cover of the tank, with the float at least 50 mm far from metal walls.

COMMON SPECIFICATIONS

Temperature range	-10°+80°C
Maximum pressure	5 Bar
Fluid specific gravity	≥ 0,7
Max. fluid viscosity	150 cSt
Material	Nontoxic white body, 316 stainless steel float, sealed manufacture

NC CONTACT EXECUTION

Switching capacity in DC	10 W
Switching capacity in AC	10 VA
Current	0,5A (resistive)
Voltage	220 V - 50 Hz
Breakdown voltage	300 Vdc
Capacitance	0,2 pF
Insulation resistance	10 ¹⁰ Ohm

SPDT AND NO CONTACT EXECUTION

Switching capacity in DC	3 W
Switching capacity in AC	3 VA
Current	0,25A (resistive)
Voltage	175 Vdc
Breakdown voltage	200 Vdc
Capacitance	1 pF
Insulation resistance	10 ⁹ Ohm

WITH INDUCTIVE LOADS A PROTECTION CIRCUIT IS TO BE USED.