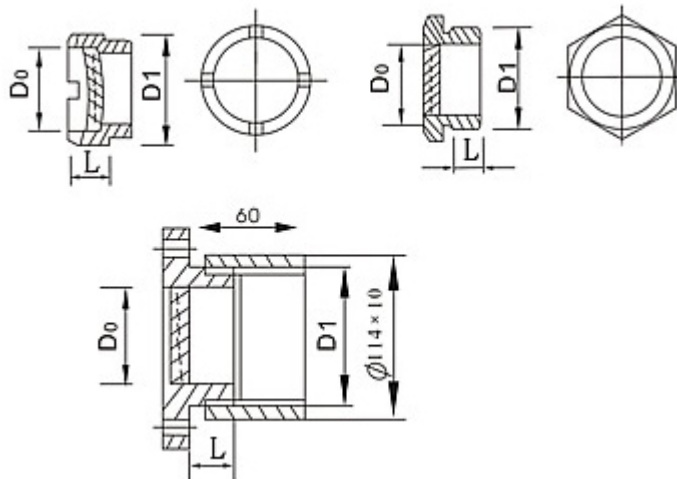


Threaded Type Sight Glasses



Main technical parameter

Use the pressure: 1.6、 3.2、 6.0、 12.0 Mpa

Use temperature: -40° to $+250^{\circ}\text{C}$

The whorl type looks at the mirror: -40°C to 80°C

In charge of awl whorl is it is it detest the oxygen type sealed pharmaceutical

of whorl with PST to mix to seal 567

S: Express six mao L: whorl expressing type FZG(R): Show that is in charge of the awl

whorl F: express the flange

Threaded Type Sight Glasses

PART NO	The size of type	Window Diameter DO	Connected Screw		Remarks
			Thread Dimension(mm) D1	Thread Length(mm) L	
308001	JSL-14	14	1/2NPT	10	/
308002	JSL-19	19	3/4NPT	15	/
308003	JSL-24	24	1NPT	19	/
308004	JSL-S14	14	3/4-16UNF	9	/
308005	JSL-S16	16	M20×1.5	10	/
308006	JSL-S(R)16	16	ZG3/4	15	/
308007	JSL-L19	19	1-1/8-12UNF	6.5	/
308008	JSL-S20	20	M24×1	7	/
308009	JSL-S20	20	M30×2	12	/
3080010	JSL-S20	20	M26×1.5	12	/
3080011	JSL-S(R)20	20	R1、1"	20	/
3080012	JSL-S20	20	1-5/16-12UNF	10	/
3080013	JSL-20	20	M33×1.5	15	/
3080014	JSL-S21	21	1-1/4-11UNF	17	/
3080015	JSL-S22	22	1-1/8-18UNF	11	/
3080016	JSL-L25	25	1-1/2-18UNF	8	/
3080017	JSL-S28	28	M36×1.5	12	/
3080018	JSL-S30	30	NPT1-1/4	16	/
3080019	JSL-S32	32	1-7/8-12UNF	13	/
3080020	JSL-L39	39	M52×2	16	/
3080021	JSL-L39	39	M52×2	16	/
3080022	JSL-S(R)45	45	R2、2"	16	/
3080023	JSL-S45	45	M60×2	16	/
3080024	JSL-FZG50	50	(58)ZG1/2	15	Barrelφ68×6
3080025	JSL-FZG80	80	(100)ZG1/2	18	Barrelφ112×9
3080026	JSL-FZG100	100	(114)ZG1/2	18	Barrelφ126×8
3080027	JSL-L-50	50	/	/	Even body
3080028	JSL-L-80	80	/	/	Even body