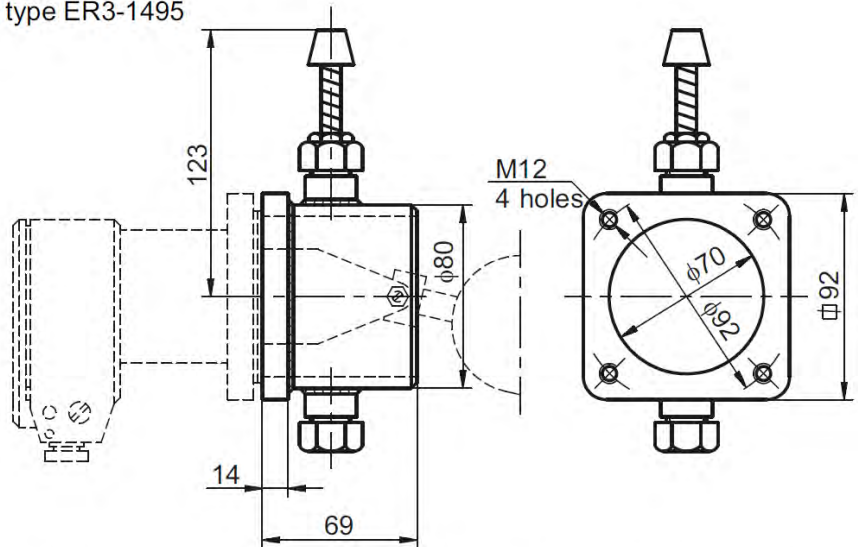


# Equipment For Float Level Switches

## TESTING EQUIPMENT

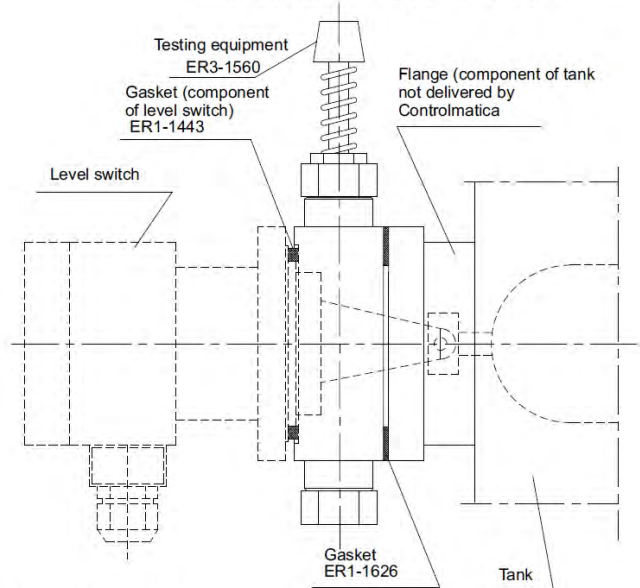
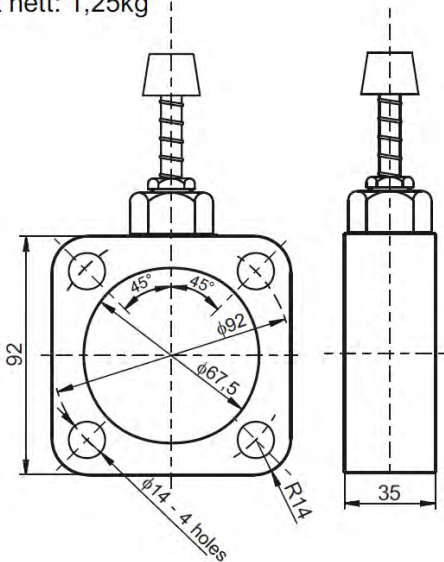
Testing equipment for permanent assembling, type ER3-1495  
(for welding)  
MATERIAL: steel St3s  
weight nett: 1,25kg

Testing equipment is designed for mechanical testing of electric casings / housings, without disassembling switch off the tank.  
Testing equipment ER3-1495 and ER3-1560 cooperate with levl switch type ERH-01,03...



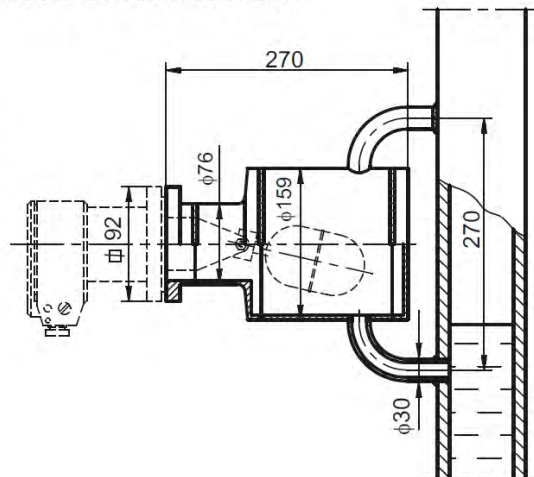
Testing equipment for separable assembling, type ER3-1560  
(for screwing)  
MATERIAL: steel St3s  
weight nett: 1,25kg

Example of building of level switch type ERH- and equipment type ER3-1560



## ASSEMBLY CHAMBER

The assembly chamber ER3-1631 is designed for mounting of the level switches on pipelines and small-sized tanks.  
MATERIAL: boiler tube type R35 and steel St3s  
weight nett: 6,5 kg



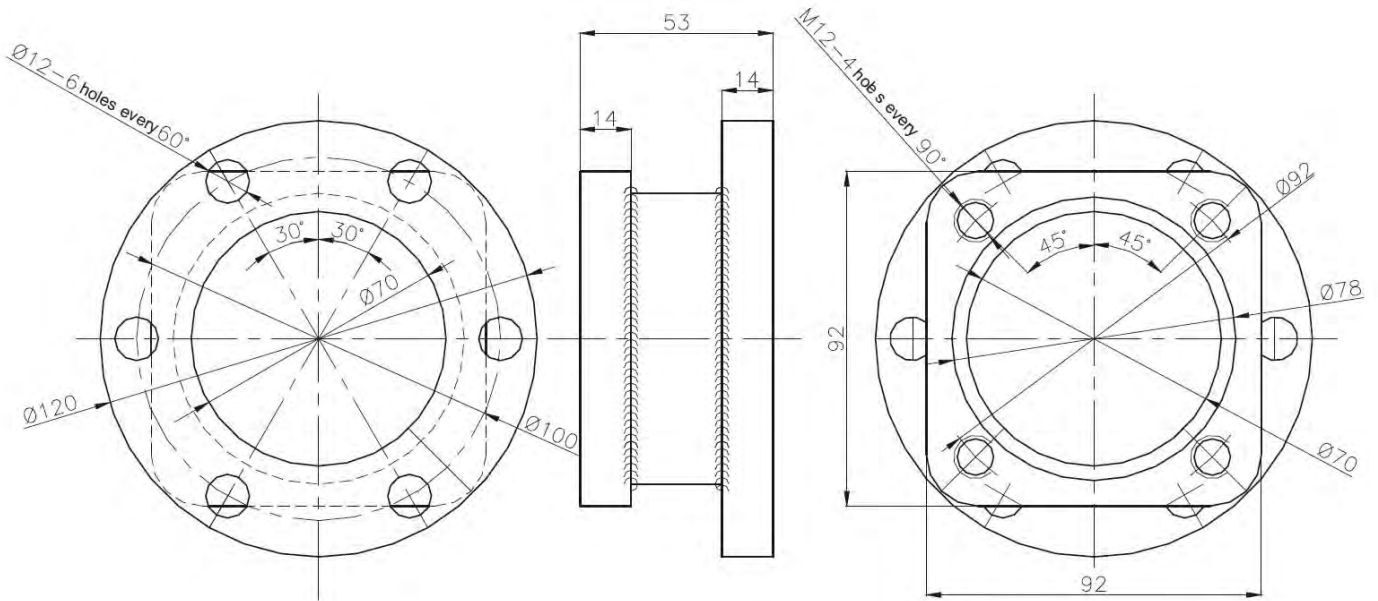


# Equipment For Float Level Switches

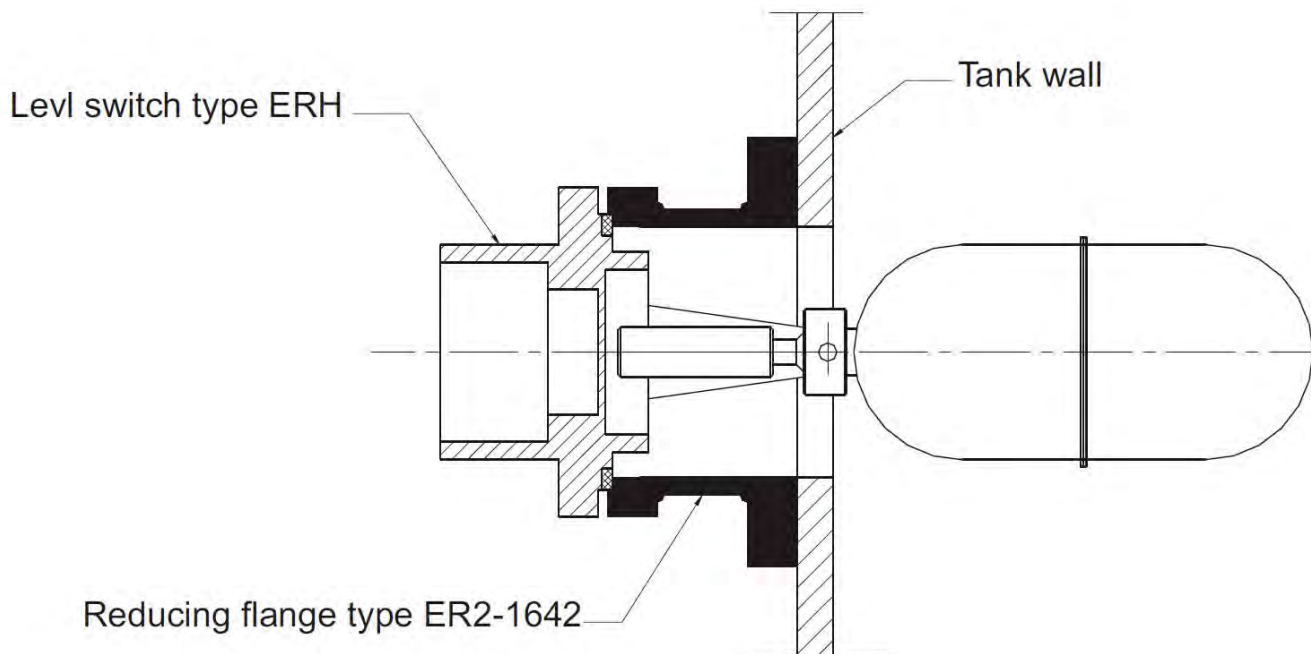
## REDUCING FLANGE

Reducing flange type ER2-1642 may be used as reduction of flange at dimension 92 x 92 for level switches: ERH-...-04; ERH-...-06; ERH-...-07; ERH-...-16.

### DIMENSION DRAWING OF REDUCING FLANGE



### FLANGE CONNECTION WITH LEVEL SWITCH

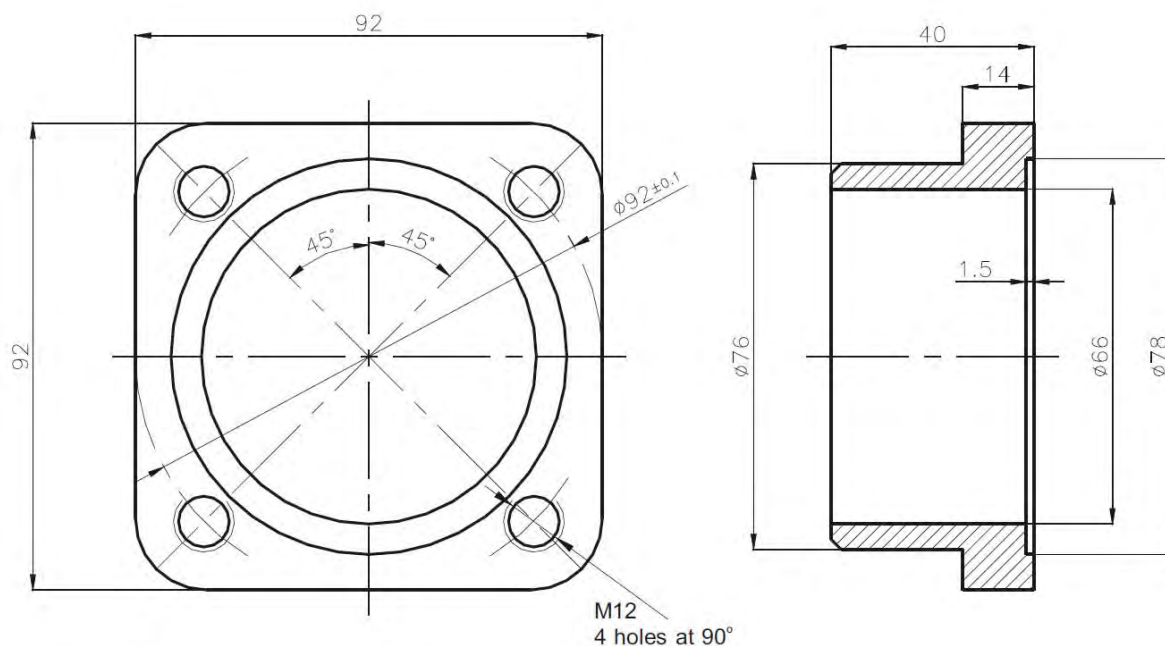


# Equipment For Float Level Switches

## COUNTER FLANGE

Counterflange type ER2-1646 is used for assembly on wall of the tank. It may be used for level switches ERH-...-04; ERH-...-06; ERH-...-07; ERH-...-16. Assembly parts are delivered with counterflange.

### DIMENSIONED DRAWING OF COUNTERFLANGE



Counterflange type	Material
ER2-1646-1	St3S
ER2-1646-2	1H18N9T

### TECHNICAL DETAILS

Max. pressure working: 4 MPa

### ORDERING

One should give full product name and equipment type symbol in the order, e.g. Testing equipment type ER3-1560

The right of introducing design changes in the product, without deteriorating of its operation parameters, is reserved.