

# Digital indicator with relay outputs PMT-920

- ✓ Input Pt100, Pt500, Pt1000
- ✓ 2 settable relay outputs: 1 A, 250 V AC
- ✓ Power supply 85...260 v AC/DC



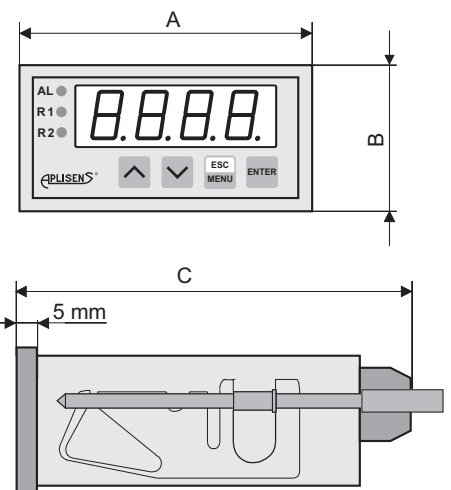
## Functions and use

Programmable indicator PMT-920 is applicable to cooperation with the temperature sensors. Indicator works with resistance sensor Pt (Pt100, Pt500, Pt1000). PMT-920 can be connected with 2-, 3- or 4- wire sensors. Indicator recognize 3- and 4- wire sensors and compensate line resistance automatically. Two alarm values controlling the relay outputs can be programmed. Diodes on the front of the indicator indicate the exceeding of the alarm values. The relay outputs have a pair of operating contacts.

PMT-920 meters enables the following parameters to be programmed:

- ◆ level and hysteresis of action of relays;
- ◆ state of contact during alarm;
- ◆ password restricting access to the programming menu;
- ◆ display filtering level.
- ◆ color of display (green or red).

## External dimensions



(A=72mm , B=36mm , C=95mm)  
Dimensions of panel cut-out 67mm × 32,5mm

**Input signal**  
**Indication range**  
**Display error**  
**Resolution**

**Technical data**  
Pt100, Pt500, Pt1000  
-100...600°C  
0,25% ± 1 digit  
0,1°C

**Relay outputs**

2  
1 A, 250 V AC, cosφ=1

**Power supply**

85...260V AC/DC

**Integrated power supply:** 24 V DC stab., max. 100 mA

**Operating temperature** 0...50°C (special version -20...50°C)

**Storage temperature** -10...70°C (special version -20...70°C)

**Display size:** LED 4x13mm

**Casing** panel type

IP 40 (from the front)  
IP 20 (from the terminals)

## Ordering procedure

PMT-920 / \_\_\_\_\_

Special version:  
-20°C - operating and storage  
temperature starts from -20°C

## Wiring diagram

