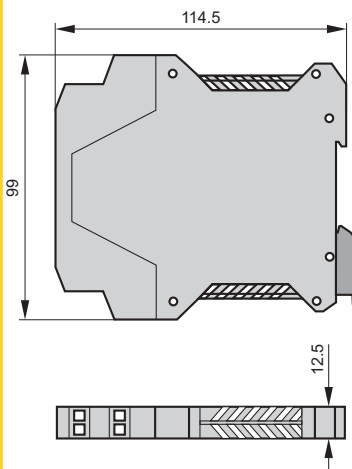


# Isolator/signal converter SP-11



- ✓ Single circuit or dual circuit version in 12,5 mm wide casing
- ✓ Opto-electronic galvanic separation (IN-OUT)
- ✓ Ability to select input signal
- ✓ 9...36 V power supply in the output signal loop
- ✓ Casing can be fitted on a standard rail (TS35)



### Applications and functions

The SP-11 signal isolator provides galvanic isolation of an input current or voltage signal and converts it, through a separation system into an output signal 4...20 mA with a two-wire power supply in the output signal loop.

The device is typically used to provide galvanic isolation between the measurement circuits installed on an object, and the main section.

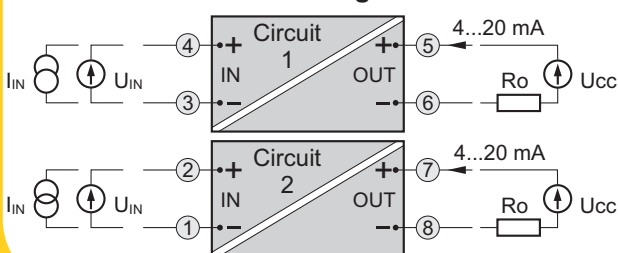
### Configuration, calibration

The user can use switches to configure input and output settings for the following signals

### Technical parameters

- **Input parameters**
  - Input signal (selected by switch)**
  - 0...20 mA, 4...20 mA, 0...5mA, 1...5mA,
  - 0...10 V, 2...10V
  - Input resistance**
  - ≥ 50 kΩ (voltage input) / 20 Ω (current input)
- **Output parameters**
  - Output signal:** 4...20 mA
  - Load resistance:** 0...500 Ω
- **Galvanic separation:** opto-electronic
  - Strength test parameters**
  - 1,5 kV AC, 50 Hz, 1 min
- **Dynamic characteristics**
  - Transmission band:** 5 Hz (3 dB)
- **Power supply**
  - Supply voltage:** 9...36 V
- **Conditions of normal use**
  - Ambient temperature:** 5...60°C
  - Relative humidity:** 30...80%
- **Casing**
  - Type:** UEGM 22.5 (PHOENIX)
  - Ingress protection rating:** IP20
- **Weight:** 0,1 kg
- **Conversion errors**
  - Accuracy:** ≤ ±0,16%
  - Typically, the converter is set for the range 4...20 mA / 4...20 mA. Setting of a different range will lower the class of the converter to 0,25% (tuning is possible using trimmers accessible from the front plate).

### Electrical diagram



### Ordering procedure

