

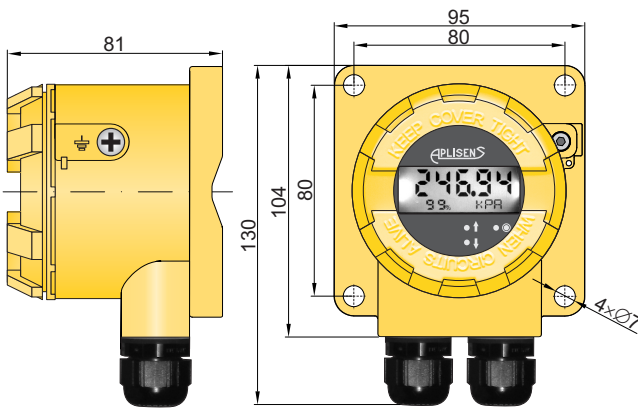
Display WW-11ALW



- ✓ Backlight display 5 × 10 mm
- ✓ Current input 4...20 mA
- ✓ Aluminum, wall or pipe mounted casing
- ✓ IP66
- ✓ Intrinsic safety certificate

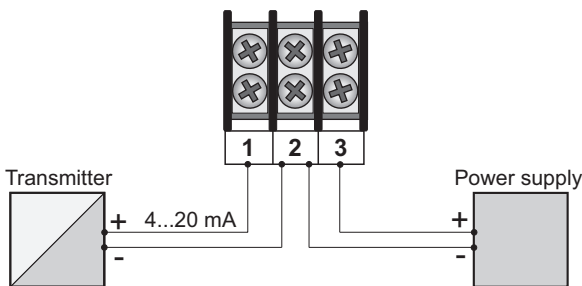
Application and function

The **WW-11ALW** digital indicator is designed to be used with any device with a 4...20 mA. The WW-11ALW has a configurable range of readings from -99999 to 99999. It has a display with 10 mm high figures. The position of the decimal point is also configurable. In addition display shows units of measured value and value of current in current loop or percentage of measuring range. Display can be mounted directly on wall or on Ø35...Ø65mm The indicator does not require an external power supply.



Technical data

Input signal	4 ÷ 20 mA
Display range	-99999...99999
Display error	0,2% ± 1 digit
Voltage drop	3 V
Additional voltage drop when backlight is on	3 V
Ambient temperature	-30...80°C
Ingress protection class	IP66 special version – IP67



Electrical diagram

Ordering procedure

WW-11ALW / _____

Options: **IP67**, **Ex**, **Ex(Da)**, **PP**

IP67 - ingress protection class IP67

Ex - Intrinsic Safety version

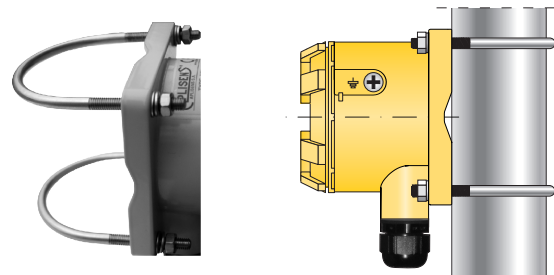
⊕ II 2G Ex ia IIC T4 Gb

Ex(Da) - Intrinsic Safety version

⊕ II 2G Ex ia IIC T4 Gb
⊕ II 1D Ex ia IIIIC T110°C Da

PP - version for transmitters with capillary in cable
(not available in Ex and Ex(Da) version)

Factory settings: range: **0...100,00**; unit: %; current value in measuring loop **4...20 mA**



Mounting bracket for for mounting WW-11ALW on vertical or horizontal pipe Ø35...Ø65

Ordering code: Mounting bracket **WW-11ALW**