

Power supply ZL-24-08

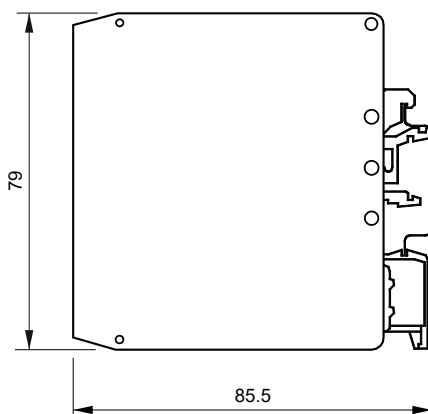
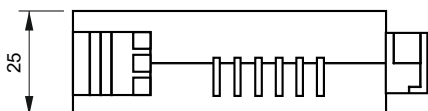


- ✓ Maximum output current 800 mA
- ✓ High energy efficiency
- ✓ Indication of the presence of output voltage
- ✓ Permanently resistant to short circuiting and excess voltage
- ✓ Overvoltage protection
- ✓ Casing can be fitted on a standard rail (TS35, TS32)

Applications and functions

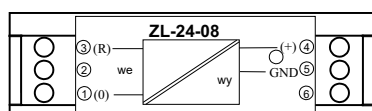
The ZL-24-08 power supply is typically used with a 230 V, 50 Hz AC network supply to power devices requiring direct current (output voltage in the range 5 ÷ 48 V, standard value 24 V).

The ZL-24-08 is typically used to power automatic devices requiring a 24 V DC power supply.



Technical parameters

| | |
|--|---|
| Input voltage | 230 V, 50 Hz (+15%, -20%) |
| Input current | ≤ 100 mA |
| Output voltage | 24 ± 1,2 V DC (special versions: 5 ÷ 48 V) |
| Maximum load current | 0,8 A |
| Constant load current | 0,1...0.5 A |
| Output power | ≤ 20 W |
| Galvanic separation | pulse transformer |
| Strength test parameters | 1,5 kV AC, 50 Hz, 1 min |
| Effect of load fluctuations | ≤ 5% / 350 mA |
| Effect of supply voltage fluctuations | ≤ 2% |
| Ambient temperature | 5...60°C |
| Casing | UEGM 25 (PHOENIX) |
| Ingress protection rating | IP20 |
| Weight | 0,25 kg |



View of front plate

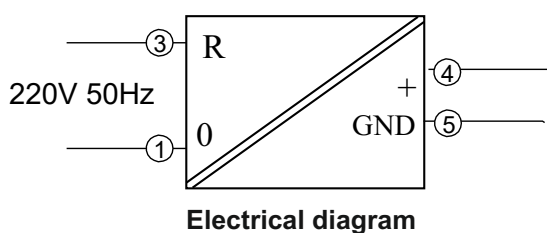
NOTE: when installing, always ensure a sufficient gap between the power supply and other devices to enable heat to escape. The minimum distance from the side walls of the power supply is 15 mm.

Ordering procedure

Standard version: **ZL-24-08**

Special version: **ZL-....-08**

Output voltage (value from 5 to 48 V)



Electrical diagram