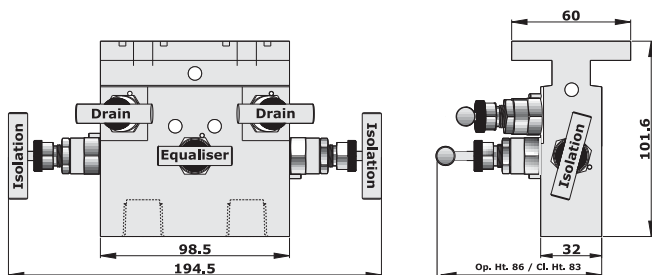
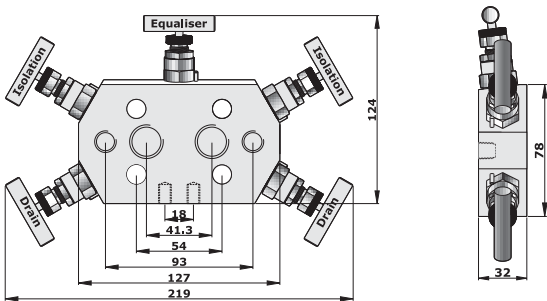
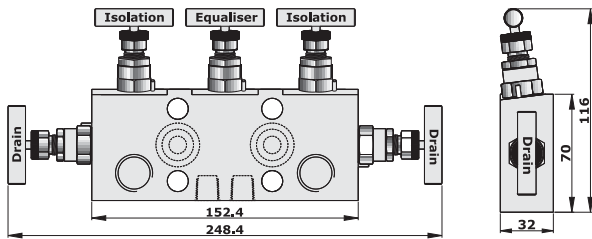
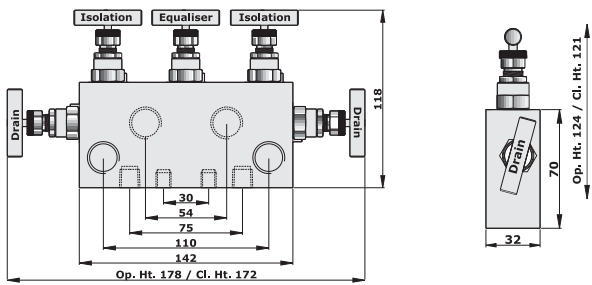
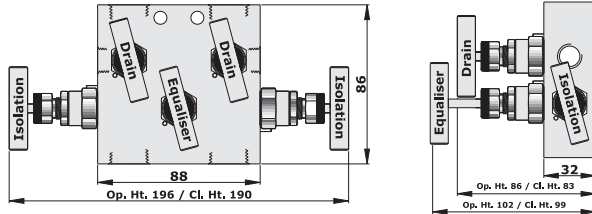


## FIVE VALVE INSTRUMENT MANIFOLDS

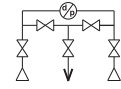
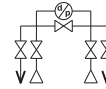
Remote / Direct Mounted Differential Pressure Manifolds

Low Pressure 6000 psig (414 barg)

\* High pressure up to 10,000 psi available on request.



Remote Mounting



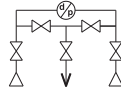
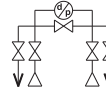
C5VIM RM-01

C5VIM RM-01A

PRODUCT CODE :

Product Code	Inlet	Outlet	Bleed/ Vent/ Test
C5VIM RM-01	1/2" NPT(F)	1/2" NPT(F)	-----
C5VIM RM-01A	1/2" NPT(F)	1/2" NPT(F)	1/4" NPT(F) With two plug

Remote Mounting



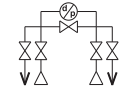
C5VIM RM-02

C5VIM RM-02A

PRODUCT CODE :

Product Code	Inlet	Outlet	Bleed/ Vent/ Test
C5VIM RM-02	1/2" NPT(F)	1/2" NPT(F)	1/4" NPT(F) With two plug
C5VIM RM-02A	1/2" NPT(F)	1/2" NPT(F)	1/4" NPT(F) With two plug

Remote Mounting

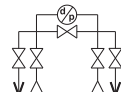


PRODUCT CODE :

C5VIM DM-01

Product Code	Inlet	Outlet	Bleed/ Vent/ Test
C5VIM DM-01	1/2" NPT(F)	Flanged	1/4" NPT(F) With two plug

Direct Moulding

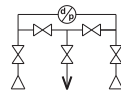
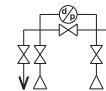


PRODUCT CODE :

C5VIM DM-02

Product Code	Inlet	Outlet	Bleed/ Vent/ Test
C5VIM DM-02	1/2" NPT(F)	Flanged	1/4" NPT(F) With two plug

Direct Moulding



PRODUCT CODE :

C5VIM DM-03

C5VIM DM-03A

Product Code	Inlet	Outlet	Bleed/ Vent/ Test
C5VIM DM-03	1/2" NPT(F)	Flanged	1/4" NPT(F) With two plug
C5VIM DM-03A	1/2" NPT(F)	Flanged	1/4" NPT(F) With one plug

DIMENSIONS FOR REFERENCE ONLY, SUBJECT TO CHANGE.

# Instrument Valves

Comfit & Valves Pvt. Ltd.

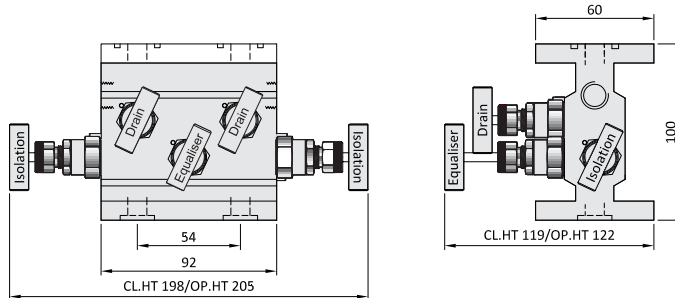


## FIVE VALVE INSTRUMENT MANIFOLDS

Remote / Direct Mounted Differential Pressure Manifolds

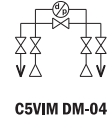
Low Pressure 6000 psig (414 barg)

\* High pressure up to 10,000 psi available on request.

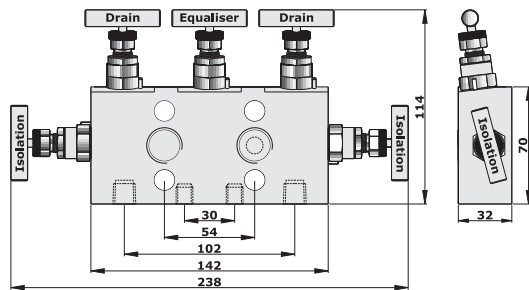


Direct Mounting

PRODUCT CODE :

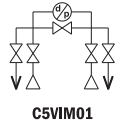


Product Code	Inlet	Outlet	Bleed/Vent/Test
C5VI DM-04	Flanged	Flanged	1/4" NPT(F) With two plug
C5VIM DM-04A	Flanged	Flanged	1/4" NPT (F) With one plug



Standard

PRODUCT CODE :



Product Code	Inlet	Outlet	Bleed/Vent/Test
C5VI DM-05	Pipe	Flange	1/4" NPT(F) With two plug

## MOVNTING KIT

Brackets, U-Bolts, nuts, Washer and Bolts are included in the Kit

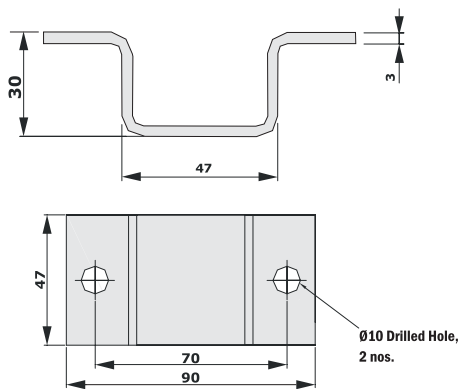
Simple to install bracket for horizontal/vertical 2" stand pipe, wall, panel or base mounting & suitable for all direct & remote Mounting manifolds.

Bracket stand-off prevents handle obstruction & design enables horizontal or vertical instrument positioning

## BRACKETS

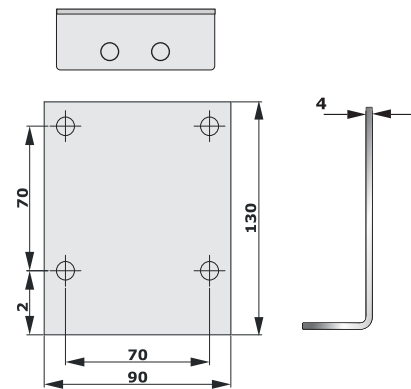
Product Code :

BKT001



Product Code :

BKT003

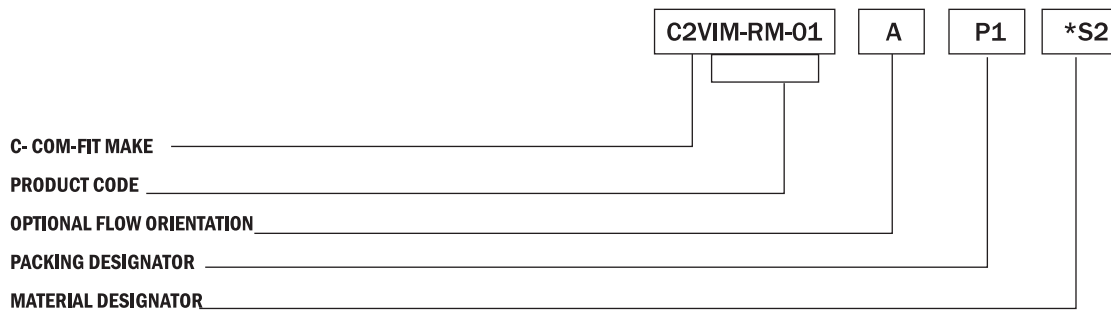


Selection of movnting kit depends on the type of manifold valve and it's position (Vertical or Horizontal)

DIMENSIONS FOR REFERENCE ONLY, SUBJECT TO CHANGE.



## ORDERING CODE FOR INSTRUMENT MANIFOLD VALVE



PACKING	DESIGNATOR
PTFE - Temp - 250° F to +450° F _____ Standard by default	
GRAFOIL - Temp 700° F _____	P1
PEEK - Temp 572° F _____	P2
BUNA-N- Temp 35° F to 250° F _____	P3
VITON - Temp 20° F to +400° F _____	P4

Note : \* No need to designate 'S1' for SS 316 material.

MATERIAL	DESIGNATOR
STEEL	S
SS 316	S1
SS 316L	S2
SS 316/SS 316L	S1S2
SS 304	S3
SS 304L	S4
CARBON STEEL	S5
P/F321	S6
SS 347	S7
P/F 11	S8
P/F 22	S9
P/F 5	S10
A105N	S11
P/F 91	S12
Lf2	LF2
ALUMINIUM	AL
BRASS	B
ALLOY 20	C20
ALLOY C-276	HC
ALLOY 600	INC
ALLOY 825	INC1
ALLOY 625	INC2
TITANIUM	TI
MONEL 400	M
DUPLEX-F60 / S32205	D
DUPLEX-F51 / S31803	D1
DUPLEX-F53 / S32750	D3
DUPLEX F55 / S32760	D5
NACE MR-0175	NM
NACE MR0103	NM1