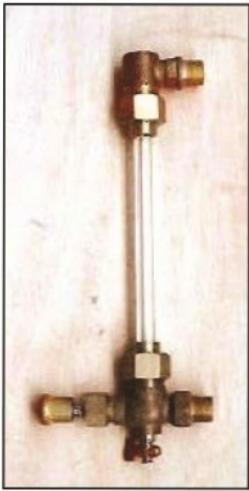


"BULL" Level Gauge For Water / Oil Tank, Series 129.

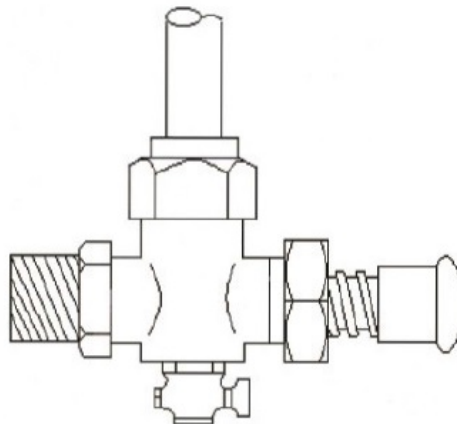
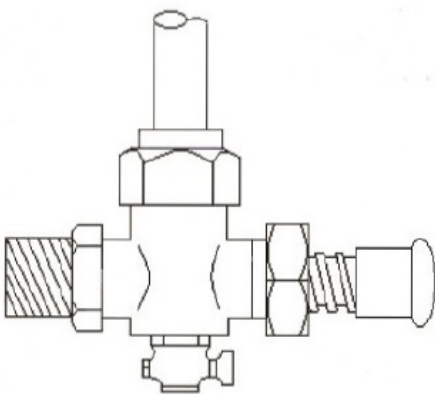
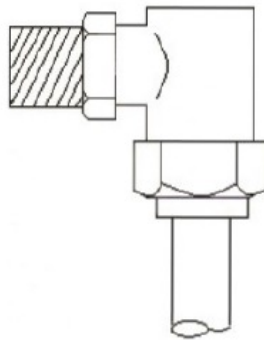
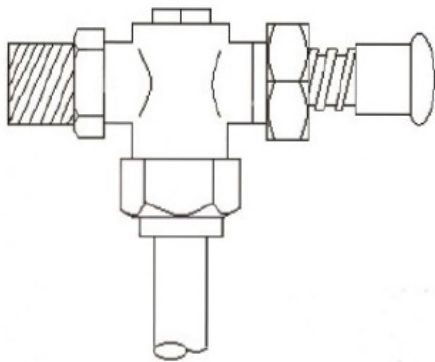


Part	Material
Material	Brass (Working pressure 150PSI)
Connection	1/2" BSP Male Threaded.
Sight Tube	1/2" dia. (Acrylic or Glass).

Elbow piece plus push button quick release gauge valve NBR seal seat.

Both push button quick release gauge valves with NBR seal seat.

Part	Material
Material	Body Bronze (Working pressure 150 PSI)
Connection	1/2" BSP Male Threaded.
Sight Tube	1/2" dia. (Acrylic or Glass).



A - TYPE

8 - TYPE

Both push button quick release gauge valves with NBR seal seat.

Elbow piece & push button quick release gauge valve with NBR seal seat.