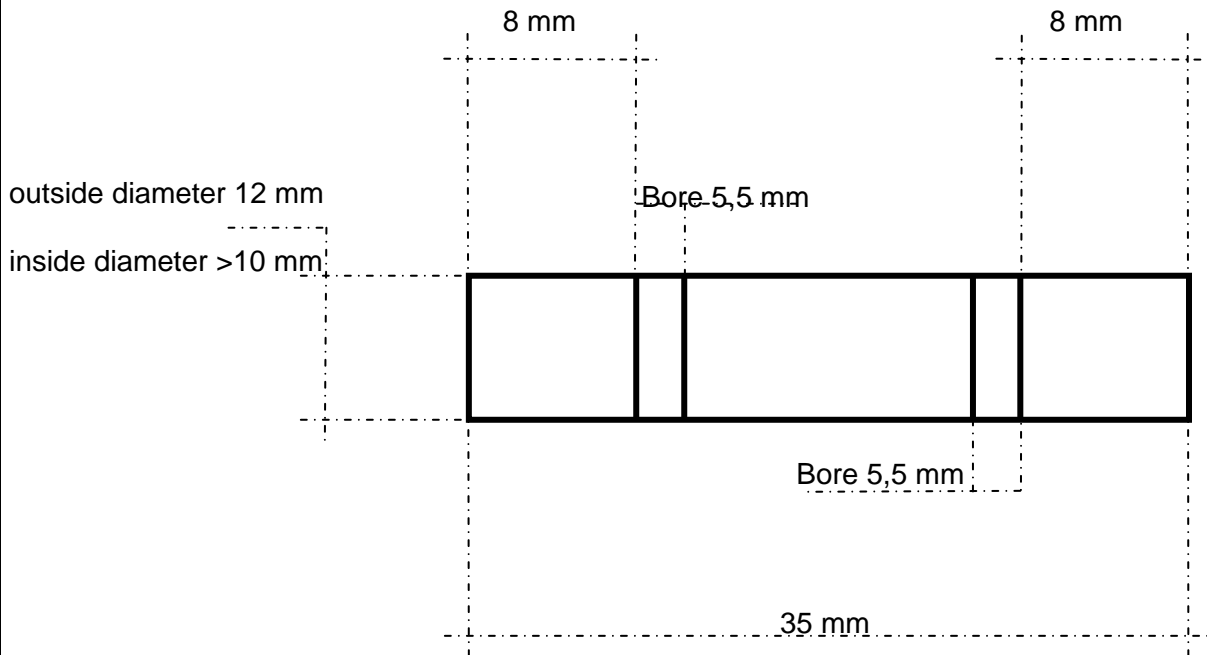


Connection Tube

1.	Connection tube	1	AISI 316



Remarks

1. connection tube with none welded seam.

Concern:	Dimensional drawing connection tube
For:	
Draw. Nr.	Q.06.11.559 – connection tube