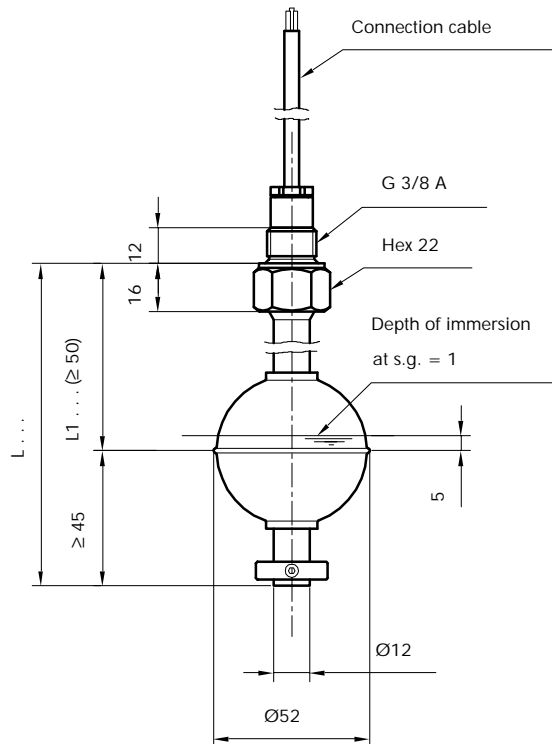


# Reed-Control Float Switch

stainless steel (1.4435, 1.4571) with stainless steel Ball Float

R3/8" - EU - L100 - E52 - 1mPVC



## Technical data:

Electrical Connection:	PVC cable
Process Connection:	G 3/8 A stainless steel
Guide Tube:	Ø12 mm stainless steel
Float:	Ball Ø52 mm stainless steel

## Switch Circuits on rising Level:

U = Change-over (SPDT): 40 VA / 250 V AC/DC / 1 A

Temperature Range: -30°C to +100°C  
Protection Rating: IP 68

Maximum Static Pressure: 40 bar

Specific Gravity: Min. 0,7g/cm<sup>3</sup>

Mounting Attitude: Vertical ±30°

## Special design:

**Guide Tube:**  
Maximum length = 100 mm

**Cable:**  
PVC cable: 0,5 mm<sup>2</sup>, 90°C

Technical data subject to alternations.

