

BALL VALVES

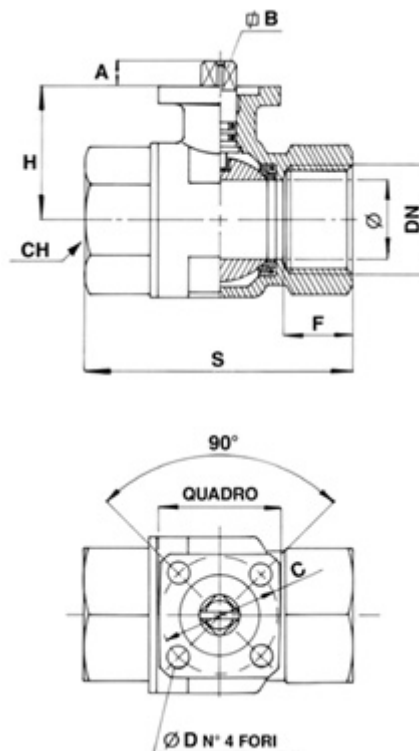
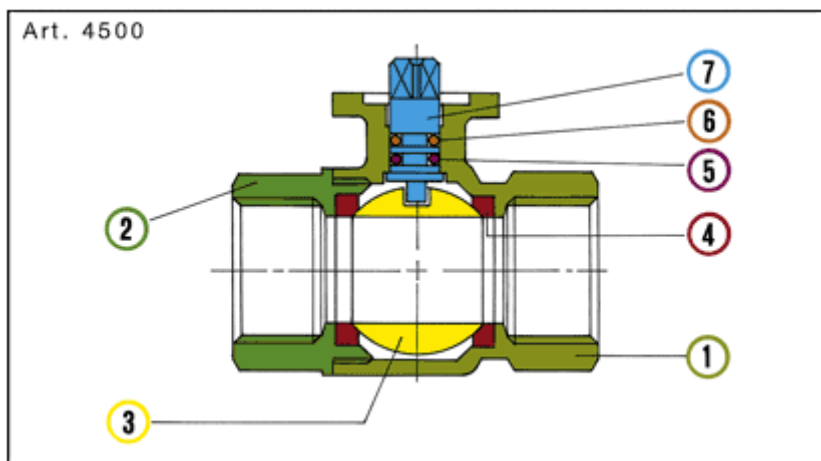
Technical data

MATERIALS					
1	Body	Brass	CuZn40Pb2	UNI EN 12165	Nickel-plated
2	Body end	Brass	CuZn40Pb2	UNI EN 12165	Nickel-plated
3	Ball	Brass	CuZn40Pb2	UNI EN 12165	Chrome-plated
4	Seats	P.T.F.E.		ASTM D1457	
5	O-Ring	FKM		ASTM D2000	
6	O-Ring	NBR		ASTM D2000	
7	Stem	Brass	CuZn39Pb3	UNI EN 12164	

APPLICATION	General civil and industrial plant: water, heating and sanitary plants, waterworks, pneumatic, hydraulics, steam, irrigation, etc.
CONNECTION	ISO 228/1, ISO 5211
LIMIT	-20°+95° (without liquid)
NOTE	The max.working pressure (PN) means at a room temperature of about 23°C.

RIV 4500

Ball valve F/F
full bore PN 40
ISO 5211 mounting pad for actuator

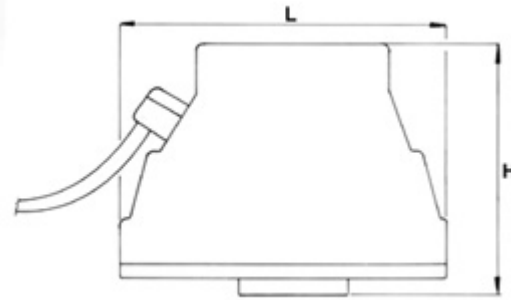


DN	COD	\emptyset	$\emptyset D$	\emptyset	$\emptyset B$	A	C	F	H	S	ISO 5211	CH	KG	PN	P/box
1/2"	024500000004	15	5,5	38	9	7	36	17	31	59	M1 (F03)	27	0,29	40	14
3/4"	024500000005	20	5,5	38	9	8	36	18	37	69	M1 (F03)	33	0,43	40	10
1"	024500000007	25	5,5	38	9	8	36	22	41	83	M1 (F03)	41	0,69	40	6
1"1/4"	024500000008	32	5,5	38	9	8	36	24	46,5	94	M1 (F03)	50	1,02	25	6
1"1/2"	024500000009	40	6,5	50	14	14,5	50	24	58	102	M4 (F05)	56	1,35	25	4
2"	024500000011	50	6,5	50	14	14,5	50	28	65,5	124	M4 (F05)	70	2,15	25	4

RIV 4521

Electric actuator

Electric actuator 220/230 V
alternate current
ISO 5211 connection



COD	H	L	ISO 5211	KG	P/box
024521000001	86	110	EL-M1 (F03)	0,660	1
024521000002	100	110	EL-M4 (F05)	0,860	1

ELECTRIC MOTOR FEATURES

	Corrente alternata AC	Corrente continua DC
Tensione di alimentazione <i>Power voltage</i>	24 V, 110 V, 230 V - 50 Hz	12 V, 24 V
Assorbimento elettrico <i>Electric absorption</i>	4 W	4 W
Tempo di rotazione <i>Rotation time</i>	F03 = 90 sec. - F05 = 110 sec.	F03 = 17 sec. - F05 = 35 sec.
Angolo di rotazione <i>Angle of rotation</i>	90°	90°
Grado di protezione motore <i>Motor protection level</i>	IP 65	IP 65
Coppia di spunto <i>Starting torque</i>	F03 = 12 Nm - F05 = 35 Nm	F03 = 12 Nm - F05 = 35 Nm
Coppia di lavoro continua <i>Working torque</i>	F03 = 4,5 Nm - F05 = 20 Nm	F03 = 4,5 Nm - F05 = 20 Nm
Temp. ambiente di funzionamento <i>Temperature of working area</i>	da - 10°C a + 70°C <i>from - 10°C to + 70°C</i>	da - 10°C a + 70°C <i>from - 10°C to + 70°C</i>

The actuator has got the "CE" marking and it is in conformity with the following Community-Standards and Directives:

- Machines Directive 89/392/EC and following modifications and integrations: 91/368/EC, 93/44/EC, 93/68/EC
- Electromagnetic Compatibility Directive 89/336/CE and following integrations 92/31/EC
- Low Voltage Directive 73/23/EC and following integrations 93/68/EC
- Standards CEI EN 61000-3-2, CEI EN 61000-3-3-, CEI EN 55014, CEI EN 60335-1, CEI EN 60730-1, CEI EN 60730-2-8