

---

**Model No.:** 118A

**Name :** Heavy duty Pressure gauge (Full stainless steel )

**Applications :**

With liquid -filled case for applications with High dynamic Pressure Loads or Vbrations  
For Gaseous and Liquid Media that are not highly viscous or crystallising also in aggressive ambience

Process Industry :Chemical/Petro-chemical , Power stations , Mining , on-and offshore , environmental technology, machine , Building and General Plant construction

**Special Features :**

Excellent load-cycle stability and shock resistance

All stainless steel construction

To combine with SHUNJAY diaphragm seals

Scale ranges up to 0.....1600bar

**Specifications :**

**Nominal size :**

2.5"(63mm) , 4" (100mm), 6 "(150mm) ,  
8"(200mm),10"(250mm) (lower mount only)

**Accuracy :**

+/-1.6% of full scales for 2.5"(63mm)

+/-1.0% of full scales for 4" (100mm) ,6"(150mm),8"(200mm),10"(250mm)

**Range available ( no stock) :**

2.5"(63mm) : 0....1 to 0...1000bar

4" (100mm) :0...0.6 to 0...1000bar

or all other equivalent vacuum or combined pressure and vacuum ranges

**Pressure limitation :**

2.5"(63mm): Steady :3/4 xFull scale value

Fluctuating : 2/3xFull scale value

Short time : Full scale value

4"(100mm),6"(160mm) : Steady : Full scale

8"(200mm),10"(250mm) Fluctuating : 0.9 x full scale value

Short time : 1.3xfull scale value

**Operating Temperature**

Ambient: -4°F to 140°F (-20°C to +60°C)

Media: +200°C Maxim without liquid filling

+100 °C maximum with liquid filling (silicon oil)

**Ingress Protection :** IP 65 per EN60529/IEC60529

**Service Fluid :** compatible gases and liquids

**Housing:** stainless steel 304 case and bayonet ring .

**Windows :** Instrument Glass

**Liquid filled :** Glycerin (option silicon oil)

**Bourdon Tube :** Stainless steel 316L .



**Movement :** Stainless steel 304

**Process Connection :**

Stainless steel 316L

**Thread :** BSP , BSPT, NPT ,or metric thread.

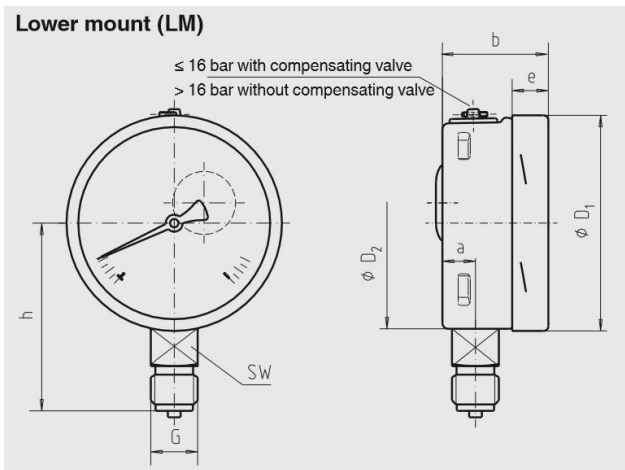
**Dials:** aluminum  
 White background  
 Black or black and red lettering .  
 With customer logo is available .

**Scale Unit :** Bar or Bar+Psi

**Optional extras**

- Scale unit can use KPa , MPa,Kgf/cm2, kg/cm2, torr, atm
- Liquid inside can be changed to be silicon oil
- Liquid can be filled by customer.
- Fill cap can be changed to be with on-off type

Dimensions in mm :



Diameter	Dimensions in mm											WEIGHT(Kg)	
	a	b	b1	b2	D1	D2	e	f	G	h±1	SW	Dry	FILLED
2.5"(63mm)	11	33	33	59	63.8	62	7	-	1/4	53	14	0.18	0.23
4"(100mm)	15	49	49	88	100.6	99	12	22	1/2	85	22	0.55	0.80
6"(160mm)	16.5	50.5	50.5	85	160.6	159	18	48	1/2	116	22	0.94	1.77

Ordering Part #:

model -connection location-norminalsize -thread type-thread size-pressure range  
(sample)

