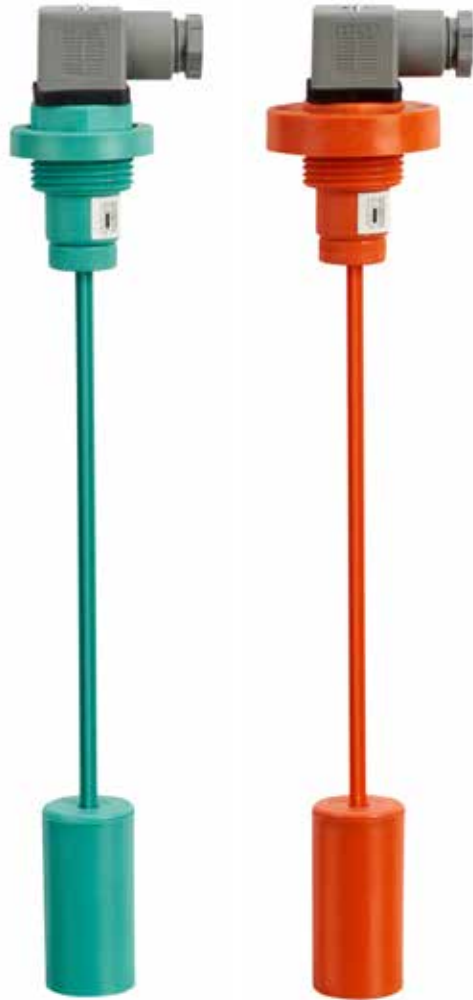


MG - Mini Genius

ENTIRELY IN PLASTIC MATERIAL FOR SMALL CONTROL UNITS



*** EASY TO USE**

there are two scales (oil and water) on the rod, that indicate the exact cutting place for obtaining the required switching point.

*** SAFE**

a) the level switch has structural separation of the electrical part from the tank;
b) insensitive to dirty liquids and metal particles.

*** VERSATILE**

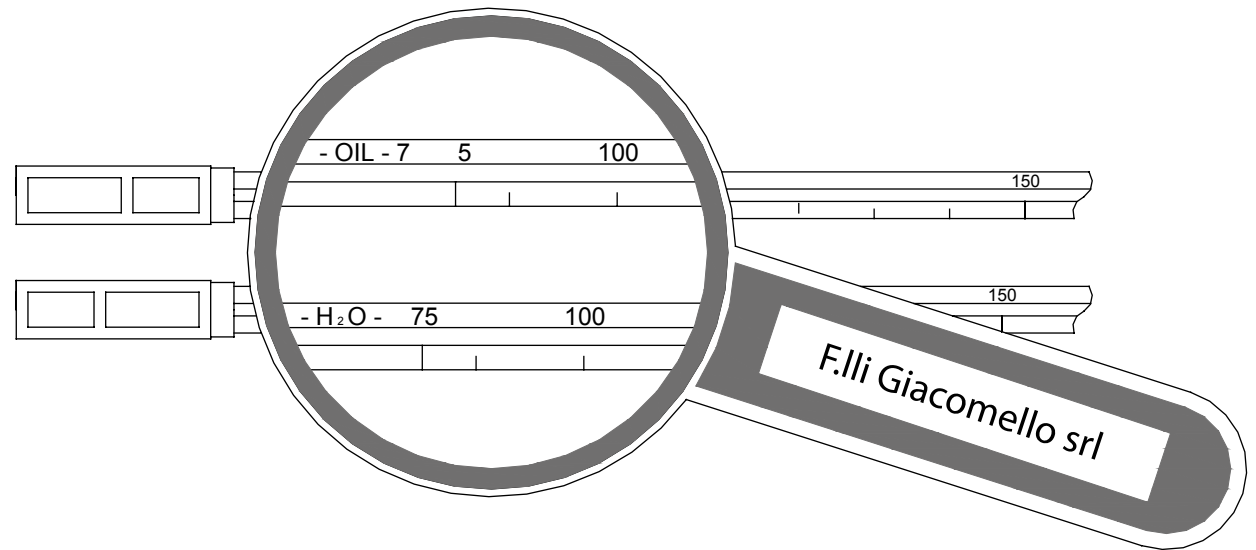
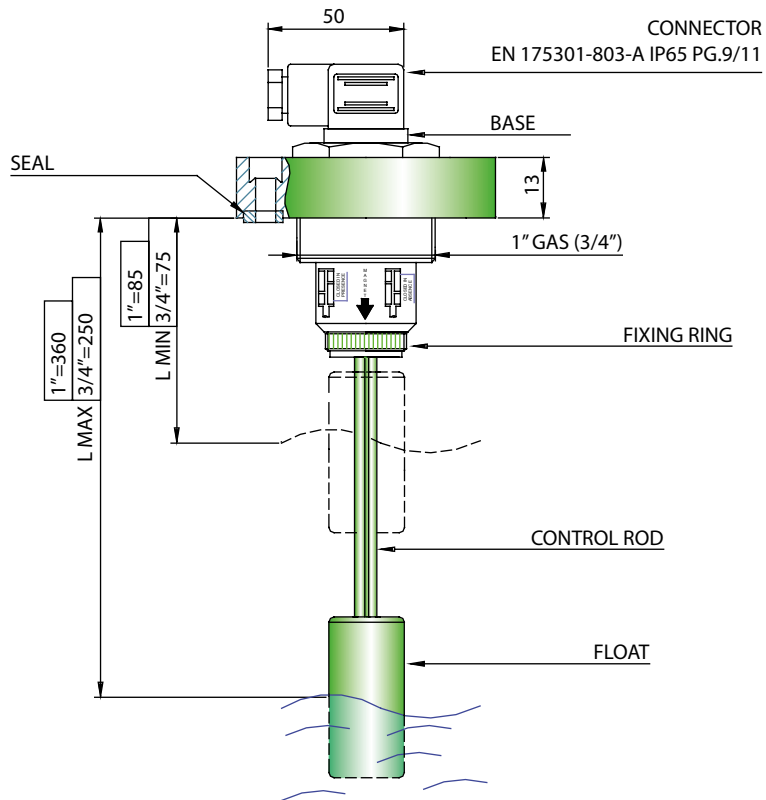
a) it can have two types of fixing (flange + thread) at the same time;
b) the electrical contacts are reversible (N.O. / N.C. in pres.).

*** COMPATIBLE**

all parts of the level switch are made from the same material (nylon-glass / polypropylene-glass), to make chemical compatibility checking very easy.

Maximum working pressure: 10Bar.

MG - Mini Genius



Cutting the control rod.

After choosing the scale corresponding to the liquid used (water - oil), cut the control rod with nippers or scissors at the place corresponding to the control level (see level "L"); then join the float to the rod, fitting it in the special seat.

MG - Mini Genius

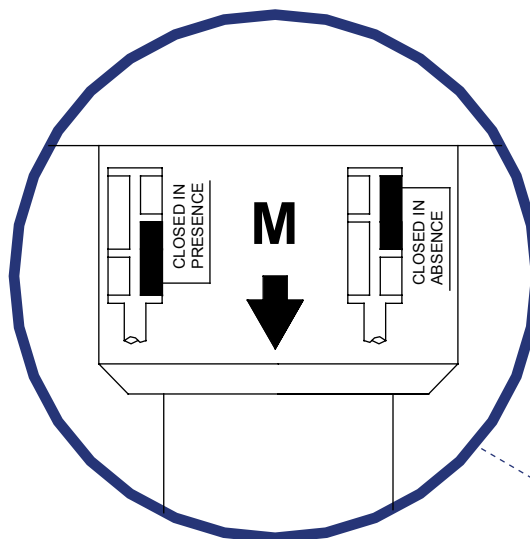
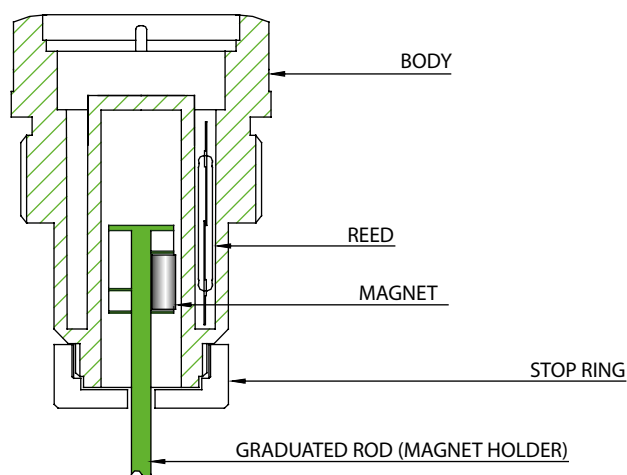
The level switch has the electrical part completely separate from the liquid and perfectly protected on the connector side.

The result is a safer product.

Production currently provides for the base body with 1" Gas thread (3/4" on request).

A flange with 3 holes (Ø55) or 6 holes (Ø70) can be welded to it (see table).

Moreover, by ordering the flanged (3 or 6 holes) level switch the user will also have a 1" Gas thread connection (3/4" Gas on request) available, for further fixing possibilities.



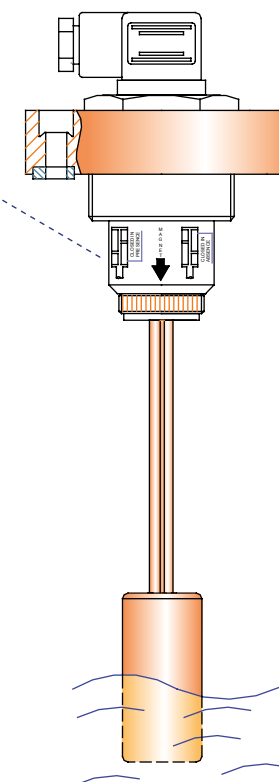
A main feature of the MG range is reversibility: by shifting the position of the magnet (M) it is possible to have the contact CLOSED IN PRESENCE or CLOSED IN ABSENCE of liquid.

Everything is made even easier by the presence of a label above the body, which makes positioning of the magnet inside the body clear and immediate.

Except for particular cases, it is no longer necessary to order an SPDT exchange contact.

MG range level switches are insensitive to dirt or ferrous particles in the liquid, as there is no magnet on the float and because the float is integral with the rod.

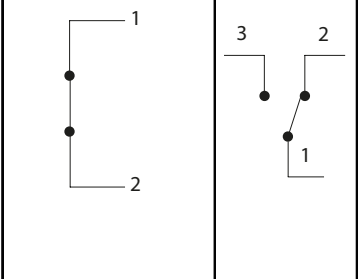
Unlike the other level switches, all the components (body - rod - float - etc.) of the MG series are made from the same material; this makes it very easy to consult the compatibility tables and choose the right material needed.



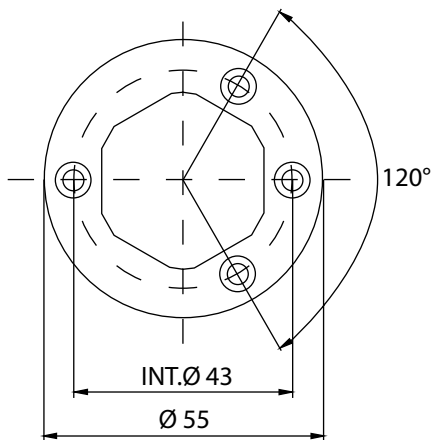
MG - Mini Genius

SUMMARY CHART

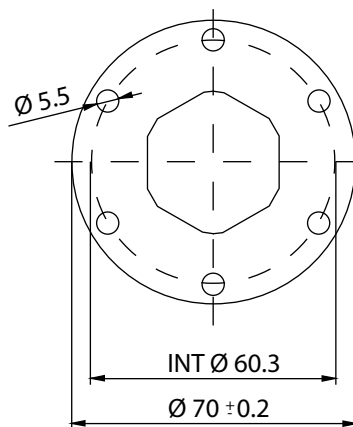
MODEL	CHARACTERISTICS	MATERIAL	Ø FLOAT	"L" ROD	CONTACT	OPERATING TEMPERATURE	PRESSURE	ELECTRICAL CONTACTS		REED	
MG - 1" - S1 (S1A-S2)	1" GAS	NYLON	30	360	REVERSING (IF NOT OTHERWISE IN DEMAND COMES FURNISHED WITH CONTACTING N.C. IN ABSENCE - S1)	"-20 + 80°C" ON REQUEST 120°C	3 BAR AT 20°C	S1= N.C. IN ABSENCE.	S2 (EXCHANGE)	S1 (S1A)	S2 (EXCHANGE)
MG - 1" - F3 - S1 (S1A-S2)	1" GAS + 3 HOLES		30	360				S1A= N.C. IN PRESENCE			
MG - 1" - F6 - S1 (S1A-S2)	1" GAS + 6 HOLES		30	360							
MG - P - 1" - S1 (S1A-S2)	1" GAS	P.P.	30	360		"-20 + 80°C"					
MG - P - 1" - F3 - S1 (S1A-S2)	1" GAS + 3 HOLES		30	360							
MG - P - 1" - F6 - S1 (S1A-S2)	1" GAS + 6 HOLES		30	360							
MG - 3/4" - S1 (S1A-S2)	3/4" GAS	NYLON	23	250		"-20 + 80°C" ON REQUEST 120°C					
MG - 3/4" - F3 - S1 (S1A-S2)	3/4" GAS + 3 HOLES		23	250							
MG - 3/4" - F6 - S1 (S1A-S2)	3/4" GAS + 6 HOLES		23	250							
MG - P - 3/4" - S1 (S1A-S2)	3/4" GAS	P.P.	23	250				"-20 + 80°C"			
MG - P - 3/4" - F3-S1 (S1A-S2)	3/4" GAS + 3 HOLES		23	250							
MG - P - 3/4" - F6-S1 (S1A-S2)	3/4" GAS + 6 HOLES		23	250							



FLANGE 3 HOLES



FLANGE 6 HOLES



CONNECTION:

Connector CE
EN 175301-803-A IP65 PG.9/11

