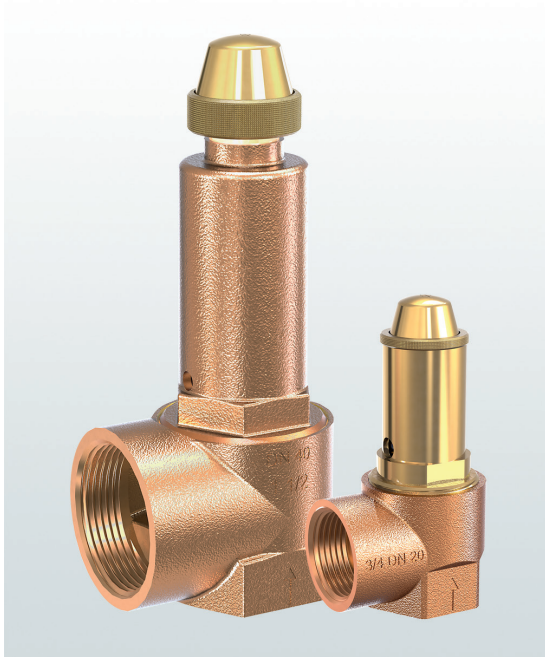


652mFK

Safety valves made of gunmetal, angle-type with threaded connections

→ **Series 652mFK**



■ SUITABLE FOR

| | | |
|---------|-------------------------|--|
| Liquids | neutral and non-neutral | |
|---------|-------------------------|--|

■ EXEMPLES D'UTILISATION / DOMAINES D'APPLICATION

- For the protection of:
- cooling plants and closed cooling circuits
 - pressure tanks/-systems for water and cooling liquids with a glycol contents of up to 100 %
- Please observe plant-specific regulations.
- cooling-/ chilling plants

■ APPROVALS

| | |
|--|-------|
| TÜV Type test approval 293 | F |
| EC type examination | L |
| TR ZU 032/2013 - TR ZU 010/2011 | F (L) |
| Requirements | |
| AD 2000 Data sheet A2 DIN EN ISO 4126-1 PED 2014/68/EU | |

Classification society

| | |
|---------------------------------------|---------|
| DNVGL | DNVGL |
| Lloyd's Register EMEA | LR EMEA |
| American Bureau of Shipping | ABS |
| Bureau Veritas | BV |
| Russian Maritime Register of Shipping | RS |



■ MATERIAL



■ SPECIFICATION



1/2" – 2"



– 50°C to + 150°C



1,0 – 16 bar

■ MATERIALS

| Component | Material | DIN EN | ASME |
|----------------|--|--------|-----------|
| Inlet body | Gunmetal | CC499K | CC499K |
| Outlet body | Gunmetal | CC499K | CC499K |
| Internal parts | Brass | CW617N | CW617N |
| Spring | Spring steel with anti-rust protection | 1.1200 | ASTM A228 |

Version 2015 / 06

| | | |
|----------|----------------|--|
| m | with diaphragm | for neutral liquids and liquids in cooling circuits without counter pressure. Spring, moving parts and the environment are protected from being affected by the medium. |
|----------|----------------|--|

■ MEDIUM

| | | |
|----------|--------|---|
| F | liquid | The temperature of the medium under atmospheric pressure must not reach boiling point |
|----------|--------|---|

■ TYPE OF LIFTING MECHANISM

| | |
|----------|--|
| K | Standard with twist-type lifting mechanism |
|----------|--|

■ AVAILABLE NOMINAL DIAMETERS AND CONNECTION SIZES

| Nominal diameter DN | 15 | 20 | 25 | 32 | 40 | 50 |
|---------------------|-------------|-----------|---------|-------------|-------------|---------|
| Inlet | 1/2" (15) | 3/4" (20) | 1" (25) | 1 1/4" (32) | 1 1/2" (40) | 2" (50) |
| Outlet | 1/2" (15) | ■ | | | | |
| | 3/4" (20) | | ■ | | | |
| | 1" (25) | | | ■ | | |
| | 1 1/4" (32) | | | | ■ | |
| | 1 1/2" (40) | | | | | ■ |
| | 2" (50) | | | | | |

■ TYPE OF CONNECTION INLET / OUTLET THREADED CONNECTIONS

| | | | |
|--------------|----------|---|-------------------------------------|
| f / f | Standard | Female thread BSP-P / Female thread BSP-P | DIN EN ISO 228-1 / DIN EN ISO 228-1 |
|--------------|----------|---|-------------------------------------|

■ SEALS

| | | | |
|-------------|--------------------------|--|-----------------|
| EPDM | Ethylene propylene diene | Elastomere flat seal (up to 100% Glykol) | -50°C to +150°C |
|-------------|--------------------------|--|-----------------|

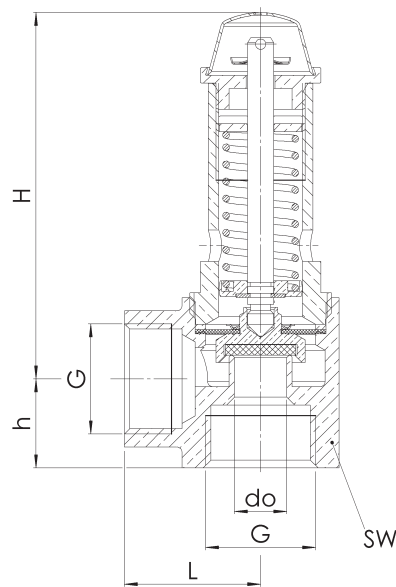
■ OPTIONS

Special versions on request.

■ NOMINAL DIAMETERS, CONNECTIONS, INSTALLATION DIMENSIONS

| Series 652mFK: Connection, installation dimensions, ranges of adjustment | | | | | | | |
|--|-----|-----------|-----------|---------|-------------|-------------|---------|
| Nominal diameter | DN | 15 | 20 | 25 | 32 | 40 | 50 |
| Connection DIN EN ISO 228 | G | 1/2" (15) | 3/4" (20) | 1" (25) | 1 1/4" (32) | 1 1/2" (40) | 2" (50) |
| Outlet DIN EN ISO 228 | G | 1/2" (15) | 3/4" (20) | 1" (25) | 1 1/4" (32) | 1 1/2" (40) | 2" (50) |
| Installation dimensions in mm | L | 26 | 31 | 35 | 40 | 46 | 54 |
| | H | 70 | 70 | 80 | 100 | 140 | 155 |
| | h | 17 | 18 | 22 | 25 | 28 | 34 |
| | SW | 27 | 32 | 40 | 49 | 56 | 68 |
| | do | 10 | 13 | 16 | 18 | 22 | 25 |
| Weight | kg | 0,2 | 0,3 | 0,5 | 0,7 | 1,2 | 1,6 |
| Range of adjustment | bar | 1-16 | 1-16 | 1-16 | 1-16 | 1-16 | 1-16 |

■ MAIN DIMENSIONS, INSTALLATION DIMENSIONS



■ INDIVIDUAL SELECTION / VALVE CONFIGURATION

| Series | Valve version | Medium | Lifting device | Nominal diameter DN | Connection type | | Connection size | | Seal | Options | Set pressure | Quantity |
|--------|---------------|--------|----------------|---------------------|-----------------|--------|-----------------|--------|------|---------|--------------|----------|
| | | | | | Inlet | Outlet | Inlet | Outlet | | | | |
| 652 | m | F | K | 15 | f | f | 15 | 15 | EPDM | | 6,5 | 2 |
| 652 | m | F | K | | f | f | | | EPDM | | | |
| 652 | m | F | K | | f | f | | | EPDM | | | |
| 652 | m | F | K | | f | f | | | EPDM | | | |

■ ENQUIRY

| Series 652mFK: Blowing-off rates at 10% above set pressure | | | | | | | |
|--|-----|-----|------|------|------|------|------|
| Nominal diameter DN | 15 | 20 | 25 | 32 | 40 | 50 | |
| Set pressure bar | | | | | | | |
| Water m³/h | 1 | 1,5 | 2,6 | 3,9 | 4,9 | 7,3 | 9,4 |
| | 1,5 | 1,8 | 3,1 | 4,7 | 6,0 | 8,9 | 11,6 |
| | 2 | 2,1 | 3,6 | 5,5 | 6,9 | 10,3 | 13,3 |
| | 2,5 | 2,4 | 4,0 | 6,1 | 7,7 | 11,6 | 14,9 |
| | 3 | 2,6 | 4,4 | 6,7 | 8,5 | 12,7 | 16,3 |
| | 3,5 | 2,8 | 4,8 | 7,2 | 9,2 | 13,7 | 17,7 |
| | 4 | 3,0 | 5,1 | 7,7 | 9,8 | 14,6 | 18,9 |
| | 4,5 | 3,2 | 5,4 | 8,2 | 10,4 | 15,5 | 20,0 |
| | 5 | 3,4 | 5,7 | 8,6 | 10,9 | 16,3 | 21,1 |
| | 5,5 | 3,5 | 6,0 | 9,1 | 11,5 | 17,1 | 22,1 |
| | 6 | 3,7 | 6,3 | 9,5 | 12,0 | 17,9 | 23,1 |
| | 6,5 | 3,8 | 6,5 | 9,9 | 12,5 | 18,6 | 24,1 |
| | 7 | 4,0 | 6,8 | 10,2 | 12,9 | 19,3 | 25,0 |
| | 7,5 | 4,1 | 7,0 | 10,6 | 13,4 | 20,0 | 25,8 |
| | 8 | 4,3 | 7,2 | 10,9 | 13,8 | 20,7 | 26,7 |
| | 8,5 | 4,4 | 7,4 | 11,3 | 14,3 | 21,3 | 27,5 |
| 9 | 4,5 | 7,7 | 11,6 | 14,7 | 21,9 | 28,3 | |
| 9,5 | 4,7 | 7,9 | 11,9 | 15,1 | 22,5 | 29,1 | |
| 10 | 4,8 | 8,1 | 12,2 | 15,5 | 23,1 | 29,8 | |
| 11 | 2,8 | 6,8 | 12,8 | 14,4 | 23,6 | 31,3 | |
| 12 | 2,9 | 7,1 | 13,4 | 15,1 | 24,6 | 32,7 | |
| 13 | 3,0 | 7,4 | 13,9 | 15,7 | 25,6 | 34,0 | |
| 14 | 3,1 | 7,7 | 14,5 | 16,3 | 26,6 | 35,3 | |
| 15 | 3,2 | 8,0 | 15,0 | 16,8 | 27,5 | 36,5 | |
| 16 | 3,4 | 8,2 | 15,5 | 17,4 | 28,4 | 37,7 | |