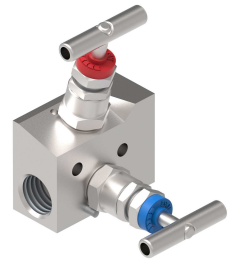
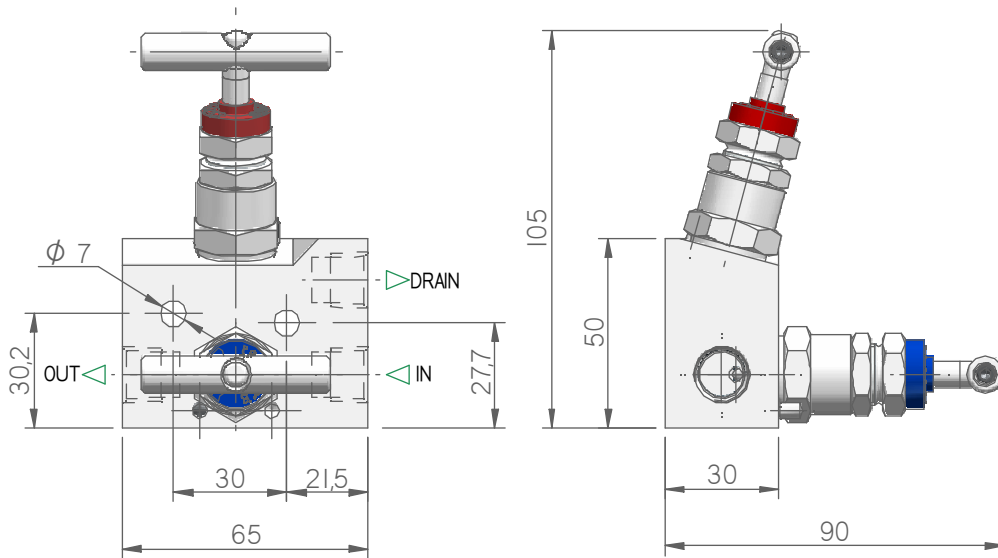


MODEL: M21

REMOTE MOUNTED MANIFOLD



This manifold are designed for mounting to Pressure Gauges, Pressure Transmitters or Pressure Switches. Composed of primary block valve and secondary valve for instrument venting or calibrating.



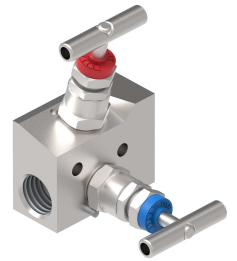
MODEL SELECTION

MODEL	RATING	MATERIAL	PACKING	IN	OUT	VENT	CODE	WEIGHT	NOTE
M21	6K psi	AISI 316L	GRAPHOIL	1/4" NPT-F	1/4" NPT-F	1/4" NPT-F	M21-06SG4N4N4	0,9 Kg	Packing material GRAPHOIL as standard max temperature 500°C. The dimensions shown apply only to the illustrated valve – if you need the dimensions for your individual type or should you still not find your options at all please contact the factory.
		ASTM A105					M21-06AG4N4N4		
		F51					M21-06DG4N4N4		
		F55					M21-06EG4N4N4		
		ALLOY 400					M21-06FG4N4N4		
		C276					M21-06GG4N4N4		
	6MO	M21-06HG4N4N4							
	I625	M21-06IG4N4N4							
	10K psi	AISI 316L					M21-10SG4N4N4		
		ASTM A105					M21-10AG4N4N4		
		F51					M21-10DG4N4N4		
		F55					M21-10EG4N4N4		
		ALLOY 400					M21-10FG4N4N4		
		C276					M21-10GG4N4N4		
		6MO					M21-10HG4N4N4		
		I625					M21-10IG4N4N4		

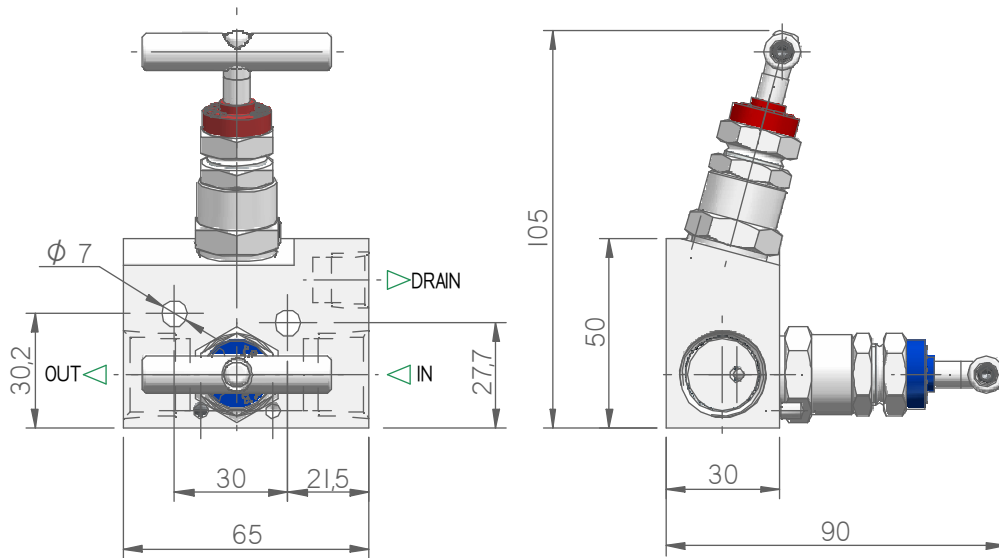
I.T.E. s.r.l. COMMITS ITSELF TO CONSTANTLY IMPROVE ITS PRODUCTS AND THEREFORE IT RESERVES THE RIGHT TO MODIFY DATA, FEATURES WITHOUT NOTICE.

MODEL: M21

REMOTE MOUNTED MANIFOLD



This manifold are designed for mounting to Pressure Gauges, Pressure Transmitters or Pressure Switches. Composed of primary block valve and secondary valve for instrument venting or calibrating.



MODEL SELECTION

MODEL	RATING	MATERIAL	PACKING	IN	OUT	VENT	CODE	WEIGHT	NOTE
M21	6K psi	AISI 316L	PTFE	1/2" NPT-F	1/2" NPT-F	1/4" NPT-F	M21-06ST8N8N4	0,9 Kg	Packing material PTFE as standard max temperature 180 °C. The dimensions shown apply only to the illustrated valve – if you need the dimensions for your individual type or should you still not find your options at all please contact the factory.
		ASTM A105					M21-06AT8N8N4		
		F51					M21-06DT8N8N4		
		F55					M21-06ET8N8N4		
		ALLOY 400					M21-06FT8N8N4		
		C276					M21-06GT8N8N4		
		6MO					M21-06HT8N8N4		
		I625					M21-06IT8N8N4		
	10K psi	AISI 316L					M21-10ST8N8N4		
		ASTM A105					M21-10AT8N8N4		
		F51					M21-10DT8N8N4		
		F55					M21-10ET8N8N4		
		ALLOY 400					M21-10FT8N8N4		
		C276					M21-10GT8N8N4		
		6MO					M21-10HT8N8N4		
		I625					M21-10IT8N8N4		

I.T.E. s.r.l. COMMITS ITSELF TO CONSTANTLY IMPROVE ITS PRODUCTS AND THEREFORE IT RESERVES THE RIGHT TO MODIFY DATA, FEATURES WITHOUT NOTICE.

REMOTE MANIFOLD - CODIFICA

1 2 3 4 5 6 7 8 9 10 11 12 13 14 15

ESEMPIO:

M 2 1 - 0 6 S T 8 N 8 N 4

MODEL

M21 REMOTE MANIFOLD 2 VLV 50x30 I/O 180°

RATING

06 Serie 6000
10 Serie 10000

MATERIAL

S Aisi 316L
A A105
D F51
E F55
F Monel 400
G C276 Hastelloy
H 6 Mo/F44
I Inconel 625

PACKING

T Teflon
G Graphoil

IN

4 1/4"
6 3/8"
8 1/2"
12 3/4"
20 M20 x 1,5

THREAD

N NPT
I BSPP GAS (ISO 1179)
K BSPT R/RC (ISO 7)
B Butt weld
S Socket Weld
M Metrico

OUT (Same as "IN" standard)

4 1/4"
6 3/8"
8 1/2"
12 3/4"
20 M20 x 1,5

THREAD (Same as "IN" standard)

N NPT
I BSPP GAS (ISO 1179)
K BSPT R/RC (ISO 7)
B Butt weld
S Socket Weld
M Metrico

DRAIN

/
4 1/4 NPT
8 1/2 NPT

OPTIONS

/
B All component 316L
C Special Testing
D Custom marking
E T-Bar 316L
L Lox cleaning
TI Isolate Anti-tamper
K Padlock for all anti tamper bonnet
T Mounted plug drain
KT Padlock for all T-bar bonnet
CR Criogenic Version