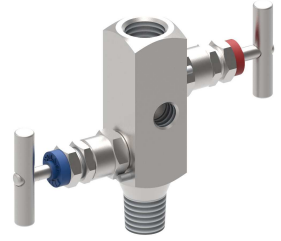
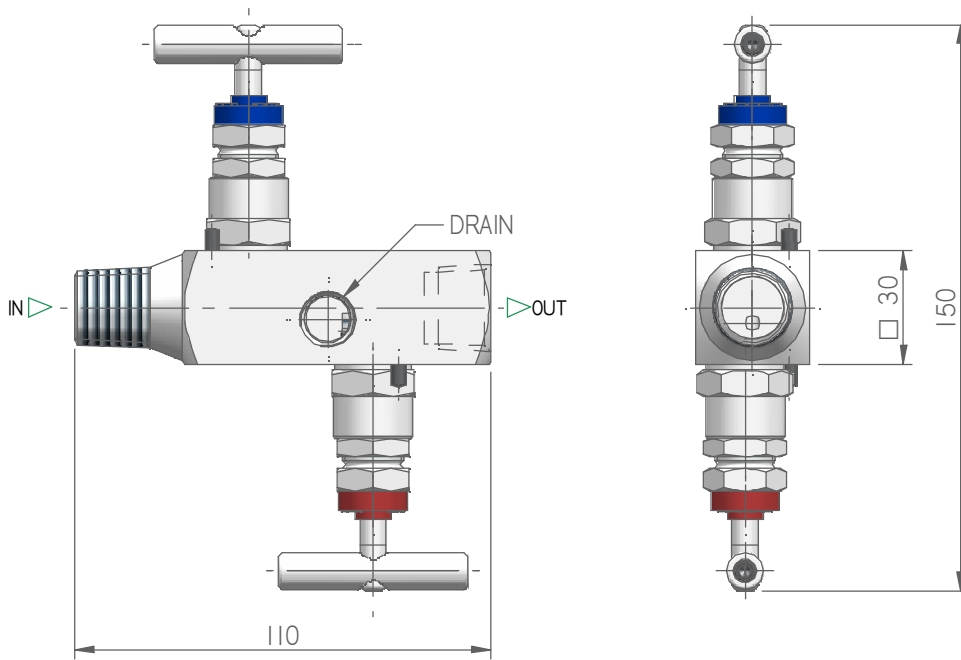
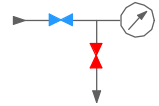


MODEL: M24

BLOCK & BLEED MANIFOLD



This manifold is used for connect a static pressure instrument to process fluid. Composed of primary block valve and secondary valve for instrument venting or calibrating.



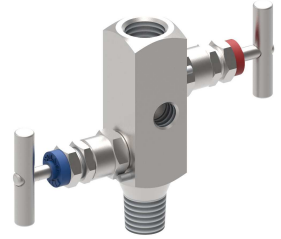
MODEL SELECTION

MODEL	RATING	MATERIAL	PACKING	IN	OUT	VENT	CODE	WEIGHT	NOTE	
M24	6K psi	AISI 316L	PTFE	1/2" NPT-M	1/2" NPT-F	1/4" NPT-F	M24-06ST8N8N4	0,9 Kg	Packing material PTFE as standard max temperature 180 °C. The dimensions shown apply only to the illustrated valve – if you need the dimensions for your individual type or should you still not find your options at all please contact the factory.	
		ASTM A105					M24-06AT8N8N4			
		F51					M24-06DT8N8N4			
		F55					M24-06ET8N8N4			
		ALLOY 400					M24-06FT8N8N4			
		C276					M24-06GT8N8N4			
		6MO					M24-06HT8N8N4			
		I625					M24-06IT8N8N4			
		10K psi					AISI 316L			M24-10ST8N8N4
							ASTM A105			M24-10AT8N8N4
	F51						M24-10DT8N8N4			
	F55						M24-10ET8N8N4			
	ALLOY 400						M24-10FT8N8N4			
	C276						M24-10GT8N8N4			
	6MO						M24-10HT8N8N4			
	I625						M24-10IT8N8N4			

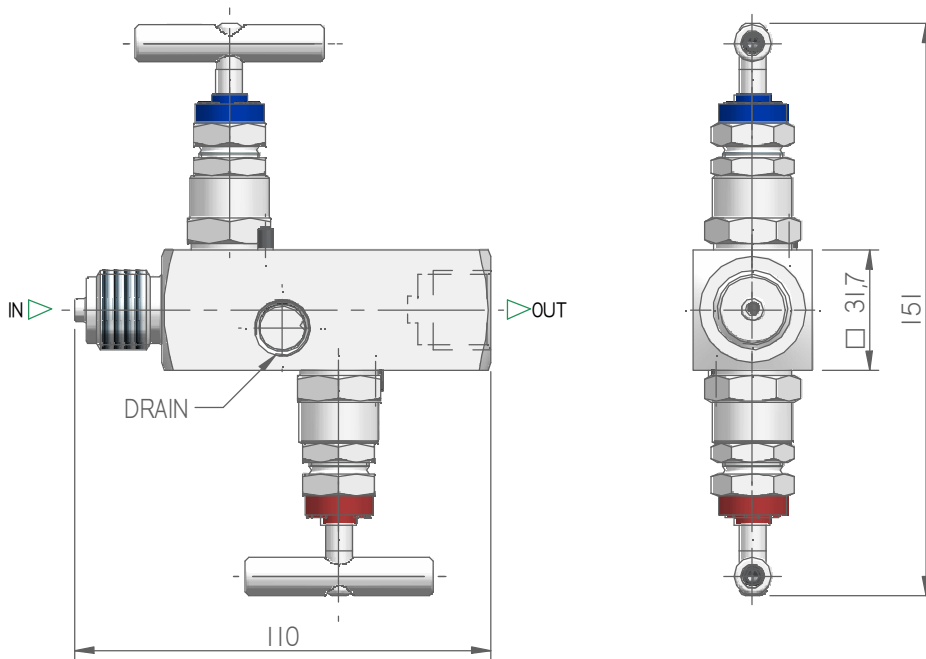
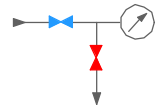
I.T.E. s.r.l. COMMITS ITSELF TO CONSTANTLY IMPROVE ITS PRODUCTS AND THEREFORE IT RESERVES THE RIGHT TO MODIFY DATA, FEATURES WITHOUT NOTICE.

MODEL: M24

BLOCK & BLEED MANIFOLD



This manifold is used for connect a static pressure instrument to process fluid. Composed of primary block valve and secondary valve for instrument venting or calibrating.



MODEL SELECTION

MODEL	RATING	MATERIAL	PACKING	IN	OUT	VENT	CODE	WEIGHT	NOTE	
M24	6K psi	AISI 316L	PTFE	G 1/2 B*	G 1/2*	1/4" NPT-F	M24-06ST8R8R4	1 Kg	Packing material PTFE as standard max temperature 180 °C. *G Thread according to UNI EN 837-1 The dimensions shown apply only to the illustrated valve – if you need the dimensions for your individual type or should you still not find your options at all please contact the factory.	
		ASTM A105					M24-06AT8R8R4			
		F51					M24-06DT8R8R4			
		F55					M24-06ET8R8R4			
		ALLOY 400					M24-06FT8R8R4			
		C276					M24-06GT8R8R4			
		6MO					M24-06HT8R8R4			
		I625					M24-06IT8R8R4			
		10K psi					AISI 316L			M24-10ST8R8R4
							ASTM A105			M24-10AT8R8R4
	F51		M24-10DT8R8R4							
	F55		M24-10ET8R8R4							
	ALLOY 400		M24-10FT8R8R4							
	C276		M24-10GT8R8R4							
	6MO		M24-10HT8R8R4							
	I625		M24-10IT8R8R4							

I.T.E. s.r.l. COMMITS ITSELF TO CONSTANTLY IMPROVE ITS PRODUCTS AND THEREFORE IT RESERVES THE RIGHT TO MODIFY DATA, FEATURES WITHOUT NOTICE.

PandID®B.V. | t: +31 174 280 371 | e: info@pandid.nl | t: www.pandid.nl | www.lineblind.eu

DWG NAME: LADM24.002.dfl - REV.: - DATE: 23/06/2017 - I.T.E. s.r.l. COMMITS ITSELF TO CONSTANTLY IMPROVE ITS PRODUCTS AND THEREFORE IT RESERVES THE RIGHT TO MODIFY DATA, FEATURES WITHOUT NOTICE.

BB & DBB MANIFOLD

1 2 3 4 5 6 7 8 9 10 11 12 13 14 15

EX.:

M 2 4 - 0 6 S T 8 N 8 N 4 P M

MODEL

M24 BLOCK & BLEED NEEDLE MANIFOLD I/O M/F THREADED 180°

RATING

06 Serie 6000
10 Serie 10000

MATERIAL

S Aisi 316L
A A105
D F51
E F55
F Monel 400
G C276 Hastelloy
H 6 Mo/F44
I Inconel 625

PACKING

T Teflon
G Graphoil

IN

4 1/4"
6 3/8"
8 1/2"
12 3/4"
20 M20 x 1,5

THREAD

N NPT
I BSPP GAS (ISO 1179)
K BSPT R/RC (ISO 7)
B Butt weld
S Socket Weld
M Metrico

OUT (Same as "IN" standard)

4 1/4"
6 3/8"
8 1/2"
12 3/4"
20 M20 x 1,5

THREAD (Same as "IN" standard)

N NPT
R BSPP GAS (EN 837-1) - Gauge connection
I BSPP GAS (ISO 1179)
K BSPT R/RC (ISO 7)
B Butt weld
S Socket Weld
M Metrico

DRAIN

/
4 1/4 NPT
8 1/2 NPT

OPTIONS

/
B All component 316L
C Special Testing
D Custom marking
E T-Bar 316L
L Lox cleaning
TI Isolate Anti-tamper
K Padlock for all anti tamper bonnet
T Mounted plug drain
KT Padlock for all T-bar bonnet
CR Criogenic Version