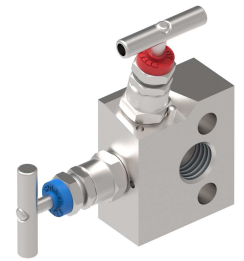
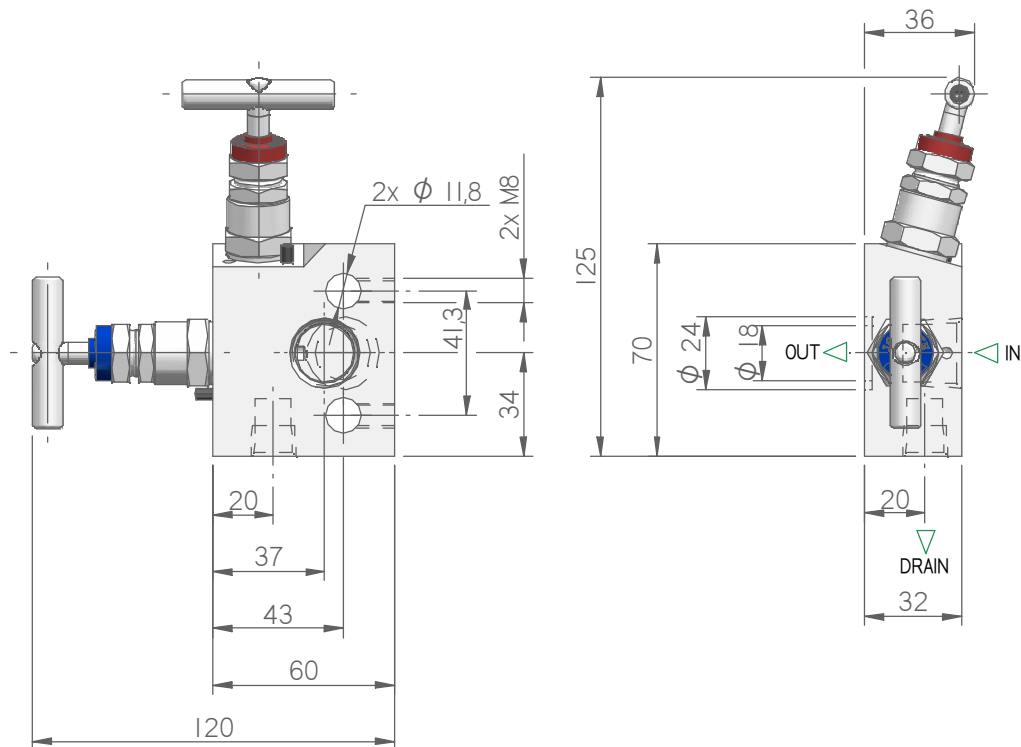
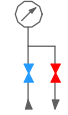


MODEL: M26

DIRECT MOUNT MANIFOLD



Suitable for direct mounting to gauge transmitter or one cell of a differential pressure transmitter.



MODEL SELECTION

| MODEL | RATING | MATERIAL | PACKING | IN | OUT | VENT | CODE | WEIGH | NOTE | |
|-------|-----------|-----------|---------|------------|-------------|------------|----------------|--------|--|----------------|
| M26 | 3K psi | AISI 316L | PTFE | 1/2" NPT-F | IEC 61518/B | 1/4" NPT-F | M26-03ST8NFLB4 | 1,2 Kg | Packing material PTFE as standard max temperature 180 °C. The dimensions shown apply only to the illustrated valve – if you need the dimensions for your individual type or should you still not find your options at all please contact the factory. | |
| | | ASTM A105 | | | | | M26-03AT8NFLB4 | | | |
| | | F51 | | | | | M26-03DT8NFLB4 | | | |
| | | F55 | | | | | M26-03ET8NFLB4 | | | |
| | | ALLOY 400 | | | | | M26-03FT8NFLB4 | | | |
| | | C276 | | | | | M26-03GT8NFLB4 | | | |
| | | 6MO | | | | | M26-03HT8NFLB4 | | | |
| | | I625 | | | | | M26-03IT8NFLB4 | | | |
| | | 6K psi | | | | | AISI 316L | | | M26-06ST8NFLB4 |
| | | | | | | | ASTM A105 | | | M26-06AT8NFLB4 |
| | F51 | | | | | | M26-06DT8NFLB4 | | | |
| | F55 | | | | | | M26-06ET8NFLB4 | | | |
| | ALLOY 400 | | | | | | M26-06FT8NFLB4 | | | |
| | C276 | | | | | | M26-06GT8NFLB4 | | | |
| | 6MO | | | | | | M26-06HT8NFLB4 | | | |
| | I625 | | | | | | M26-06IT8NFLB4 | | | |

I.T.E. s.r.l. COMMITS ITSELF TO CONSTANTLY IMPROVE ITS PRODUCTS AND THEREFORE IT RESERVES THE RIGHT TO MODIFY DATA, FEATURES WITHOUT NOTICE.

DIRECT MANIFOLD - CODIFICA

1 2 3 4 5 6 7 8 9 10 11 12 13 14 15 16

ESEMPIO:

M 2 6 - 0 6 S T F L A F L B 4 P

MODEL

M26 DIRECT MANIFOLD 2 VLV 70x32 I/O 180° THD/FLG

RATING

03 Serie 3000
06 Serie 6000

MATERIAL

S Aisi 316L
A A105
D F51
E F55
F Monel 400
G C276 Hastelloy
H 6 Mo/F44
I Inconel 625

PACKING

T Teflon
G Graphoil

IN

4 1/4"
6 3/8"
8 1/2"
FL FLANGED

THREAD

N NPT
I BSPP GAS (ISO 1179)
K BSPT R/RC (ISO 7)
B Butt weld
S Socket Weld
A FLANGED

OUT

FL FLANGED

FLANGED

A FLANGED ITE
B IEC 61518 - B

DRAIN

/
4 1/4 NPT

OPTIONS

/
B All component 316L
C Prove speciali
D Custom marking
E T-Bar 316L
L Lox cleaning
TI Isolate Anti-tamper
K Padlock for all anti tamper bonnet
T Mounted plug drain
KT Padlock for all T-bar bonnet