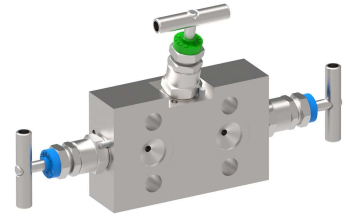
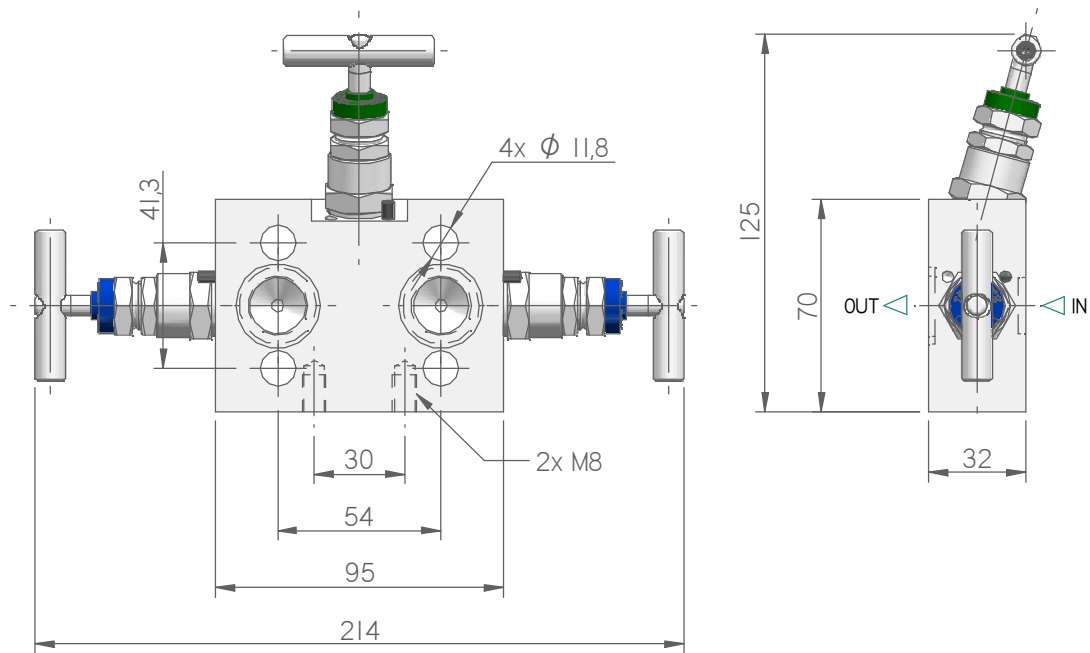
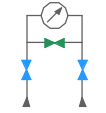


MODEL: M331

DIRECT MOUNT MANIFOLD



Suitable for direct mounting to gauge transmitter or a differential pressure transmitter.



MODEL SELECTION

MODEL	RATING	MATERIAL	PACKING	IN	OUT	CODE	WEIGH	NOTE
M331	3K psi	AISI 316L	PTFE	IEC 61518	IEC 61518/B	M331-03STFLAFLB4	1,9 Kg	Packing material PTFE as standard max temperature 180 °C. The dimensions shown apply only to the illustrated valve – if you need the dimensions for your individual type or should you still not find your options at all please contact the factory.
		ASTM A105				M331-03ATFLAFLB4		
		F51				M331-03DTFLAFLB4		
		F55				M331-03ETFLAFLB4		
		ALLOY 400				M331-03FTFLAFLB4		
		C276				M331-03GTFLAFLB4		
		6MO				M331-03HTFLAFLB4		
		I625				M331-03ITFLAFLB4		
		6K psi				AISI 316L		
	ASTM A105					M331-06ATFLAFLB4		
	F51					M331-06DTFLAFLB4		
	F55					M331-06ETFLAFLB4		
	ALLOY 400					M331-06FTFLAFLB4		
	C276					M331-06GTFLAFLB4		
	6MO					M331-06HTFLAFLB4		
	I625					M331-06ITFLAFLB4		

I.T.E. s.r.l. COMMITS ITSELF TO CONSTANTLY IMPROVE ITS PRODUCTS AND THEREFORE IT RESERVES THE RIGHT TO MODIFY DATA, FEATURES WITHOUT NOTICE.

DIRECT MANIFOLD

1 2 3 4 5 6 7 8 9 10 11 12 13 14 15 16 17

EX

M	3	3	1	-	0	6	S	T	F	L	A	F	L	B	4
---	---	---	---	---	---	---	---	---	---	---	---	---	---	---	---

MODEL

M331 DIRECT MANIFOLD 3 VLV 70x32 I/O 180° FLG/FLG

RATING

03 Serie 3000
06 Serie 6000

MATERIAL

S Aisi 316L
A A105
D F51
E F55
F Monel 400
G C276 Hastelloy
H 6 Mo/F44
I Inconel 625

PACKING

T Teflon
G Graphoil

IN

4 1/4"
6 3/8"
8 1/2"
FL FLANGED

THREAD

N NPT
I BSPP GAS (ISO 1179)
K BSPT R/RC (ISO 7)
B Butt weld
S Socket Weld
A FLANGED

OUT

FL FLANGED

FLANGED

A FLANGED ITE
B IEC 61518 - B

DRAIN

/
4 1/4 NPT

OPTIONS

/
B All component 316L
C Prove speciali
D Custom marking
E T-Bar 316L
L Lox cleaning
TI Isolate Anti-tamper
K Padlock for all anti tamper bonnet
T Mounted plug drain
KT Padlock for all T-bar bonnet