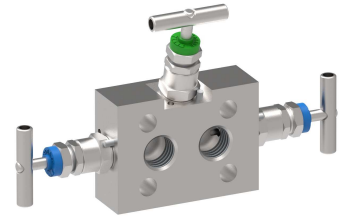
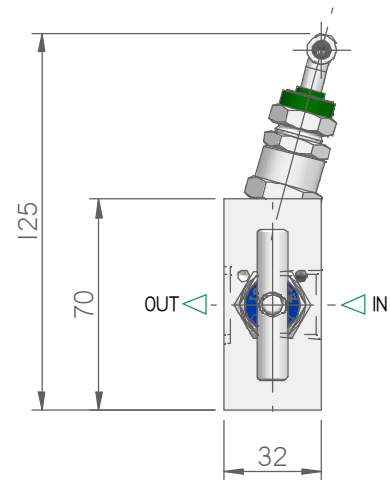
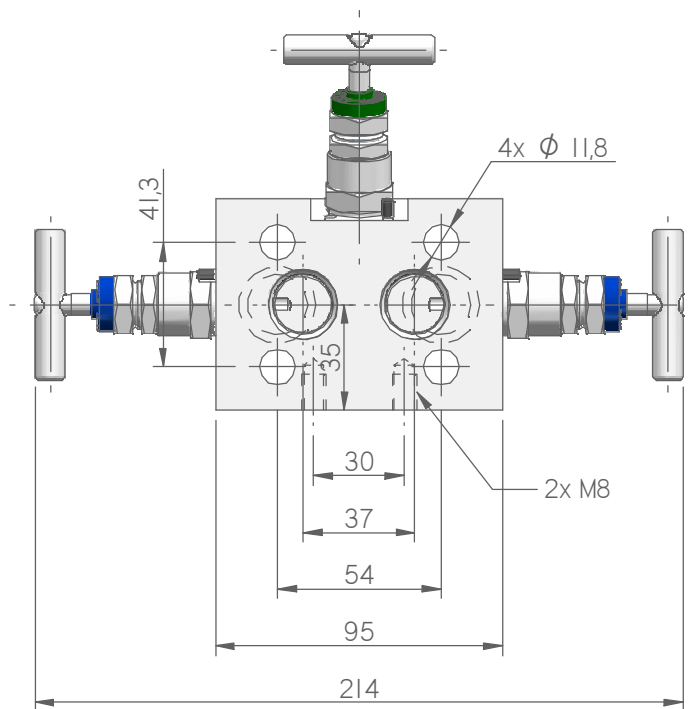
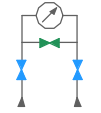


MODEL: M341

DIRECT MOUNT MANIFOLD



Suitable for direct mounting to gauge transmitter or a differential pressure transmitter.



MODEL SELECTION

MODEL	RATING	MATERIAL	PACKING	IN	OUT	CODE	WEIGH	NOTE
M341	3K psi	AISI 316L	PTFE	1/2" NPT-F	IEC 61518/B	M341-03ST8NFLB	1,9 Kg	Packing material PTFE as standard max temperature 180 °C. The dimensions shown apply only to the illustrated valve – if you need the dimensions for your individual type or should you still not find your options at all please contact the factory.
		ASTM A105				M341-03AT8NFLB		
		F51				M341-03DT8NFLB		
		F55				M341-03ET8NFLB		
		ALLOY 400				M341-03FT8NFLB		
		C276				M341-03GT8NFLB		
		6MO				M341-03HT8NFLB		
	I625	M341-03IT8NFLB						
	6K psi	AISI 316L				M341-06ST8NFLB		
		ASTM A105				M341-06AT8NFLB		
		F51				M341-06DT8NFLB		
		F55				M341-06ET8NFLB		
		ALLOY 400				M341-06FT8NFLB		
		C276				M341-06GT8NFLB		
6MO		M341-06HT8NFLB						
I625	M341-06IT8NFLB							

I.T.E. s.r.l. COMMITS ITSELF TO CONSTANTLY IMPROVE ITS PRODUCTS AND THEREFORE IT RESERVES THE RIGHT TO MODIFY DATA, FEATURES WITHOUT NOTICE.

DIRECT MANIFOLD

1 2 3 4 5 6 7 8 9 10 11 12 13 14 15 16 17

EX

M 3 4 1 - 0 6 S T F L A F L B 4

MODEL

M341 DIRECT MANIFOLD 3 VLV 70x32 I/O 180° THD/FLG

RATING

03 Serie 3000
06 Serie 6000

MATERIAL

S Aisi 316L
A A105
D F51
E F55
F Monel 400
G C276 Hastelloy
H 6 Mo/F44
I Inconel 625

PACKING

T Teflon
G Graphoil

IN

4 1/4"
6 3/8"
8 1/2"
FL FLANGED

THREAD

N NPT
I BSPP GAS (ISO 1179)
K BSPT R/RC (ISO 7)
B Butt weld
S Socket Weld
A FLANGED

OUT

FL FLANGED

FLANGED

A FLANGED ITE
B IEC 61518 - B

DRAIN

/
4 1/4 NPT

OPTIONS

/
B All component 316L
C Prove speciali
D Custom marking
E T-Bar 316L
L Lox cleaning
TI Isolate Anti-tamper
K Padlock for all anti tamper bonnet
T Mounted plug drain
KT Padlock for all T-bar bonnet