

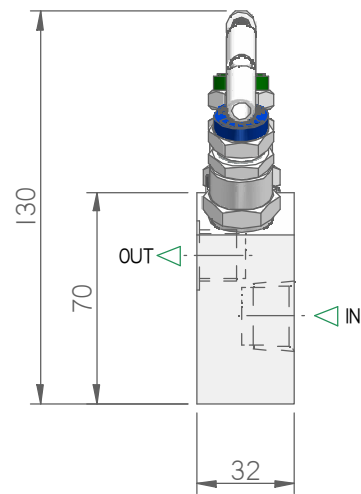
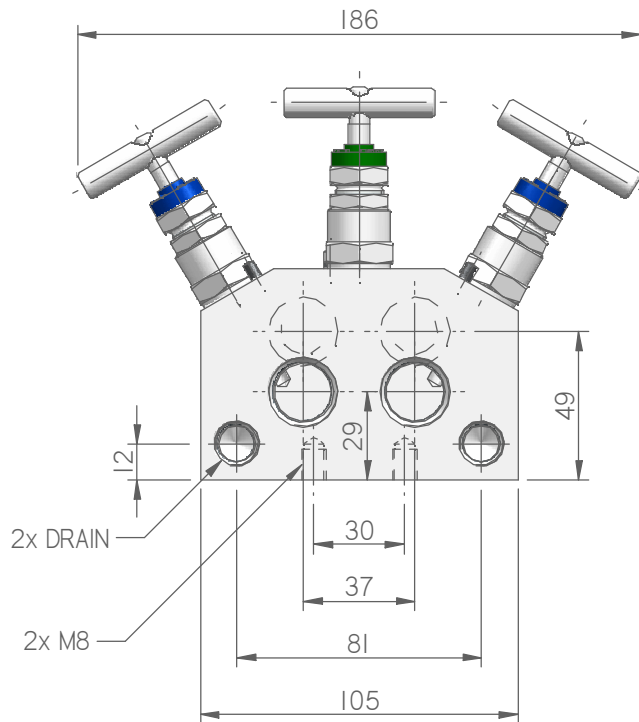
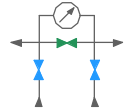
MODEL:

# M3637

DIFFERENTIAL PRESSURE GAUGE MANIFOLD



Suitable for mounting differential pressure gauge.



## MODEL SELECTION

MODEL	RATING	MATERIAL	PACKING	IN	OUT	VENT	CODE	WEIGHT	NOTE	
M3637	6K psi	AISI 316L	PTFE	1/2" NPT-F	G 3/8"	1/4" NPT-F	M3637-06ST8N6I4	2 Kg	Packing material PTFE as standard max temperature 180 °C. *G Thread according to ISO 1179-1 The dimensions shown apply only to the illustrated valve – if you need the dimensions for your individual type or should you still not find your options at all please contact the factory.	
		ASTM A105					M3637-06AT8N6I4			
		F51					M3637-06DT8N6I4			
		F55					M3637-06ET8N6I4			
		ALLOY 400					M3637-06FT8N6I4			
		C276					M3637-06GT8N6I4			
		6MO					M3637-06HT8N6I4			
		I625					M3637-06IT8N6I4			
		10K psi					AISI 316L			M3637-10ST8N6I4
							ASTM A105			M3637-10AT8N6I4
	F51						M3637-10DT8N6I4			
	F55						M3637-10ET8N6I4			
	ALLOY 400						M3637-10FT8N6I4			
	C276						M3637-10GT8N6I4			
	6MO						M3637-10HT8N6I4			
	I625						M3637-10IT8N6I4			

I.T.E. s.r.l. COMMITS ITSELF TO CONSTANTLY IMPROVE ITS PRODUCTS AND THEREFORE IT RESERVES THE RIGHT TO MODIFY DATA, FEATURES WITHOUT NOTICE.

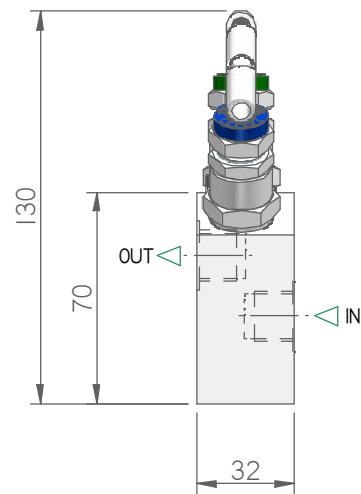
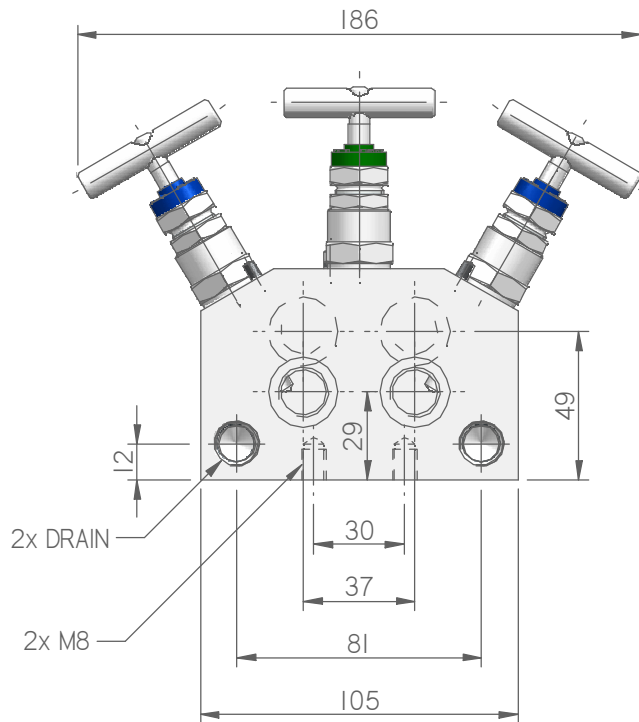
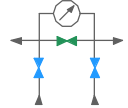
MODEL:

# M3637

DIFFERENTIAL PRESSURE GAUGE MANIFOLD



Suitable for mounting differential pressure gauge.



## MODEL SELECTION

MODEL	RATING	MATERIAL	PACKING	IN	OUT	VENT	CODE	WEIGHT	NOTE	
M3637	6K psi	AISI 316L	PTFE	G 3/8"	G 3/8"	1/4" NPT-F	M3637-06ST6I6I4	2 Kg	Packing material PTFE as standard max temperature 180 °C. *G Thread according to ISO 1179-1 The dimensions shown apply only to the illustrated valve – if you need the dimensions for your individual type or should you still not find your options at all please contact the factory.	
		ASTM A105					M3637-06AT6I6I4			
		F51					M3637-06DT6I6I4			
		F55					M3637-06ET6I6I4			
		ALLOY 400					M3637-06FT6I6I4			
		C276					M3637-06GT6I6I4			
		6MO					M3637-06HT6I6I4			
		I625					M3637-06IT6I6I4			
		10K psi					AISI 316L			M3637-10ST6I6I4
							ASTM A105			M3637-10AT6I6I4
	F51						M3637-10DT6I6I4			
	F55						M3637-10ET6I6I4			
	ALLOY 400						M3637-10FT6I6I4			
	C276						M3637-10GT6I6I4			
	6MO						M3637-10HT6I6I4			
	I625						M3637-10IT6I6I4			

I.T.E. s.r.l. COMMITS ITSELF TO CONSTANTLY IMPROVE ITS PRODUCTS AND THEREFORE IT RESERVES THE RIGHT TO MODIFY DATA, FEATURES WITHOUT NOTICE.

# DP MANIFOLD

1 2 3 4 5 6 7 8 9 10 11 12 13 14 15 16 17 18

Ex.:

M 3 6 3 7 - 0 6 S T 8 N 8 R 4 I 1 L

## MODEL

M3637 3VALVE MANIFOLD FOR DP GAUGE CENTER TO CENTER 37mm

## RATING

06 Serie 6000  
10 Serie 10000

## MATERIAL

S Aisi 316L  
A A105  
D F51  
E F55  
F Monel 400  
G C276 Hastelloy  
H 6 Mo/F44  
I Inconel 625

## PACKING

T Teflon  
G Graphoil

## IN

4 1/4"  
6 3/8"  
8 1/2"  
20 M20 x 1,5

## THREAD

N NPT  
R Gas EN 837-1 - (thread female on body only G 3/8 according to ISO 1179-1)  
M ISO (EN 837-1 design) (thread female on body only G 3/8 according to ISO 1179-1)

## TYPE

/  
1 Male Adaptor  
2 Female Adaptor (no for thread G 3/8 or 1/2" NPT)  
3 Swivel male connector  
4 Swivel female connector

## OUT

4 1/4"  
6 3/8"  
8 1/2"  
20 M20 x 1,5

## THREAD

N NPT  
R Gas EN 837-1 - (thread female on body only G 3/8 according to ISO 1179-1)  
M ISO (EN 837-1 design) (thread female on body only G 3/8 according to ISO 1179-1)

## TYPE

/  
1 Male Adaptor  
2 Female Adaptor (no for thread G 3/8 or 1/2" NPT)  
3 Swivel male connector  
4 Swivel female connector

## DRAIN

/  
4 1/4 NPT

## OPTIONS

/  
B All component 316L  
C Prove speciali  
D Custom marking  
E T-Bar 316L  
L Lox cleaning  
All bonnet Anti-tamper  
K Padlock for all anti tamper bonnet  
T Mounted plug drain  
KT Padlock for all T-bar bonnet  
CR Criogenic Version