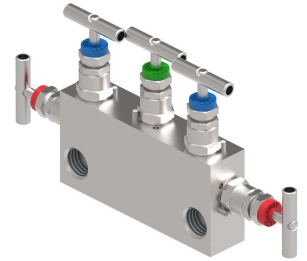
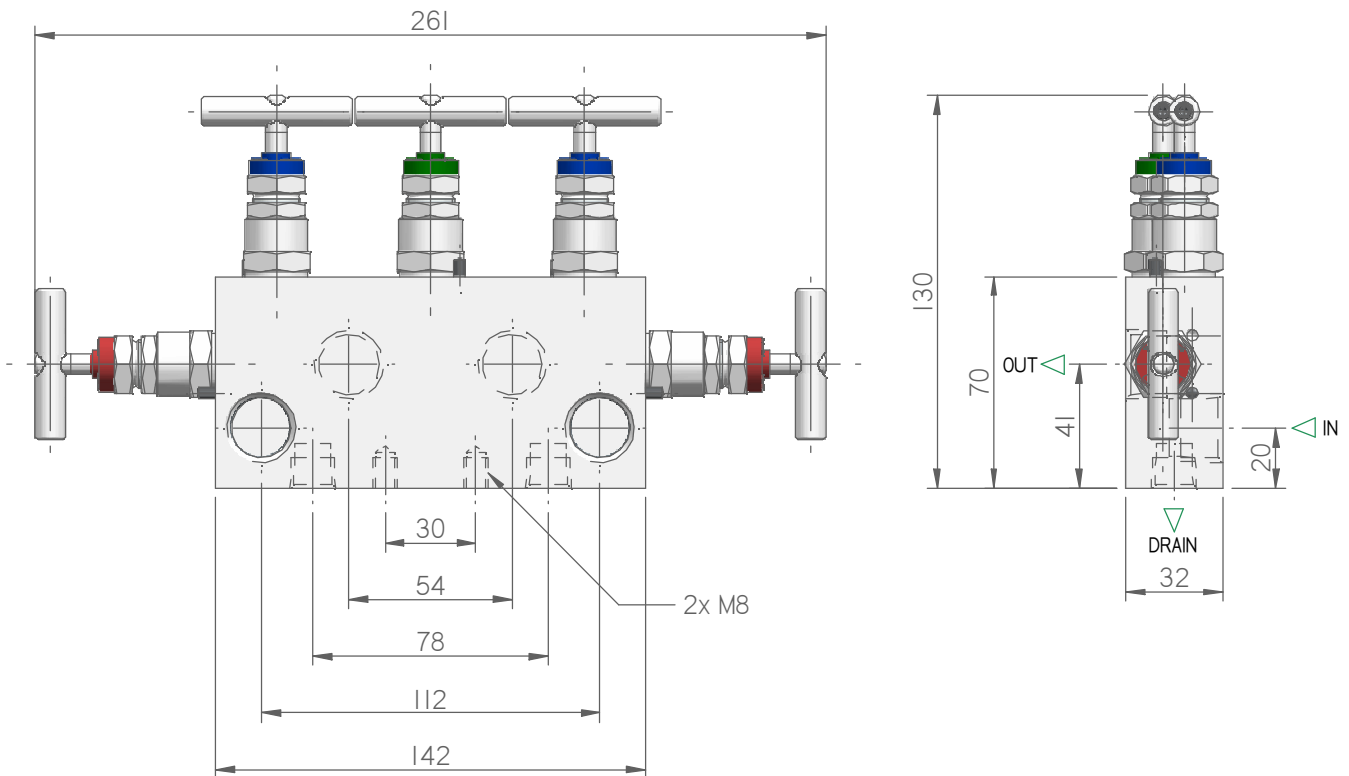
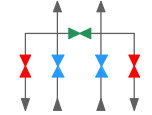


# MODEL: M54

REMOTE MOUNTED MANIFOLD



This manifold are designed for remote installation from Pressure Instruments or Differential Pressure Transmitters.



## MODEL SELECTION

MODEL	RATING	MATERIAL	PACKING	IN	OUT	VENT	CODE	WEIGHT	NOTE	
M54	6K psi	AISI 316L	PTFE	1/2" NPT-F	1/2" NPT-F	1/4" NPT-F	M54-06ST8N8N4	3 Kg	Packing material PTFE as standard max temperature 180 °C.  The dimensions shown apply only to the illustrated valve – if you need the dimensions for your individual type or should you still not find your options at all please contact the factory.	
		ASTM A105					M54-06AT8N8N4			
		F51					M54-06DT8N8N4			
		F55					M54-06ET8N8N4			
		ALLOY 400					M54-06FT8N8N4			
		C276					M54-06GT8N8N4			
		6MO					M54-06HT8N8N4			
		I625					M54-06IT8N8N4			
		10K psi					AISI 316L			M54-10ST8N8N4
							ASTM A105			M54-10AT8N8N4
	F51						M54-10DT8N8N4			
	F55						M54-10ET8N8N4			
	ALLOY 400						M54-10FT8N8N4			
	C276						M54-10GT8N8N4			
	6MO						M54-10HT8N8N4			
	I625						M54-10IT8N8N4			

I.T.E. s.r.l. COMMITS ITSELF TO CONSTANTLY IMPROVE ITS PRODUCTS AND THEREFORE IT RESERVES THE RIGHT TO MODIFY DATA, FEATURES WITHOUT NOTICE.

# REMOTE MANIFOLD - CODIFICA

1 2 3 4 5 6 7 8 9 10 11 12 13 14 15

ESEMPIO:

M 5 4 - 0 6 S T 8 N 8 N 4

## MODEL

M54 REMOTE MANIFOLD 5 VLV 70x32 I/O 180° WITH DRAIN

## RATING

06 Serie 6000  
10 Serie 10000

## MATERIAL

S Aisi 316L  
A A105  
D F51  
E F55  
F Monel 400  
G C276 Hastelloy  
H 6 Mo/F44  
I Inconel 625

## PACKING

T Teflon  
G Graphoil

## IN

4 1/4"  
6 3/8"  
8 1/2"  
12 3/4"  
20 M20 x 1,5

## THREAD

N NPT  
I BSPP GAS (ISO 1179)  
K BSPT R/RC (ISO 7)  
B Butt weld  
S Socket Weld  
M Metrico

## OUT (Same as "IN" standard)

4 1/4"  
6 3/8"  
8 1/2"  
12 3/4"  
20 M20 x 1,5

## THREAD (Same as "IN" standard)

N NPT  
I BSPP GAS (ISO 1179)  
K BSPT R/RC (ISO 7)  
B Butt weld  
S Socket Weld  
M Metrico

## DRAIN

/  
4 1/4 NPT  
8 1/2 NPT

## OPTIONS

/  
B All component 316L  
C Special Testing  
D Custom marking  
E T-Bar 316L  
L Lox cleaning  
TI Isolate Anti-tamper  
K Padlock for all anti tamper bonnet  
T Mounted plug drain  
KT Padlock for all T-bar bonnet  
CR Criogenic Version