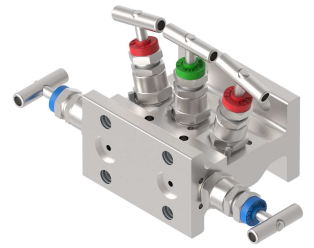
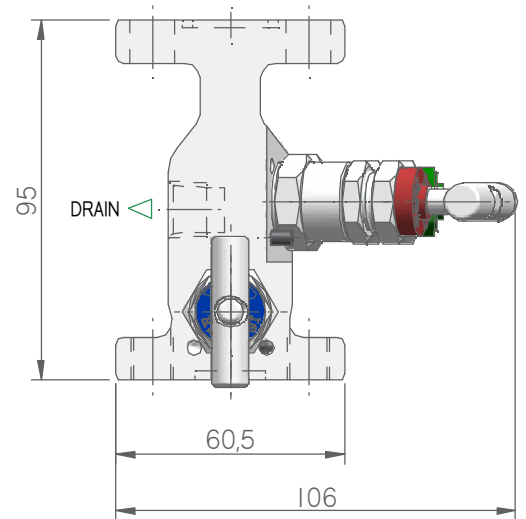
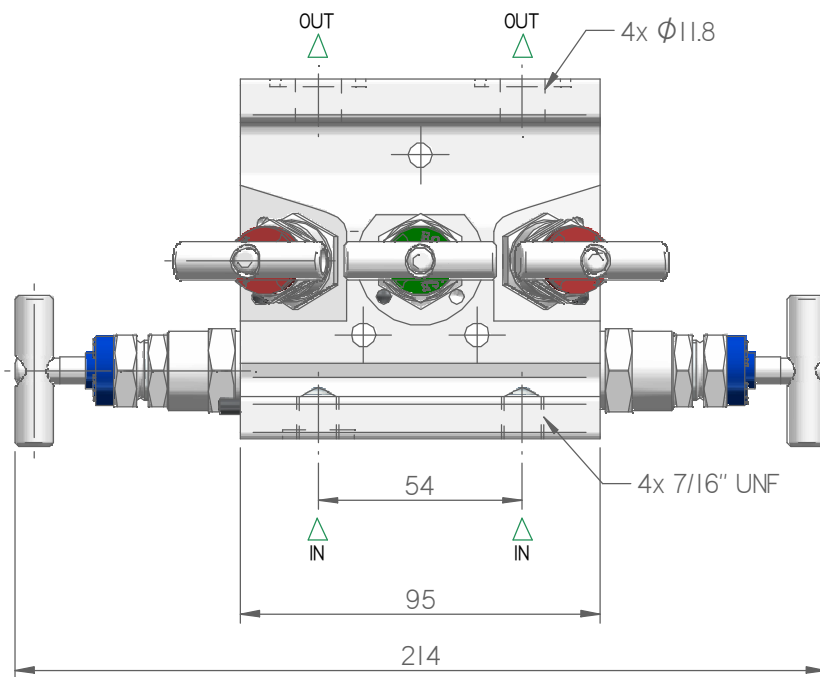
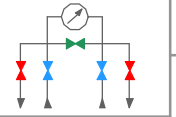


# MODEL: M550

DIRECT MOUNT MANIFOLD



Suitable for direct mounting to gauge transmitter or a differential pressure transmitter.



## MODEL SELECTION

MODEL	RATING	MATERIAL	PACKING	IN	OUT	VENT	CODE	WEIGH	NOTE
M550	3K psi	AISI 316L	PTFE	IEC 61518	IEC 61518/B	2x1/4" NPT-F	M550-03STFLAFLB4	3 Kg	Packing material PTFE as standard max temperature 180 °C.  The dimensions shown apply only to the illustrated valve – if you need the dimensions for your individual type or should you still not find your options at all please contact the factory.
	6K psi						M550-06STFLAFLB4		

I.T.E. s.r.l. COMMITS ITSELF TO CONSTANTLY IMPROVE ITS PRODUCTS AND THEREFORE IT RESERVES THE RIGHT TO MODIFY DATA, FEATURES WITHOUT NOTICE.

# DIRECT MANIFOLD

1 2 3 4 5 6 7 8 9 10 11 12 13 14 15 16 17

EX

M 5 5 0 - 0 6 S T F L A F L B 4

## MODEL

M550 DIRECT MANIFOLD 3 VLV "T" I/O 180° FLG/FLG WITH DRAIN

## RATING

03 Serie 3000  
06 Serie 6000

## MATERIAL

S Aisi 316L  
A A105  
D F51  
E F55  
F Monel 400  
G C276 Hastelloy  
H 6 Mo/F44  
I Inconel 625

## PACKING

T Teflon  
G Graphoil

## IN

4 1/4"  
6 3/8"  
8 1/2"  
FL FLANGED

## THREAD

N NPT  
I BSPP GAS (ISO 1179)  
K BSPT R/RC (ISO 7)  
B Butt weld  
S Socket Weld  
A FLANGED

## OUT

FL FLANGED

## FLANGED

A FLANGED ITE  
B IEC 61518 - B

## DRAIN

/  
4 1/4 NPT

## OPTIONS

/  
B All component 316L  
C Prove speciali  
D Custom marking  
E T-Bar 316L  
L Lox cleaning  
TI Isolate Anti-tamper  
K Padlock for all anti tamper bonnet  
T Mounted plug drain  
KT Padlock for all T-bar bonnet