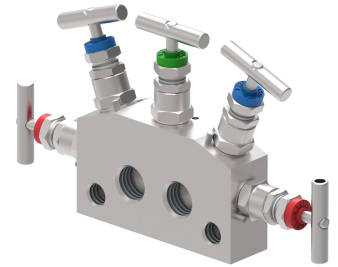


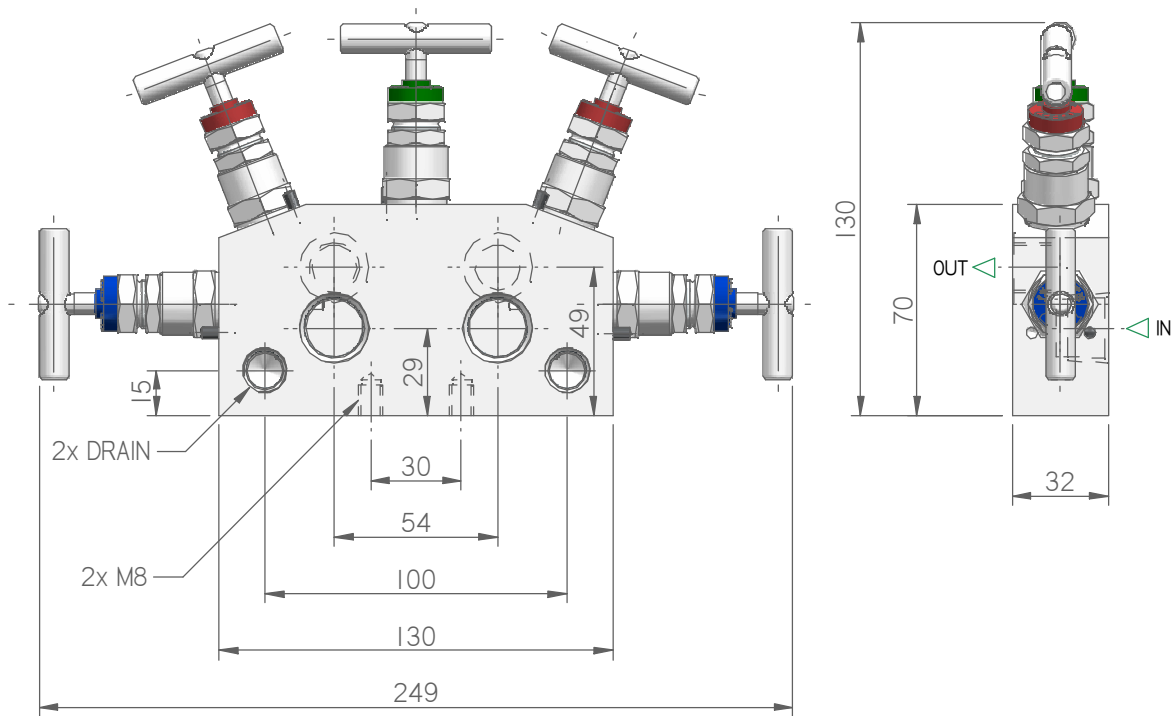
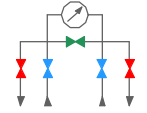
MODEL:

M5654

DIFFERENTIAL PRESSURE GAUGE MANIFOLD



Suitable for mounting differential pressure gauge.



MODEL SELECTION

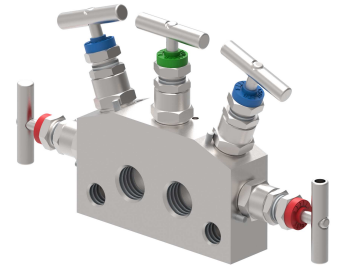
| MODEL | RATING | MATERIAL | PACKING | IN | OUT | VENT | CODE | WEIGHT | NOTE | |
|-------|-----------|-----------|---------|------------|--------|------------|-----------------|--------|---|-----------------|
| M5654 | 6K psi | AISI 316L | PTFE | 1/2" NPT-F | G 3/8" | 1/4" NPT-F | M5654-06ST8N6I4 | 2,7 Kg | Packing material PTFE as standard max temperature 180 °C. *G Thread according to ISO 1179-1 The dimensions shown apply only to the illustrated valve – if you need the dimensions for your individual type or should you still not find your options at all please contact the factory. | |
| | | ASTM A105 | | | | | M5654-06AT8N6I4 | | | |
| | | F51 | | | | | M5654-06DT8N6I4 | | | |
| | | F55 | | | | | M5654-06ET8N6I4 | | | |
| | | ALLOY 400 | | | | | M5654-06FT8N6I4 | | | |
| | | C276 | | | | | M5654-06GT8N6I4 | | | |
| | | 6MO | | | | | M5654-06HT8N6I4 | | | |
| | | I625 | | | | | M5654-06IT8N6I4 | | | |
| | | 10K psi | | | | | AISI 316L | | | M5654-10ST8N6I4 |
| | | | | | | | ASTM A105 | | | M5654-10AT8N6I4 |
| | F51 | | | | | | M5654-10DT8N6I4 | | | |
| | F55 | | | | | | M5654-10ET8N6I4 | | | |
| | ALLOY 400 | | | | | | M5654-10FT8N6I4 | | | |
| | C276 | | | | | | M5654-10GT8N6I4 | | | |
| | 6MO | | | | | | M5654-10HT8N6I4 | | | |
| | I625 | | | | | | M5654-10IT8N6I4 | | | |

I.T.E. s.r.l. COMMITS ITSELF TO CONSTANTLY IMPROVE ITS PRODUCTS AND THEREFORE IT RESERVES THE RIGHT TO MODIFY DATA, FEATURES WITHOUT NOTICE.

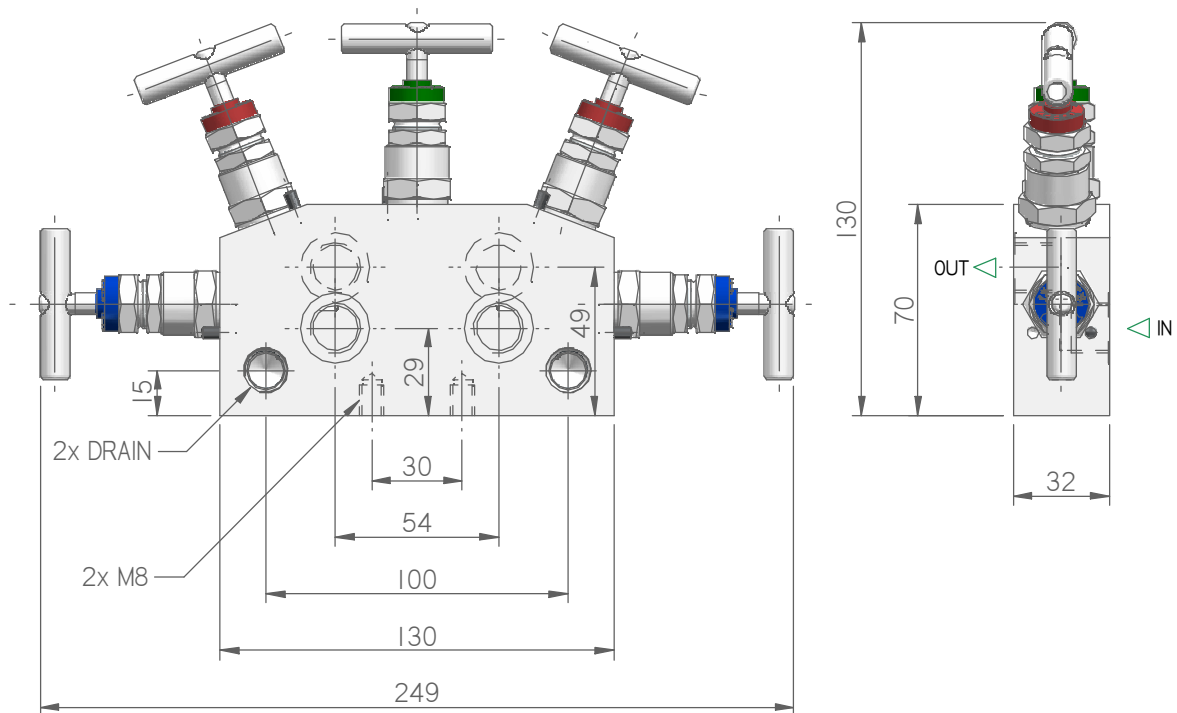
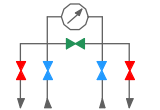
MODEL:

M5654

DIFFERENTIAL PRESSURE GAUGE MANIFOLD



Suitable for mounting differential pressure gauge.



MODEL SELECTION

| MODEL | RATING | MATERIAL | PACKING | IN | OUT | VENT | CODE | WEIGHT | NOTE | |
|-------|-----------|-----------|---------|--------|--------|------------|-----------------|--------|---|-----------------|
| M5654 | 6K psi | AISI 316L | PTFE | G 3/8" | G 3/8" | 1/4" NPT-F | M5654-06ST6I6I4 | 2,7 Kg | Packing material PTFE as standard max temperature 180 °C. *G Thread according to ISO 1179-1 The dimensions shown apply only to the illustrated valve – if you need the dimensions for your individual type or should you still not find your options at all please contact the factory. | |
| | | ASTM A105 | | | | | M5654-06AT6I6I4 | | | |
| | | F51 | | | | | M5654-06DT6I6I4 | | | |
| | | F55 | | | | | M5654-06ET6I6I4 | | | |
| | | ALLOY 400 | | | | | M5654-06FT6I6I4 | | | |
| | | C276 | | | | | M5654-06GT6I6I4 | | | |
| | | 6MO | | | | | M5654-06HT6I6I4 | | | |
| | | I625 | | | | | M5654-06IT6I6I4 | | | |
| | | 10K psi | | | | | AISI 316L | | | M5654-10ST6I6I4 |
| | | | | | | | ASTM A105 | | | M5654-10AT6I6I4 |
| | F51 | | | | | | M5654-10DT6I6I4 | | | |
| | F55 | | | | | | M5654-10ET6I6I4 | | | |
| | ALLOY 400 | | | | | | M5654-10FT6I6I4 | | | |
| | C276 | | | | | | M5654-10GT6I6I4 | | | |
| | 6MO | | | | | | M5654-10HT6I6I4 | | | |
| | I625 | | | | | | M5654-10IT6I6I4 | | | |

I.T.E. s.r.l. COMMITS ITSELF TO CONSTANTLY IMPROVE ITS PRODUCTS AND THEREFORE IT RESERVES THE RIGHT TO MODIFY DATA, FEATURES WITHOUT NOTICE.

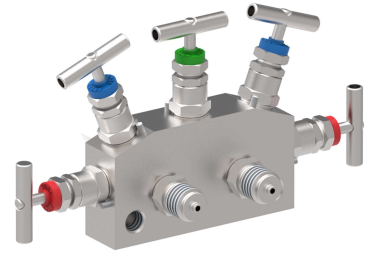
PandID® B.V. | : +31 174 280 371 | : info@pandid.nl | : www.pandid.nl | www.linemilioni.eu

DWG NAME: LADM5654.002.d1 - REV.: - DATE: 23/01/2018 - I.T.E. s.r.l. COMMITS ITSELF TO CONSTANTLY IMPROVE ITS PRODUCTS AND THEREFORE IT RESERVES THE RIGHT TO MODIFY DATA, FEATURES WITHOUT NOTICE.

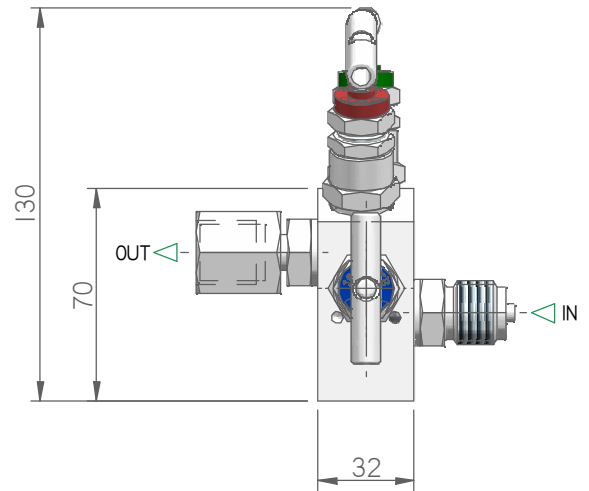
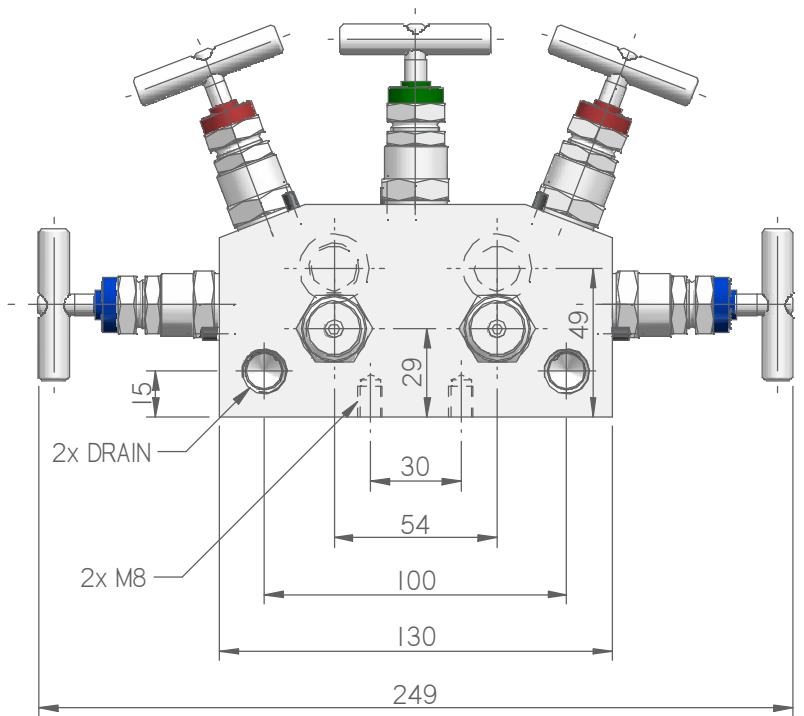
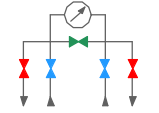
MODEL:

M5654

DIFFERENTIAL PRESSURE GAUGE MANIFOLD



Suitable for mounting differential pressure gauge.



MODEL SELECTION

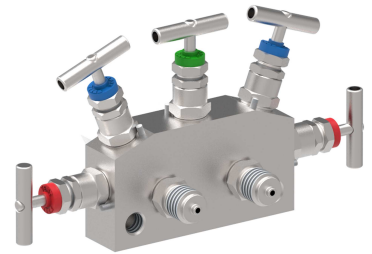
| MODEL | RATING | MATERIAL | PACKING | IN | OUT | VENT | CODE | WEIGHT | NOTE |
|-------|-------------------|-------------------|---------|-----------|---------|------------|---|--------|---|
| M5654 | 6K psi | AISI 316L | PTFE | G 1/2" B* | G 1/2** | 1/4" NPT-F | M5654-06ST8R18R44 | 3,2 Kg | Packing material PTFE as standard max temperature 180°C. *G Thread according to EN 837-1 |
| | | ASTM A105 | | | | | M5654-06AT8R18R44 | | |
| | | F51 | | | | | M5654-06DT8R18R44 | | |
| | | F55 | | | | | M5654-06ET8R18R44 | | |
| | | ALLOY 400 | | | | | M5654-06FT8R18R44 | | |
| | | C276 | | | | | M5654-06GT8R18R44 | | |
| | | 6MO | | | | | M5654-06HT8R18R44 | | |
| | 10K psi | I625 | | | | | M5654-06IT8R18R44 | | |
| | AISI 316L | M5654-10ST8R18R44 | | | | | The dimensions shown apply only to the illustrated valve – if you need the dimensions for your individual type or should you still not find your options at all please contact the factory. | | |
| | ASTM A105 | M5654-10AT8R18R44 | | | | | | | |
| | F51 | M5654-10DT8R18R44 | | | | | | | |
| | F55 | M5654-10ET8R18R44 | | | | | | | |
| | ALLOY 400 | M5654-10FT8R18R44 | | | | | | | |
| | C276 | M5654-10GT8R18R44 | | | | | | | |
| 6MO | M5654-10HT8R18R44 | | | | | | | | |
| I625 | M5654-10IT8R18R44 | | | | | | | | |

I.T.E. s.r.l. COMMITS ITSELF TO CONSTANTLY IMPROVE ITS PRODUCTS AND THEREFORE IT RESERVES THE RIGHT TO MODIFY DATA, FEATURES WITHOUT NOTICE.

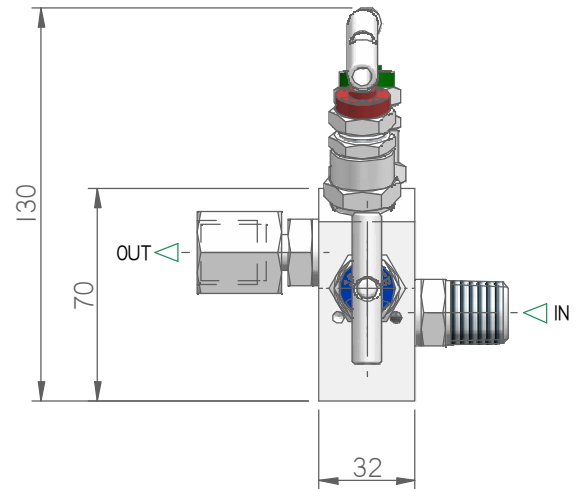
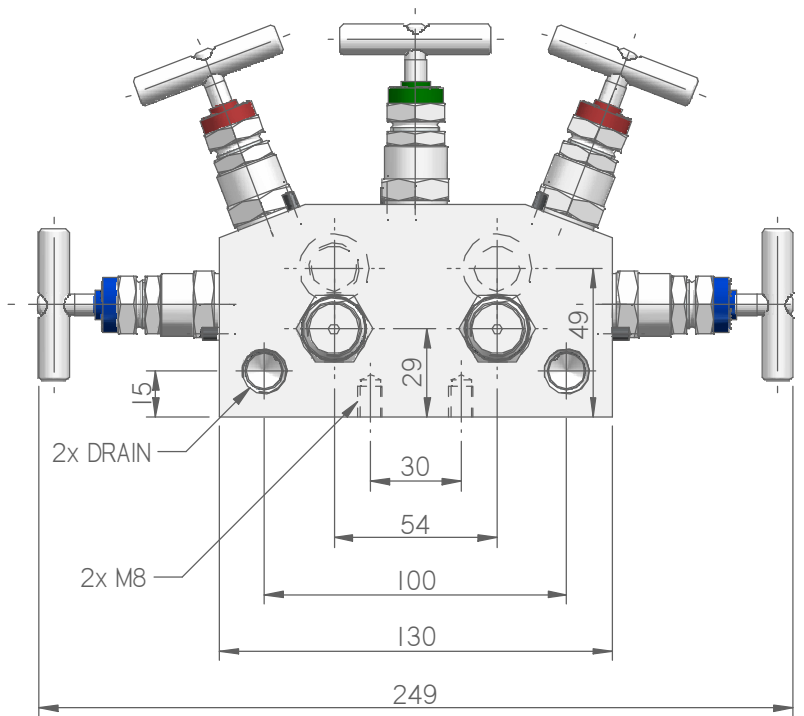
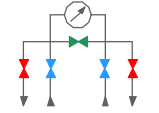
MODEL:

M5654

DIFFERENTIAL PRESSURE GAUGE MANIFOLD



Suitable for mounting differential pressure gauge.



MODEL SELECTION

| MODEL | RATING | MATERIAL | PACKING | IN | OUT | VENT | CODE | WEIGHT | NOTE |
|-------|-------------------|-------------------|---------|------------|---------|------------|-------------------|--------|---|
| M5654 | 6K psi | AISI 316L | PTFE | 1/2" NPT-M | G 1/2** | 1/4" NPT-F | M5654-06ST8N18R44 | 3,2 Kg | Packing material PTFE as standard max temperature 180°C. *G Thread according to EN 837-1 |
| | | ASTM A105 | | | | | M5654-06AT8N18R44 | | |
| | | F51 | | | | | M5654-06DT8N18R44 | | |
| | | F55 | | | | | M5654-06ET8N18R44 | | |
| | | ALLOY 400 | | | | | M5654-06FT8N18R44 | | |
| | | C276 | | | | | M5654-06GT8N18R44 | | |
| | | 6MO | | | | | M5654-06HT8N18R44 | | |
| | 10K psi | I625 | | | | | M5654-06IT8N18R44 | | |
| | AISI 316L | M5654-10ST8N18R44 | | | | | | | |
| | ASTM A105 | M5654-10AT8N18R44 | | | | | | | |
| | F51 | M5654-10DT8N18R44 | | | | | | | |
| | F55 | M5654-10ET8N18R44 | | | | | | | |
| | ALLOY 400 | M5654-10FT8N18R44 | | | | | | | |
| | C276 | M5654-10GT8N18R44 | | | | | | | |
| 6MO | M5654-10HT8N18R44 | | | | | | | | |
| I625 | M5654-10IT8N18R44 | | | | | | | | |

I.T.E. s.r.l. COMMITS ITSELF TO CONSTANTLY IMPROVE ITS PRODUCTS AND THEREFORE IT RESERVES THE RIGHT TO MODIFY DATA, FEATURES WITHOUT NOTICE.

DP MANIFOLD

1 2 3 4 5 6 7 8 9 10 11 12 13 14 15 16 17 18

Ex.:

M 5 6 5 4 - 0 6 S T 8 N 8 R 4 I 1 L

MODEL

M5654 3VALVE MANIFOLD FOR DP GAUGE CENTER TO CENTER 54mm

RATING

06 Serie 6000
10 Serie 10000

MATERIAL

S Aisi 316L
A A105
D F51
E F55
F Monel 400
G C276 Hastelloy
H 6 Mo/F44
I Inconel 625

PACKING

T Teflon
G Graphoil

IN

4 1/4"
6 3/8"
8 1/2"
20 M20 x 1,5

THREAD

N NPT
R Gas EN 837-1 - (thread female on body only G 3/8 according to ISO 1179-1)
M ISO (EN 837-1 design) (thread female on body only G 3/8 according to ISO 1179-1)

TYPE

/
1 Male Adaptor
2 Female Adaptor (no for thread G 3/8 or 1/2" NPT)
3 Swivel male connector
4 Swivel female connector

OUT

4 1/4"
6 3/8"
8 1/2"
20 M20 x 1,5

THREAD

N NPT
R Gas EN 837-1 - (thread female on body only G 3/8 according to ISO 1179-1)
M ISO (EN 837-1 design) (thread female on body only G 3/8 according to ISO 1179-1)

TYPE

/
1 Male Adaptor
2 Female Adaptor (no for thread G 3/8 or 1/2" NPT)
3 Swivel male connector
4 Swivel female connector

DRAIN

/
4 1/4 NPT

OPTIONS

/
B All component 316L
C Prove speciali
D Custom marking
E T-Bar 316L
L Lox cleaning
All bonnet Anti-tamper
K Padlock for all anti tamper bonnet
T Mounted plug drain
KT Padlock for all T-bar bonnet
CR Criogenic Version