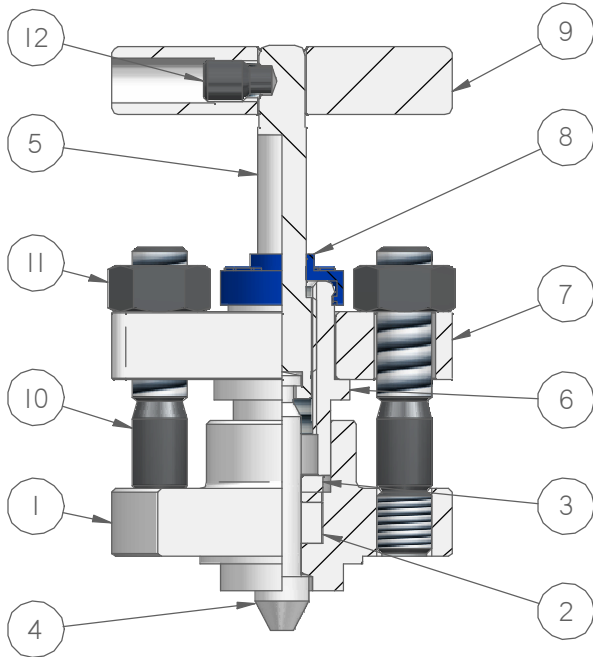


# MODEL: O.S. & Y.

## STANDARD VALVE



Standard Valve - Pressure rating up to 10.000 psig



### FEATURES

1	Metal to Metal Seal to Valve Body.
2	Adjustable packing installed below operating threads to prevent medium contamination or lubricant washout of operating threads.
3	Metal to Metal secondary needle seal.
4	Non-rotating lower stem for smooth operation and minimum wear of sealing elements. The lower stem is anti blow-out/non-removable for your safety.
5	Stem with cold rolled threads for high strength and smooth operation. Stem incorporated back stop design.
6	Gland packing adjuster.
7	Adjustable flange for regulate packing.
8	Close dust cup for operating thread protection and providing colour coded functional identification
9	Operating handle for low torque function. Operating options are Anti-Tamper or locking device features.

### LIST OF MATERIAL

POS	DESCRIPTION	AISI 316L	A105	LF2	F51	F55	ALLOY 400	ALLOY C276	ALLOY A625	6MO
1	BODY BONNET OS&Y	AISI 316L	A105	A350 LF2	F51	F55	A400	C276	A625	6MO
2	GLAND PACKING	PTFE								
3	GRAPHOIL THRUST BUSH	AISI 316L								
4	OS&Y LOWER STEM	AISI 316L	A105	A350 LF2	F51	F55	A400	C276	A625	6MO
5	OS&Y STDANDARD STEM	AISI 316L								
6	GLAND PACKING ADJUSTER	AISI 316L								
7	ADJUSTABLE FLANGE	AISI 316L								
8	DUST CUP	HYTREL BLU								
9	T HANDLE 50mm	AISI 316L								
10	THREADED ROD M8x35 - DIN 939	A2								
11	HEXAGONAL NUT M8 - DIN 934	A2								
12	NO HEAD SCREW M6x10 - 45H - DIN 915	A2								

PRESSURE VS TEMPERATURE	PACKING	RATING	COLOR CODED	OPTIONS
	PTFE	6K / 10K PSI	Isolate	
	GRAPHOIL		Vent/test Equalise	

I.T.E. s.r.l. COMMITS ITSELF TO CONSTANTLY IMPROVE ITS PRODUCTS AND THEREFORE IT RESERVES THE RIGHT TO MODIFY DATA, FEATURES WITHOUT NOTICE.

MODEL:  
**M81**

MONOFLANGE MANIFOLD

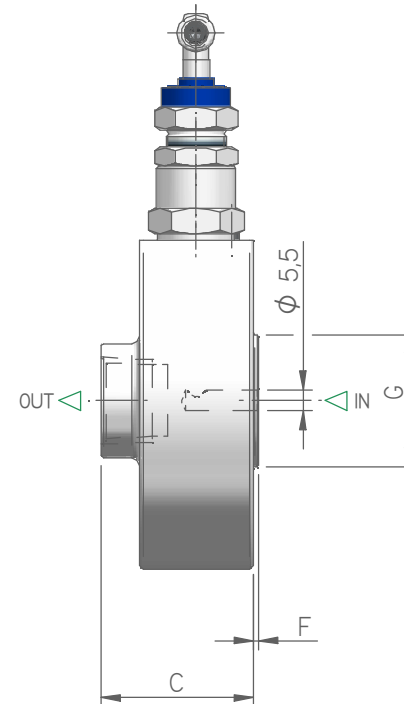
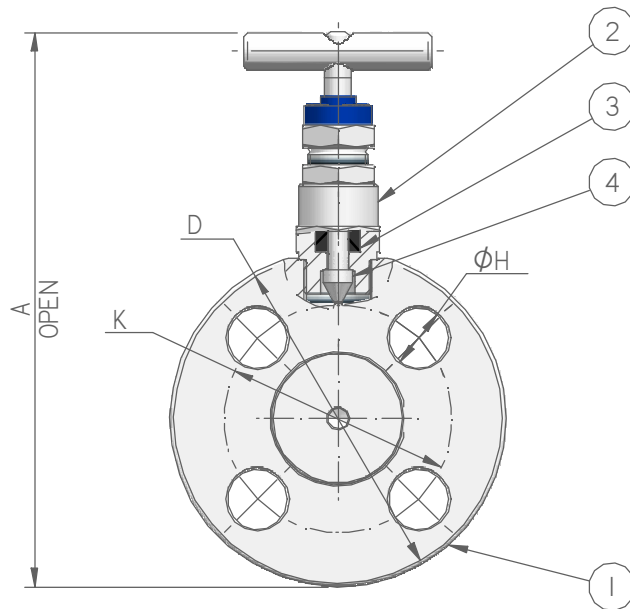


Block monoflange valve manifold with flanged inlet and threaded outlet connection.

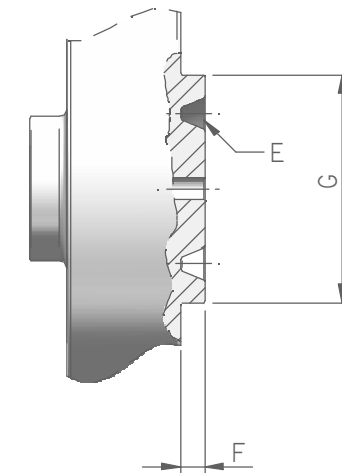


WETTED PARTS

POS.	DESCRIPTION	MATERIAL
1	M81RF - BODY 1/2 RF 150 x 1/2N x 1/4N	AISI 316L
2	BODY BONNET M18x1	AISI 316L
3	GLAND PACKING	GRAPHOIL
4	NEEDLE	AISI 316L



RJ VERSION



STANDARD MODEL SELECTION

MODEL	1st ISOLATE	IN - DN FLG	RATING	OUT	DRAIN	MATERIAL	PACKING	CODE	WEIGHT	A	C	D	K	H	F	G	E
M81RF	TEE BAR	1/2" (DN 15)	150	1/2" NPT-F	1/4" NPT-F	AISI 316L	GRAPHOIL	M81RF-8018N4SG	1,5 Kg	147	40	88,9	60,3	15,9	1,6	35	-
			300					1,6 Kg	154	95,2		66,7					
			600					1,7 Kg									
			900														
M81RJ	TEE BAR	1/2" (DN 15)	1500	1/2" NPT-F	1/4" NPT-F	AISI 316L	GRAPHOIL	M81RJ-8098N4SG	2,3 Kg	181	40	120,6	82,5	22,2	6,4	60,3	R12
			2500					3,3 Kg	193	133,3		88,9	R13				

I.T.E. s.r.l. COMMITS ITSELF TO CONSTANTLY IMPROVE ITS PRODUCTS AND THEREFORE IT RESERVES THE RIGHT TO MODIFY DATA, FEATURES WITHOUT

MODEL:  
**M81**

MONOFLANGE MANIFOLD

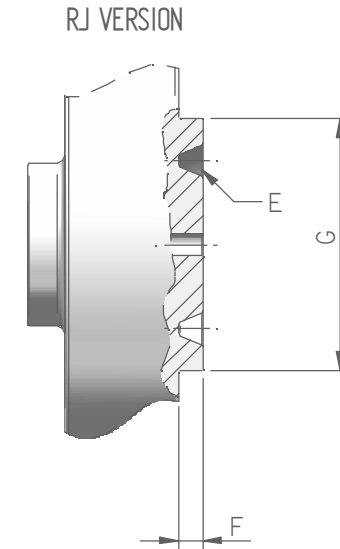
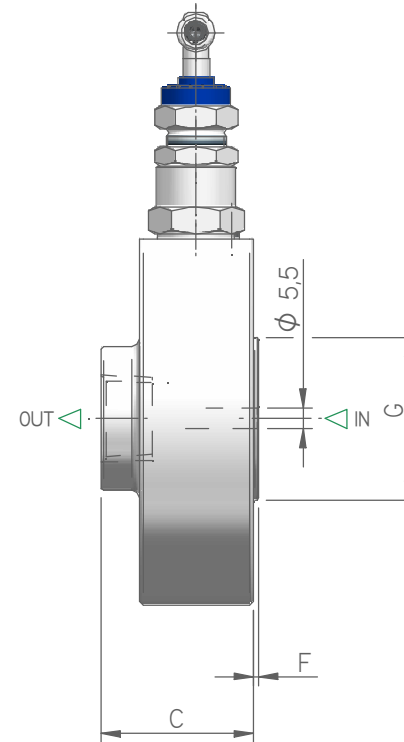
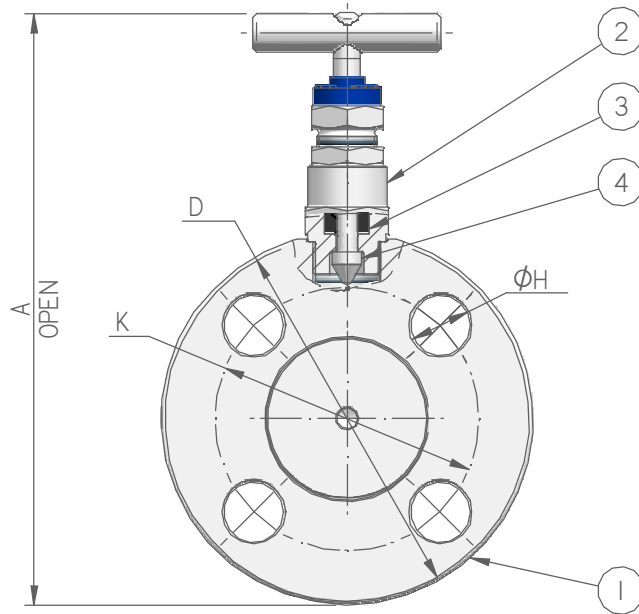


Block monoflange valve manifold with flanged inlet and threaded outlet connection.



WETTED PARTS

POS.	DESCRIPTION	MATERIAL
1	M81RF - BODY 3/4 RF 150 x 1/2N x 1/4N	AISI 316L
2	BODY BONNET M18x1	AISI 316L
3	GLAND PACKING	GRAPHOIL
4	NEEDLE	AISI 316L



STANDARD MODEL SELECTION

MODEL	1st ISOLATE	IN - DN FLG	RATING	OUT	DRAIN	MATERIAL	PACKING	CODE	WEIGHT	A	C	D	K	H	F	G	E
M81RF	TEE BAR	3/4" (DN 20)	150	1/2" NPT-F	1/4" NPT-F	AISI 316L	GRAPHOIL	M81RF-12018N4SG	1,9 Kg	156	40	96,4	69,8	15,9	1,6	42,9	-
			300					2,7 Kg	176	117,5		82,5	19				
			600							130,2		88,9	22,2				
M81RJ	TEE BAR	3/4" (DN 20)	900	1/2" NPT-F	1/4" NPT-F	AISI 316L	GRAPHOIL	M81RJ-12098N4SG	3,4 Kg	189	41,7	130,2	88,9	22,2	6,4	66,7	R14
			1500					3,9 Kg	199	139,7		95,2					
			2500							73		R16					

I.T.E. s.r.l. COMMITS ITSELF TO CONSTANTLY IMPROVE ITS PRODUCTS AND THEREFORE IT RESERVES THE RIGHT TO MODIFY DATA, FEATURES WITHOUT NOTICE.

MODEL:  
**M81**

MONOFLANGE MANIFOLD

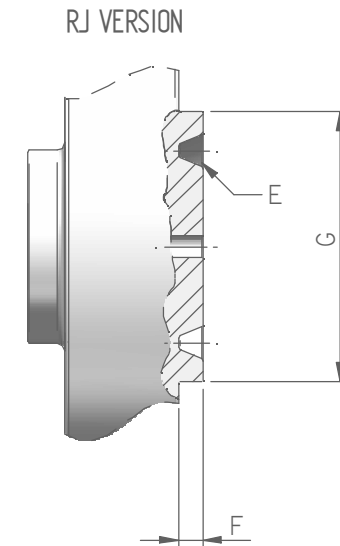
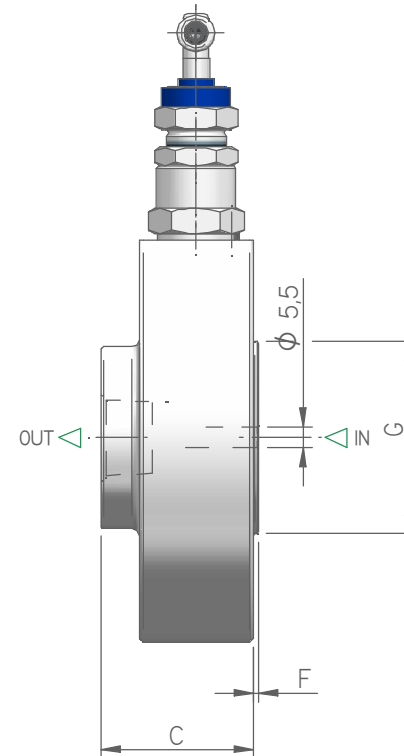
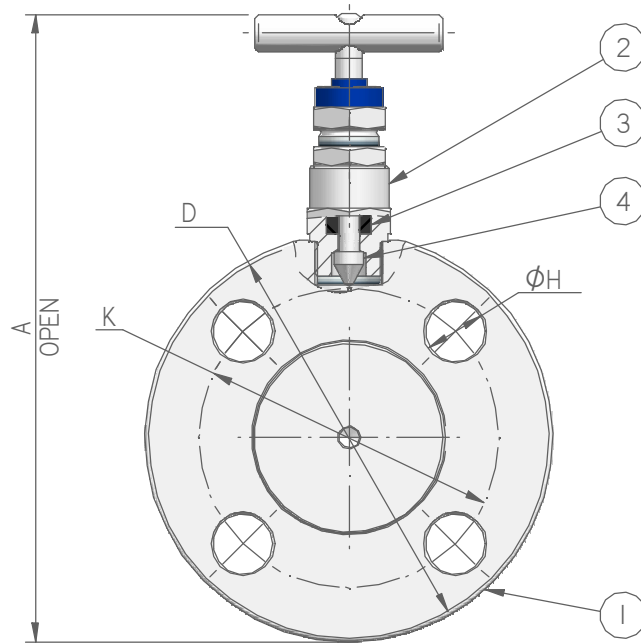


Block monoflange valve manifold with flanged inlet and threaded outlet connection.



WETTED PARTS

POS.	DESCRIPTION	MATERIAL
1	M81RF - BODY 1 RF 150 x 1/2N x 1/4N	AISI 316L
2	BODY BONNET M18x1	AISI 316L
3	GLAND PACKING	GRAPHOIL
4	NEEDLE	AISI 316L



STANDARD MODEL SELECTION

MODEL	1st ISOLATE	IN - DN FLG	RATING	OUT	DRAIN	MATERIAL	PACKING	CODE	WEIGHT	A	C	D	K	H	F	G	E							
M81RF	TEE BAR	1" (DN 25)	150	1/2" NPT-F	1/4" NPT-F	AISI 316L	GRAPHOIL	M81RF-16018N4SG	2,4 Kg	166	40	107,9	79,4	15,9	1,6	50,8	-							
			300					3 Kg	183	123,8		88,9	19											
			600					3,1 Kg		149,2		101,6	25,4											
M81RJ			900					1500	1500	1/2" NPT-F		1/4" NPT-F	AISI 316L	GRAPHOIL	M81RJ-16098N4SG	4,2 Kg	208	44	149,2	101,6	25,4	6,4	71,4	R16
									1500						5,5 Kg	218	158,7		107,9	82,5	R18			
									2500															

I.T.E. s.r.l. COMMITS ITSELF TO CONSTANTLY IMPROVE ITS PRODUCTS AND THEREFORE IT RESERVES THE RIGHT TO MODIFY DATA, FEATURES WITHOUT NOTICE.

MODEL:  
**M81**

MONOFLANGE MANIFOLD

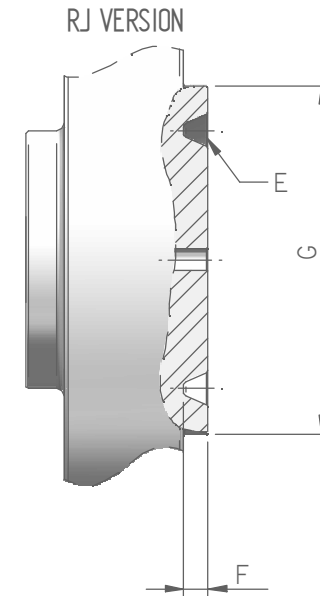
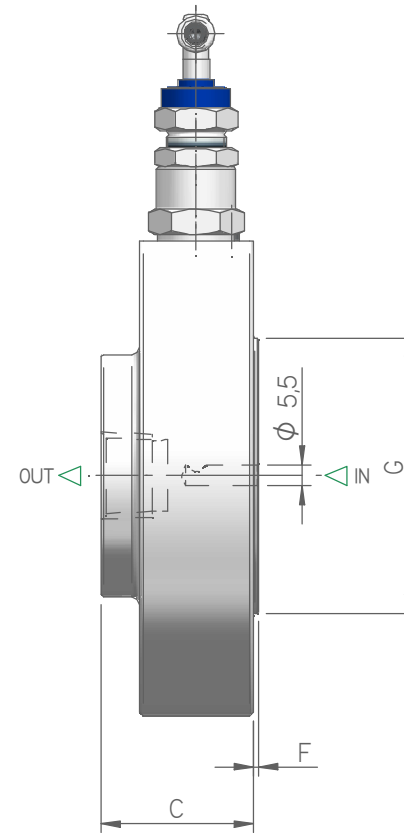
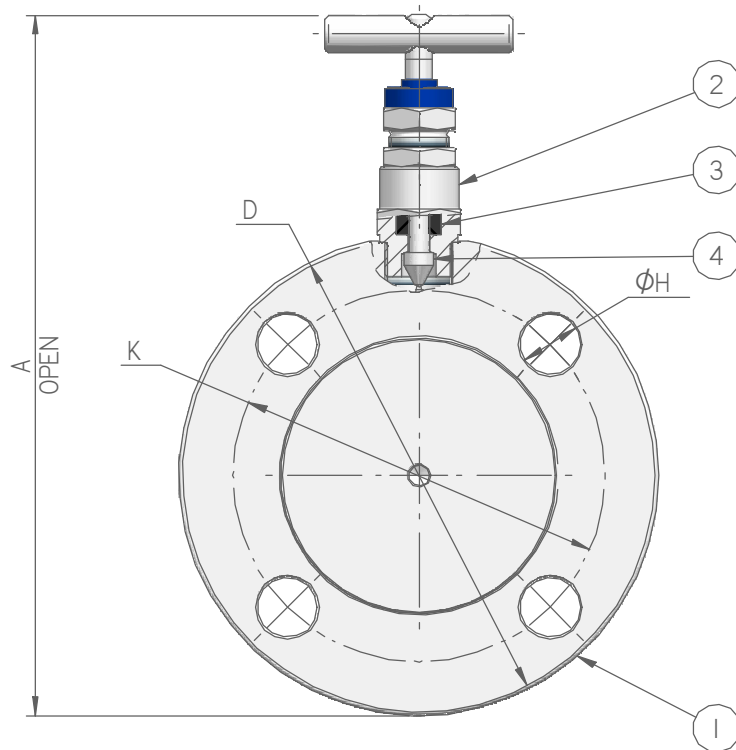


Block monoflange valve manifold with flanged inlet and threaded outlet connection.



WETTED PARTS

POS.	DESCRIPTION	MATERIAL
1	M81RF - BODY 1-1/2 RF 150 x 1/2N x 1/4N	AISI 316L
2	BODY BONNET M18x1	AISI 316L
3	GLAND PACKING	GRAPHOIL
4	NEEDLE	AISI 316L



STANDARD MODEL SELECTION

MODEL	1st ISOLATE	IN - DN FLG	RATING	OUT	DRAIN	MATERIAL	PACKING	CODE	WEIGHT	A	C	D	K	H	F	G	E		
M81RF	TEE BAR	1"-1/2 (DN 40)	150	1/2" NPT-F	1/4" NPT-F	AISI 316L	GRAPHOIL	M81RF-24018N4SG	3,3 Kg	186	40	127	98,4	15,9	1,6	73	-		
			300					4,7 Kg	215	155,6		114,3	22,4						
			600					4,8 Kg											
M81RJ			1500					2500	900	M81RJ-24098N4SG	6,4 Kg	238	41,7	177,8	123,8	28,6	6,4	92,1	R20
									1500	M81RJ-24158N4SG	11,2 Kg	263	49,4	203,2	146	31,7	7,9	114,3	R23
									2500	M81RJ-24258N4SG									

I.T.E. s.r.l. COMMITS ITSELF TO CONSTANTLY IMPROVE ITS PRODUCTS AND THEREFORE IT RESERVES THE RIGHT TO MODIFY DATA, FEATURES WITHOUT NOTICE.

# MODEL: M81

MONOFLANGE MANIFOLD



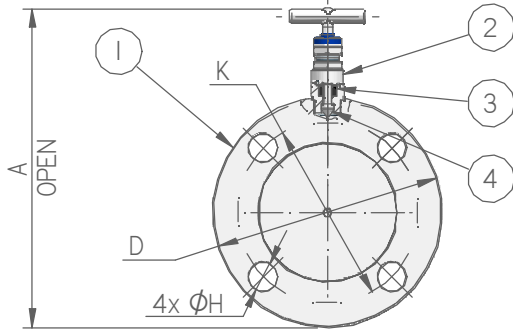
Block monoflange valve manifold with flanged inlet and threaded outlet connection.



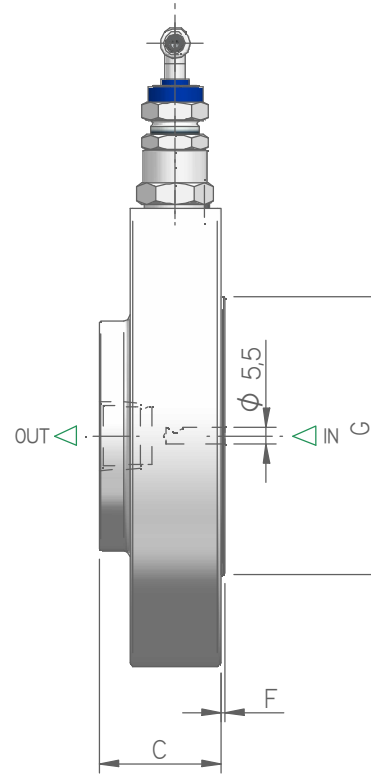
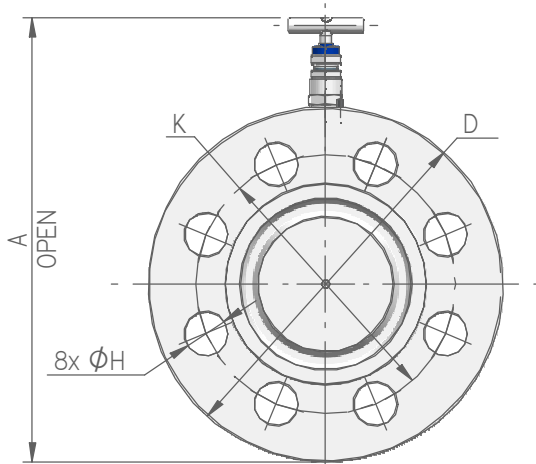
## WETTED PARTS

POS.	DESCRIPTION	MATERIAL
1	M81RF - BODY 2 RF 150 x 1/2N x 1/4N	AISI 316L
2	BODY BONNET M18x1	AISI 316L
3	GLAND PACKING	GRAPHOIL
4	NEEDLE	AISI 316L

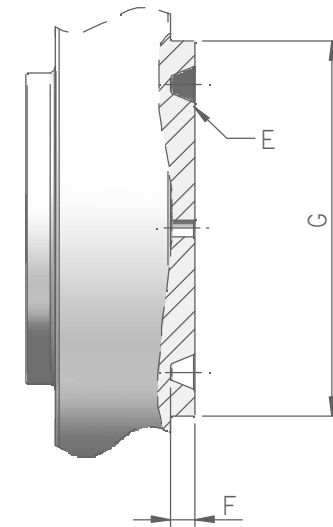
ANSI 150 DESIGN



ANSI 300÷2500 DESIGN



RJ VERSION



## STANDARD MODEL SELECTION

MODEL	1st ISOLATE	IN - DN FLG	RATING	OUT	DRAIN	MATERIAL	PACKING	CODE	WEIGHT	A	C	D	K	H	F	G	E
M81RF	TEE BAR	2" (DN 50)	150	1/2" NPT-F	1/4" NPT-F	AISI 316L	GRAPHOIL	M81RF-32018N4SG	4,7 Kg	212	40	152,4	120,6	19	1,6	92	
			300					5,3 Kg	200	165,1		127					
			600														
M81RJ	TEE BAR	2" (DN 50)	900	1/2" NPT-F	1/4" NPT-F	AISI 316L	GRAPHOIL	M81RJ-32098N4SG	11,4 Kg	244	48,1	215,9	165,1	25,4	7,9	123,8	R24
			1500														
			2500					16,7 Kg	261	55,8	234,9	171,4	28,6	133,3	R26		

I.T.E. s.r.l. COMMITS ITSELF TO CONSTANTLY IMPROVE ITS PRODUCTS AND THEREFORE IT RESERVES THE RIGHT TO MODIFY DATA, FEATURES WITHOUT

PandID®B.V. | t: +31 174 280 371 | e: [info@pandid.nl](mailto:info@pandid.nl) | : [www.pandid.nl](http://www.pandid.nl) | [www.lineblind.eu](http://www.lineblind.eu)

# MONOFLANGE

1 2 3 4 5 6 7 8 9 10 11 12 13 14 15 16 17 18

M 8 1 R F - 1 6 0 6 8 N 4 S 8

## MODEL

M81RF Needle single block RF  
M81RJ Needle single block RJ

## PRIMARY ISOLATE

Y Bonnet STD  
O.S.&Y.

## DN FLANGE

8 1/2" (DN 15)  
12 3/4" (DN 20)  
16 1" (DN 25)  
24 1-1/2" (DN 40)  
32 2" (DN 50)

## RATING

01 Ansi 150  
03 Ansi 300  
06 Ansi 600  
09 Ansi 900  
15 Ansi 1500  
25 Ansi 2500

## OUT

8 1/2"  
12 3/4"  
X FLANGED IN

## THREAD

N NPT  
F FLANGED IN

## DRAIN

4 1/4" NPT

## MATERIAL

S Aisi 316L  
A A105  
D F51  
E F55  
F Monel 400  
G C276 Hastelloy  
H 6 Mo/F44  
I Inconel 625  
M Aisi Ti  
V F22

## PACKING

T Teflon  
G Graphoil

## OPTIONS

/  
B All component 316L  
C Special Testing  
D Custom marking  
E T-Bar 316L  
L Lox cleaning  
TI Isolate Anti-tamper  
TD Vent Anti-tamper  
K Padlock for all anti tamper bonnet  
TT All bonnet Anti-tamper  
CR Criogenic Version  
T Mounted plug drain  
KT Padlock for all T-bar bonnet

# MONOFLANGE API

1 2 3 4 5 6 7 8 9 10 11 12 13 14 15 16 17 18

M 8 1 R J - 5 0 0 6 8 N 4 S 8

## MODEL

M81RJ Needle single block RJ

## PRIMARY ISOLATE

Y Bonnet STD  
O.S.&Y.

## DN FLANGE

50 2 1/16"  
54 2 9/16"  
58 3 1/8" (6B only)  
62 3 1/16" (6BX only)  
66 4 1/16"

## RATING

01 6B 13.8 MPA (2000 PSI)  
03 6B 20.7 MPA (3000 PSI)  
06 6B 34.5 MPA (5000 PSI)  
09 6BX 69.0 MPA (10000 PSI)

## OUT

8 1/2"  
12 3/4"

## THREAD

N NPT

## DRAIN

4 1/4" NPT  
8 1/2" NPT

## MATERIAL

S Aisi 316L  
A A105  
D F51  
E F55  
F Monel 400  
G C276 Hastelloy  
H 6 Mo/F44  
I Inconel 625  
M Aisi Ti  
V F22

## PACKING

T Teflon  
G Graphoil

## OPTIONS

/  
B All component 316L  
C Special Testing  
D Custom marking  
E T-Bar 316L  
L Lox cleaning  
TI Isolate Anti-tamper  
TD Vent Anti-tamper  
K Padlock for all anti tamper bonnet  
TT All bonnet Anti-tamper  
CR Criogenic Version  
T Mounted plug drain  
KT Padlock for all T-bar bonnet