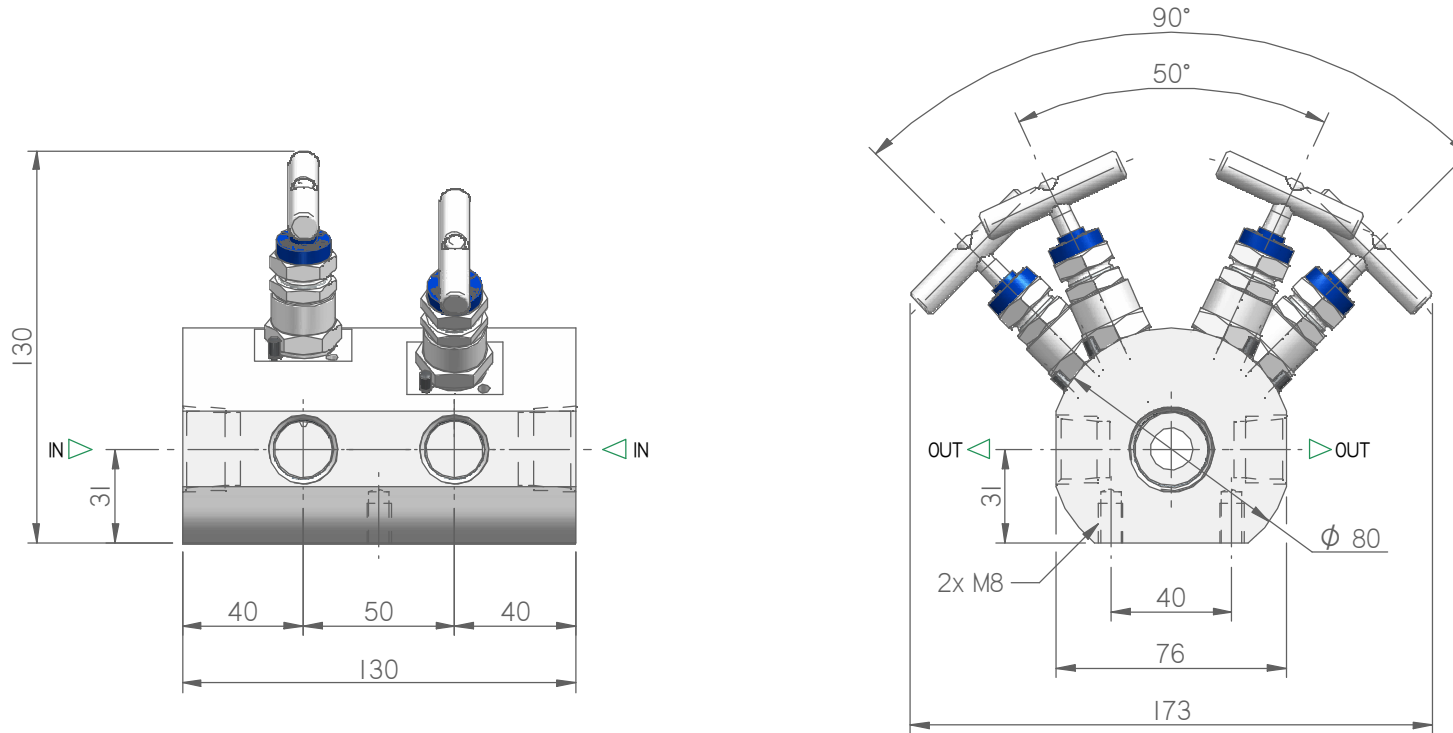
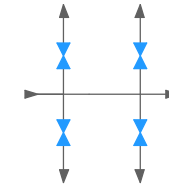


MODEL:
M94

DISTRIBUTION MANIFOLD



Bar stock distribution manifold.
"V" line alternate bonnet.



MODEL SELECTION

MODEL	MATERIAL	PACKING	IN	OUT	CODE	WEIGHT	NOTE
M94	AISI 316L	PTFE	3/4" NPT-F x2	1/2" NPT-F x4	M94-06STA12N8N	4,9 Kg	Packing material PTFE as standard max temperature 180 °C. The dimensions shown apply only to the illustrated valve – if you need the dimensions for your individual type or should you still not find your options at all please contact the factory.
	ASTM A105				M94-06ATA12N8N		
	F51				M94-06DTA12N8N		
	F55				M94-06ETA12N8N		
	ALLOY 400				M94-06FTA12N8N		
	C276				M94-06GTA12N8N		
	6MO				M94-06HTA12N8N		
I625	M94-06ITA12N8N						

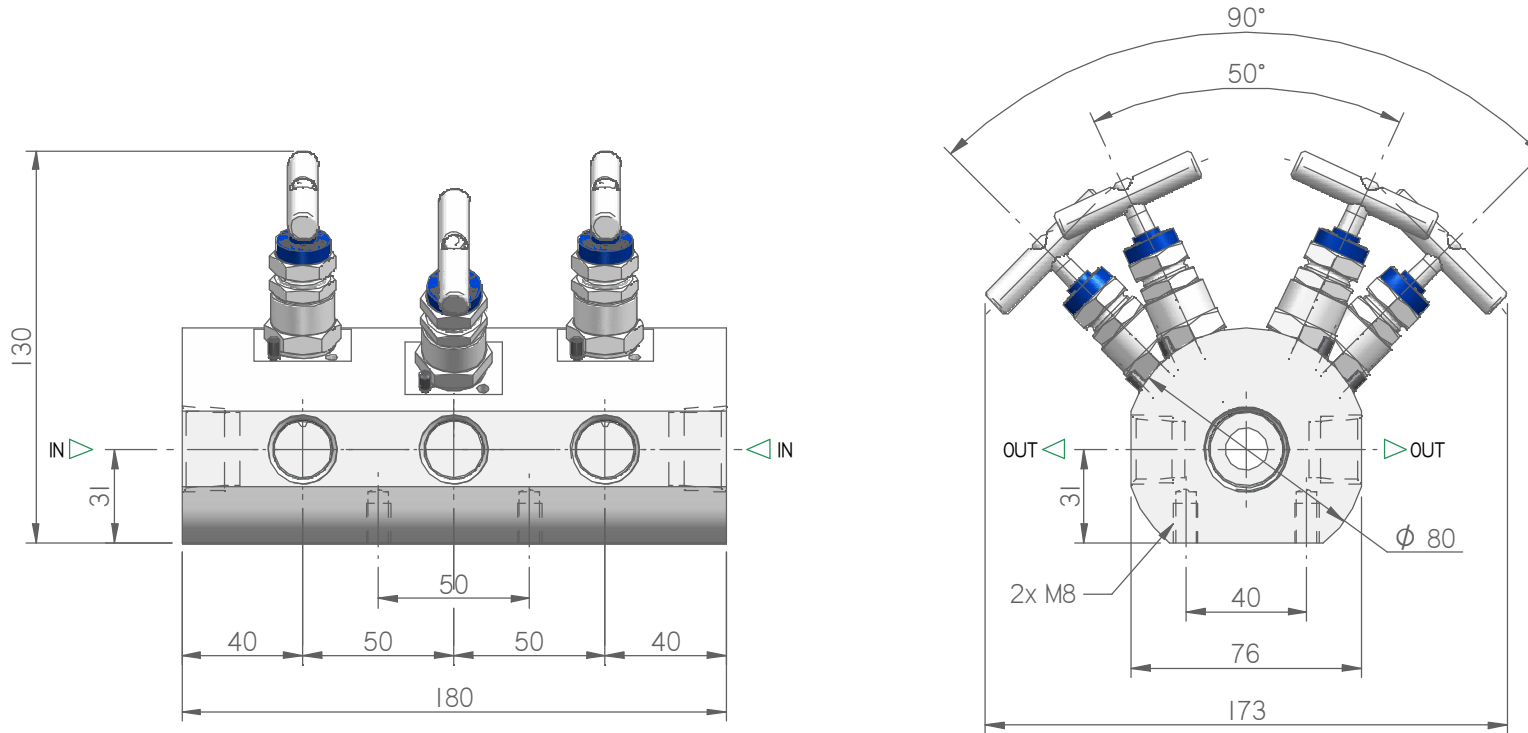
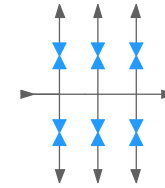
I.T.E. s.r.l. COMMITS ITSELF TO CONSTANTLY IMPROVE ITS PRODUCTS AND THEREFORE IT RESERVES THE RIGHT TO MODIFY DATA, FEATURES WITHOUT NOTICE.

MODEL:
M94

DISTRIBUTION MANIFOLD



Bar stock distribution manifold.
"V" line alternate bonnet.



MODEL SELECTION

MODEL	MATERIAL	PACKING	IN	OUT	CODE	WEIGHT	NOTE
M94	AISI 316L	PTFE	3/4" NPT-F x2	1/2" NPT-F x6	M94-06STB12N8N	6,8 Kg	Packing material PTFE as standard max temperature 180 °C. The dimensions shown apply only to the illustrated valve – if you need the dimensions for your individual type or should you still not find your options at all please contact the factory.
	ASTM A105				M94-06ATB12N8N		
	F51				M94-06DTB12N8N		
	F55				M94-06ETB12N8N		
	ALLOY 400				M94-06FTB12N8N		
	C276				M94-06GTB12N8N		
	6MO				M94-06HTB12N8N		
I625	M94-06ITB12N8N						

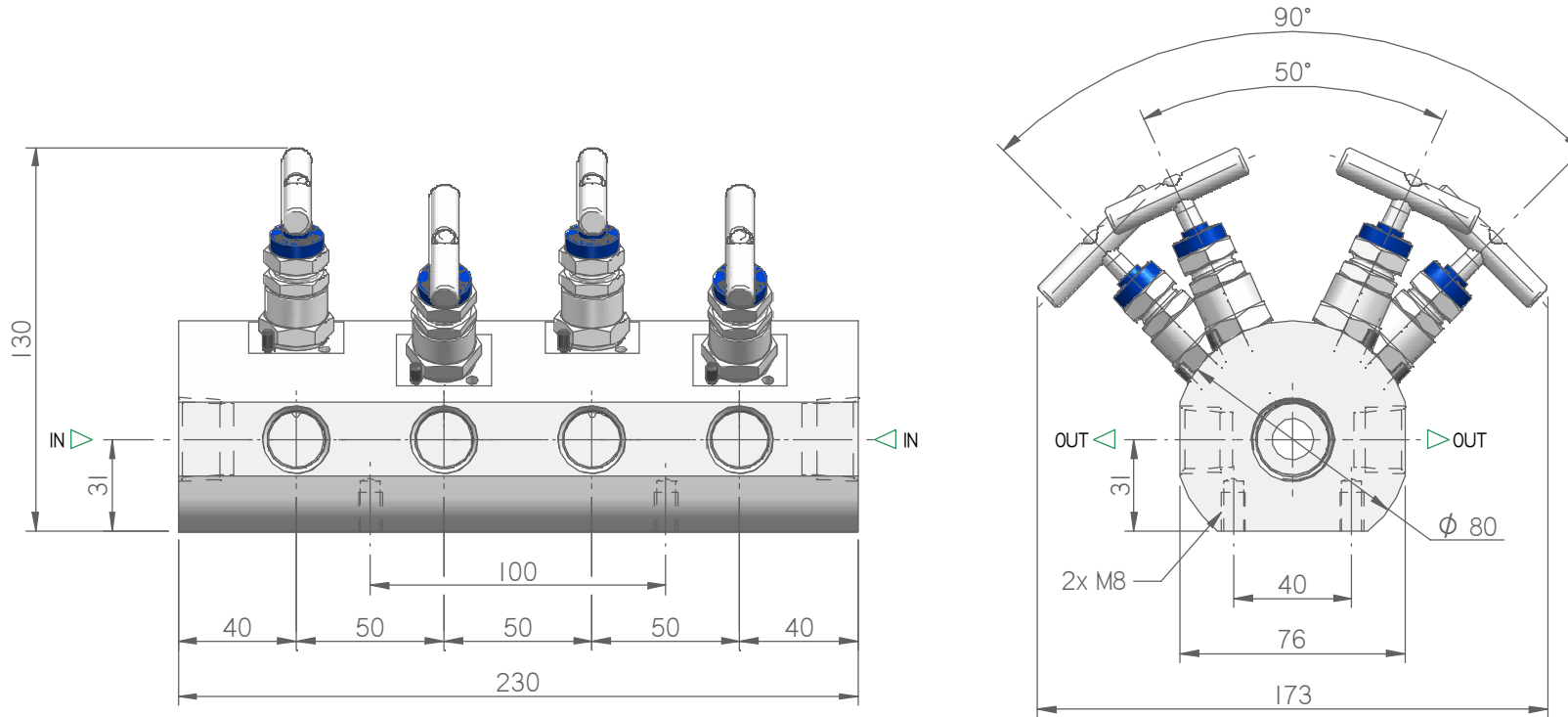
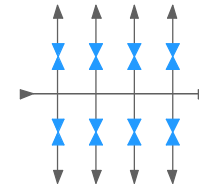
I.T.E. s.r.l. COMMITS ITSELF TO CONSTANTLY IMPROVE ITS PRODUCTS AND THEREFORE IT RESERVES THE RIGHT TO MODIFY DATA, FEATURES WITHOUT NOTICE.

MODEL:
M94

DISTRIBUTION MANIFOLD



Bar stock distribution manifold.
"V" line alternate bonnet.



MODEL SELECTION

MODEL	MATERIAL	PACKING	IN	OUT	CODE	WEIGHT	NOTE
M94	AISI 316L	PTFE	3/4" NPT-F x2	1/2" NPT-F x8	M94-06STC12N8N	8,7 Kg	Packing material PTFE as standard max temperature 180 °C. The dimensions shown apply only to the illustrated valve – if you need the dimensions for your individual type or should you still not find your options at all please contact the factory.
	ASTM A105				M94-06ATC12N8N		
	F51				M94-06DTC12N8N		
	F55				M94-06ETC12N8N		
	ALLOY 400				M94-06FTC12N8N		
	C276				M94-06GTC12N8N		
	6MO				M94-06HTC12N8N		
I625	M94-06ITC12N8N						

I.T.E. s.r.l. COMMITS ITSELF TO CONSTANTLY IMPROVE ITS PRODUCTS AND THEREFORE IT RESERVES THE RIGHT TO MODIFY DATA, FEATURES WITHOUT NOTICE.

DISTRIBUTION MANIFOLD

1 2 3 4 5 6 7 8 9 10 11 12 13 14 15

EX.:

M 9 4 - 0 6 S T B 1 2 N 8 N

MODEL

M94 BAR STOCK DISTRIBUTION MANIFOLD. "V" LINE ALTERNATE

RATING

06 Serie 6000
10 Serie 10000

MATERIAL

S Aisi 316L
A A105
D F51
E F55
F Monel 400
G C276 Hastelloy
H 6 Mo/F44
I Inconel 625

PACKING

T Teflon
G Graphoil

NR. OUT

A 4
B 6
C 8
D 10
E 12
F 14
G 20
H 18
I 20

IN

4 1/4"
6 3/8"
8 1/2"
12 3/4"

THREAD

N NPT
I BSPP GAS (ISO 1179)
K BSPT R/RC (ISO 7)
S Socket Weld

OUT (Same as "IN" standard)

4 1/4"
6 3/8"
8 1/2"
12 3/4"

THREAD (Same as "IN" standard)

N NPT
R BSPP GAS (EN 837-1) - Gauge connection
I BSPP GAS (ISO 1179)
K BSPT R/RC (ISO 7)
S Socket Weld

OPTIONS

/
B All component 316L
C Special Testing
D Custom marking
E T-Bar 316L
L Lox cleaning
TI Isolate Anti-tamper
K Padlock for all anti tamper bonnet
T Mounted plug drain
KT Padlock for all T-bar bonnet