

## FEATURES

- Adjustable ranges
- Bellow & Piston operated
- Over-pressure up to 600 bar

## APPLICATION

- Over-pressure protection for gauges, switches & transmitters

### Bellow / Piston

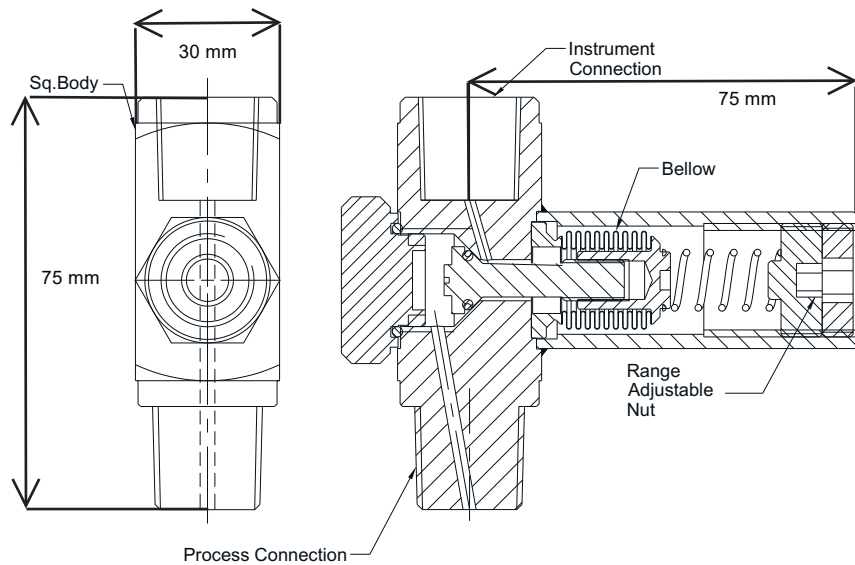


### STANDARD SPECIFICATIONS

Type	: Pattern 4 (6...16 bar)
Material	: AISI 316 SS
Instrument connection	: 1/2" NPT (F) / 1/2" BSP (F)
Process connection	: 1/2" NPT (M) / 1/2" BSP (M)
Gaskets / Seals	: Viton
Maximum working pressure	: 600 bar
Operating temperature	: 180°C

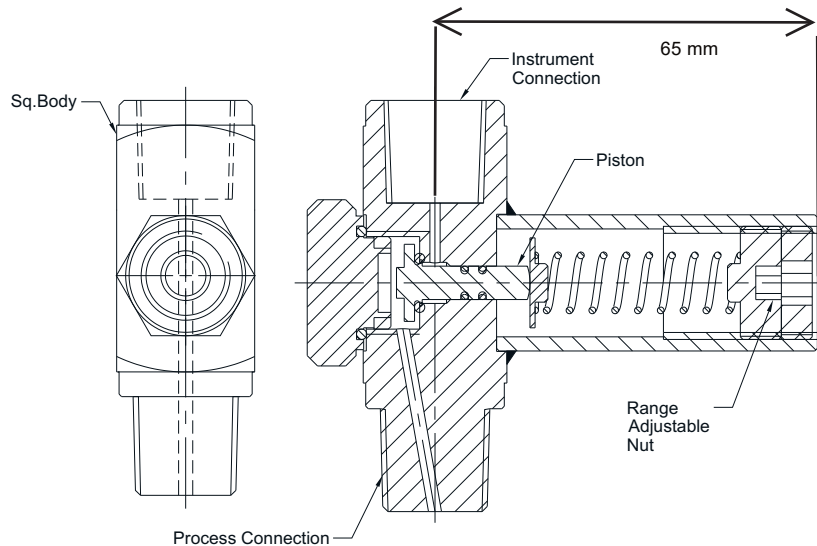
### DIMENSIONAL DRAWING

#### Pattern 1, 2, 3 (Bellow type)



### DIMENSIONAL DRAWING

Pattern 4,5,6,7,8 (Piston type)



### ORDERING CODES

#### 1. TYPE

1	Pattern 1 (200...400 mbar)
2	Pattern 2 (400...600 mbar)
3	Pattern 3 (0.6...4 bar)
4	Pattern 4 (6...16 bar)
5	Pattern 5 (10...40 bar)
6	Pattern 6 (30...80 bar)
7	Pattern 7 (50...160 bar)
8	Pattern 8 (100...400 bar)

3

#### 2. MATERIAL

MF	AISI 316 SS
MG	AISI 316L SS
MM	Monel 400 <sup>5</sup>
MO	Hastelloy C-276 <sup>5</sup>

MF

#### 3. INSTRUMENT CONNECTION

02B	1/4" BSP (F)
03B	3/8" BSP (F)
04B	1/2" BSP (F)
02N	1/4" NPT (F)
03N	3/8" NPT (F)
04N	1/2" NPT (F)
04M	M20x1.5 mm (F)

04N

#### 4. PROCESS CONNECTION

12B	1/4" BSP (M)
13B	3/8" BSP (M)
14B	1/2" BSP (M)
12N	1/4" NPT (M)
13N	3/8" NPT (M)
14N	1/2" NPT (M)
14M	M20x1.5 mm (M)

14N

#### 5. OTHER OPTIONS

TC	Material test certificate 3.1
TM	Material test certificate 2.2
TN	Tested to NACE standards
TO	Certification for Oxygen service (Max 60 bar)
XM	Marking by engraving
XL	Marking by laser

XM

### Ordering Example : A202-3-MF-04N-14N-XM

#### NOTES:

- Other process connections are available through adaptors.
- Available in piston type, contact factory for further details.
- As standard set point should be mentioned while ordering or the factory set point shall be 110% of order range.
- Set point error shall be  $\pm 10\%$  of set point value in general.
- Applicable for wetted parts only. Non-wetted parts shall be Stainless Steel.