



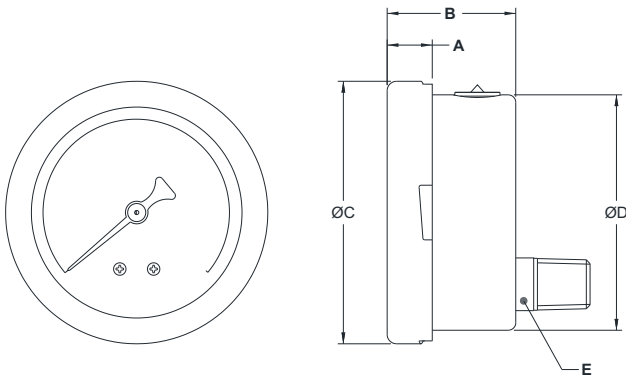






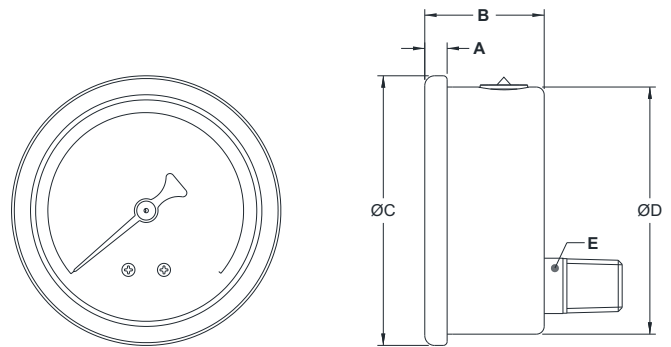
DIMENSIONAL DRAWING

Type L0 (Bayonet ring)



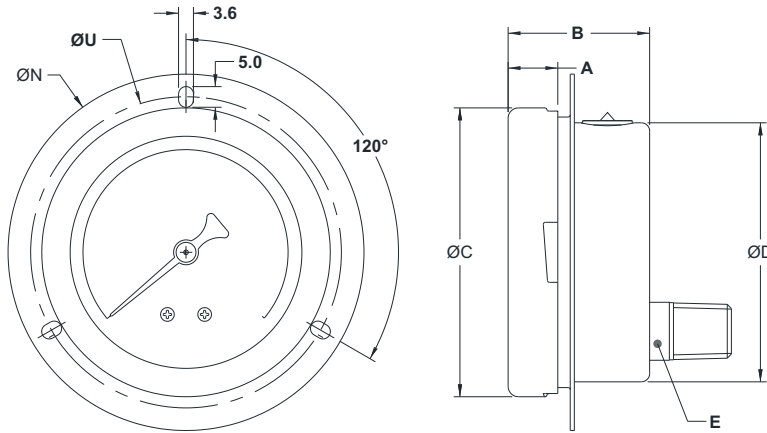
DN	A	B	ØC	ØD	E	Weight (grams)
63	12	33	69.7	62.5	SQ.14	209

Type L0 (Rolling ring)



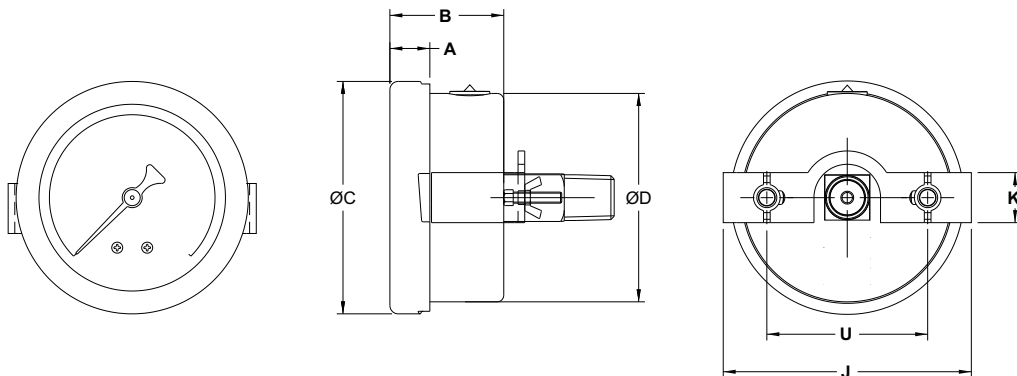
DN	A	B	ØC	ØD	E	Weight (grams)
63	5	31.5	68	62.5	SQ.14	189

Type L1 (Bayonet ring)



DN	A	B	ØC	ØD	E	ØN	ØU	Weight (grams)
63	12	33	69.7	62.5	SQ.14	86	75	240

Type L2 (Bayonet ring)



DN	A	B	ØC	ØD	E	U	J	K	Weight (grams)
50	9	34	58.5	51	SQ.14	45.5	74.5	15	163
63	12	33	69.7	62.5	SQ.14	45.5	74.5	15	254

All dimensions are in mm.

PandID® B.V. | t: +31 174 280 371 | e: [info@pandid.nl](mailto:info@pandid.nl) | i: [www.pandid.nl](http://www.pandid.nl) | [www.lineblind.eu](http://www.lineblind.eu)

NOTES

1. DN80, DN100 mounted through adaptors to the case.

### ORDERING CODES

1. DIAL SIZE		25	6. EXECUTION		EB
02	50 mm / 2"		XXX	EA	
25	63 mm / 2½"	EB		Dry but fillable	
03	80 mm / 3"	EG		Dampening liquid filled, glycerine	
04	100 mm / 4"	EH		Dampening liquid filled, silicon oil	
2. RANGE		B0	7. OTHER OPTIONS		XX
XXX	Refer "Range Table"		BA	Case & Ring in AISI 316 SS (B0)	
3. MOUNTING PATTERN		12N	BB	Case & Ring in AISI 316 SS (B1)	
B0	Direct, Bottom connection		BG	Case & Ring in AISI 316 SS (R0)	
B1	Wall/Surface/Projection mounting, Bottom connection	BI	Case & Ring in AISI 316 SS (R2)		
R0	Centre, Back connection	BJ	Case & Ring in AISI 316 SS (R3)		
R2	Panel/Front flange mounting, Centre Back connection	BK	Case & Ring in AISI 316 SS (L0)		
R3	Panel/bracket mounting, Centre Back connection	BL	Case & Ring in AISI 316 SS (L1)		
L0	Lower, Back connection	BM	Case & Ring in AISI 316 SS (L2)		
L1	Panel/Front flange mounting, Lower Back connection	EN	Dampening screw, AISI 316 SS		
L2	Panel/bracket mounting, Lower Back connection	GC	Shatterproof safety glass		
4. PROCESS CONNECTION		ER	GD	Toughened glass	
11N	1/8" NPT (M)		GW	Maximum Reading pointer (MRP)	
12N	¼" NPT (M)	G9	Freon scale		
14N	½" NPT (M)	N9	Dial with Ammonia temperature scale		
11B	1/8" BSP (M)	RA	Rubber parts, Viton		
12B	¼" BSP (M)	RW	Vent plug, ON-OFF type		
13B	3/8" BSP (M)	TA	5 - point calibration certificate		
14B	½" BSP (M)	TL	Helium leak testing		
14M	M20x1.5 mm (M)	TM	Material test certificate 2.2		
5. INGRESS PROTECTION		TO	Certification for Oxygen service		
ER	IP 65	TP	Performance test		
ES	IP 66	XF	SS tag plate, AISI 304 SS		
ET	IP 67	XG	SS tag plate, AISI 316 SS		
		XO	Rolling type case & ring		
		XR	Custom designed dial		
		XT	Dial tag marking		
		E7	Two-piece construction		

**Ordering Example : P103-25-XXX-B0-12N-ER-EB**

#### NOTES

- For other connections, please contact factory.
- Available with Ingress Protection IP 54 (Dust Proof) only