

FEATURES

- Safety pattern type
- All stainless steel system
- Dry / liquid filled
- CE marking

APPLICATION

- Oil & Gas applications
- High pressure applications
- Corrosive & Hazardous environments

Solid Front With Full Blow-out Back



STANDARD PARAMETERS

Accuracy	: CL 1.0
Ambient temperature	: -40...+65°C (without dampening liquid)
	: -20...+65°C (with dampening liquid)
Service temperature	: 300°C max.
Pressure limits	: Steady pressure up to FS value
	: Fluctuating pressure up to 90% of FS value
	: Short time 1.3 x FS value for range up to 100 bar
	: Short time 1.15 x FS value for range above 100 bar
Weld joints	: TIG argon arc welding

MATERIAL OF CONSTRUCTION

Sensing element	: Bourdon Tube (<100 bar : C - type , >100 bar : Helical)
Case & Ring material	: AISI 304 SS (Bayonet type)
Bourdon tube & Shank	: AISI 316L SS (Shank welded directly to case)
Movement mechanism	: AISI 304 SS
Dial	: Aluminum, black graduation on white background
Pointer	: Micro-zero adjustable, aluminum, black powder coated
Gaskets & filling plug	: Neoprene / NBR
Window	: Shatterproof safety glass
Blow off disc	: AISI 304 SS
Diaphragm	: NBR

STANDARD SPECIFICATIONS

Dial size	: DN100 / DN150
Range	: -1...0...1,600 bar
Mounting pattern	: Direct, Bottom connection
Process connection	: 1/2" NPT (M) / 1/2" BSP (M)
Ingress protection	: IP 65
Execution	: Dry but fillable

STANDARD SPECIFICATIONS : DAMPENING LIQUID FILLED, GLYCERIN

Window	: Shatterproof safety glass
Dampening liquid	: Glycerin 99.7% [Service temperature up to 65°C]

TEMPERATURE EFFECT

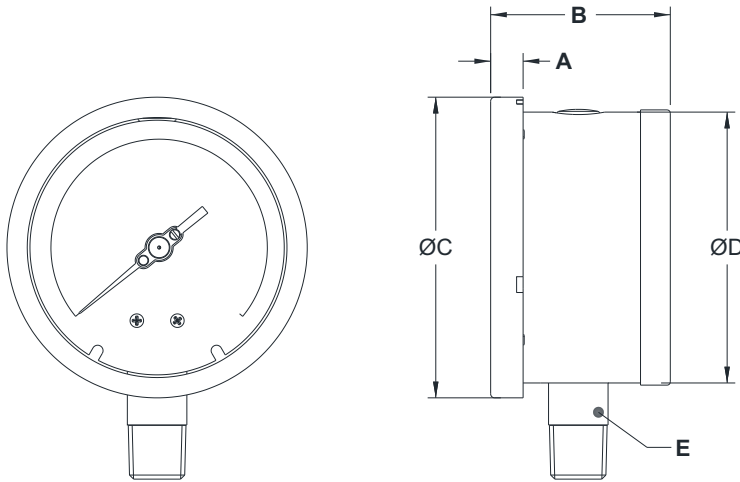
When temperature of the measuring system deviates from reference temperature (+20°C) max error $\pm 0.4\%$ / 10K of true scale value.

REFERENCE

EN 837-1, PED 97/23/EC

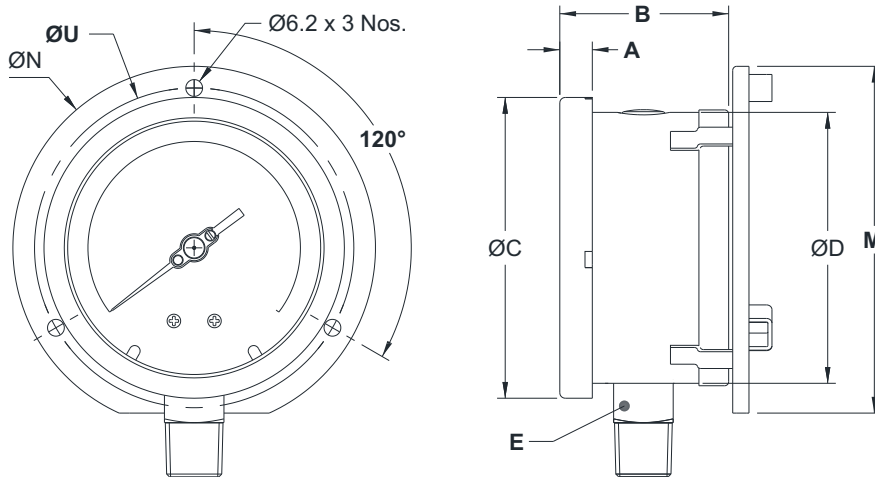
DIMENSIONAL DRAWING

Type B0



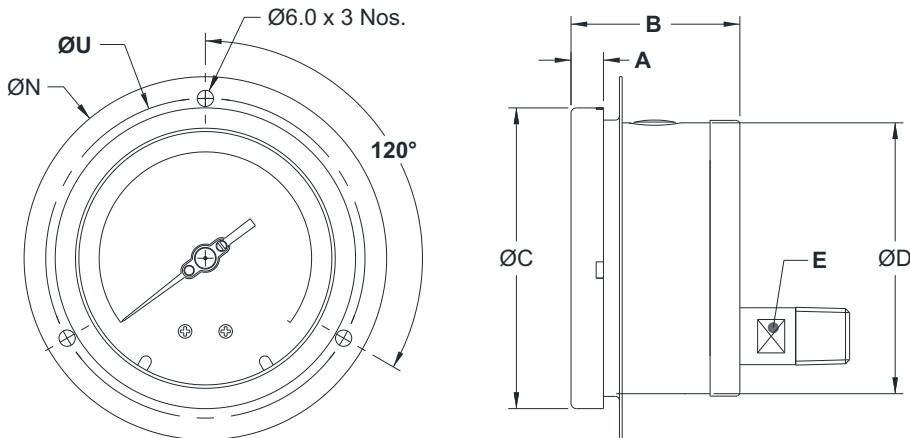
DN	A	B	ØC	ØD	E	Weight (grams)
100	12	66.5	111	100	SQ.22	830
150	17	68.5	161	149	SQ.22	1638

Type B1



DN	A	B	ØC	ØD	E	M	ØN	ØU	Weight (grams)
100	12	66.5	111	100	SQ.22	128	134	118	909
150	17	68.5	161	149	SQ.22	172	186	168	1746

Type L1



DN	A	B	ØC	ØD	E	ØN	ØU	Weight (grams)
100	12	66.5	111	100	A/F-17	134	118	906
150	17	68.5	161	149	A/F-17	186	168	1754

All dimensions are in mm.

ORDERING CODES

1. DIAL SIZE	04	7. OTHER OPTIONS	XX
04 100 mm / 4" 06 150 mm / 6"		BA Case & Ring in AISI 316 SS (B0) BB Case & Ring in AISI 316 SS (B1) BL Case & Ring in AISI 316 SS (L1) BC Case & Ring in AISI 316 SS (B2) EM Dampening screw, Monel EN Dampening screw, AISI 316 SS EX Internal overload stop EY Internal vacuum stop EZ Pointer stop on dial GL AISI 316 SS movement GM Dampened movement GW Maximum Reading pointer ² GX Knife edge pointer MN Monel wetted parts OP Overrange protection 1.5xFS OS High overpressure protection ⁶ P8 Epoxy coating (Case & Ring) R9 Receiver gauge ³ RN Rubber parts, NBR RW Vent plug, ON-OFF type TA 5 - point calibration certificate TC Material test certificate 3.1 TE CE certificate TI IBR certification TL Helium leak testing TM Material test certificate 2.2 TN Tested to NACE standards TO Certification for Oxygen service TP Performance test TT C.C. with NABL traceability XA Accuracy CL 0.5 / CL 0.6 of FS XF SS tag plate, AISI 304 SS XG SS tag plate, AISI 316 SS XR Custom designed dial XT Dial tag marking	
2. RANGE	XXX		
XXX Refer "Range Table"			
3. MOUNTING PATTERN	B0		
B0 Direct, Bottom connection B1 Wall/Surface/Projection mounting, Bottom connection B2 2" Pipe/Yoke mounting, Bottom connection L1 Panel/Front flange mounting, Lower Back connection ⁴			
4. PROCESS CONNECTION	14N		
12B 1/4" BSP (M) 12N 1/4" NPT (M) 13B 3/8" BSP (M) 14B 1/2" BSP (M) 14M M20 X 1.5 mm (M) 14N 1/2" NPT (M)			
5. INGRESS PROTECTION	ER		
ER IP 65 ES IP 66 ET IP 67			
6. EXECUTION	EB		
EA Dry EB Dry but fillable EG Dampening liquid filled, glycerine EH Dampening liquid filled, silicon oil			

Ordering Example : P201-04-XXX-B0-14N-ER-EB

RANGE V/s OVER RANGE	
RANGE "bar"	OVER RANGE "bar"
0...1	4
0...1.6	6
0...2.5	10
0...4	16
0...6	25
0...10	40
0...16	48
0...25	75
0...40	80
0...60	120
0...100	200
0...160	320
0...250	500
0...400	800
0...600	1200

NOTES

- For other connections, please contact factory.
- Available in dry version only with accuracy CL 1.0 or above.
- Please specify the second scale required.
- Available in dry version only.
- C.C. = Calibration Certificate
- Refer Range V/s Overpressure table.