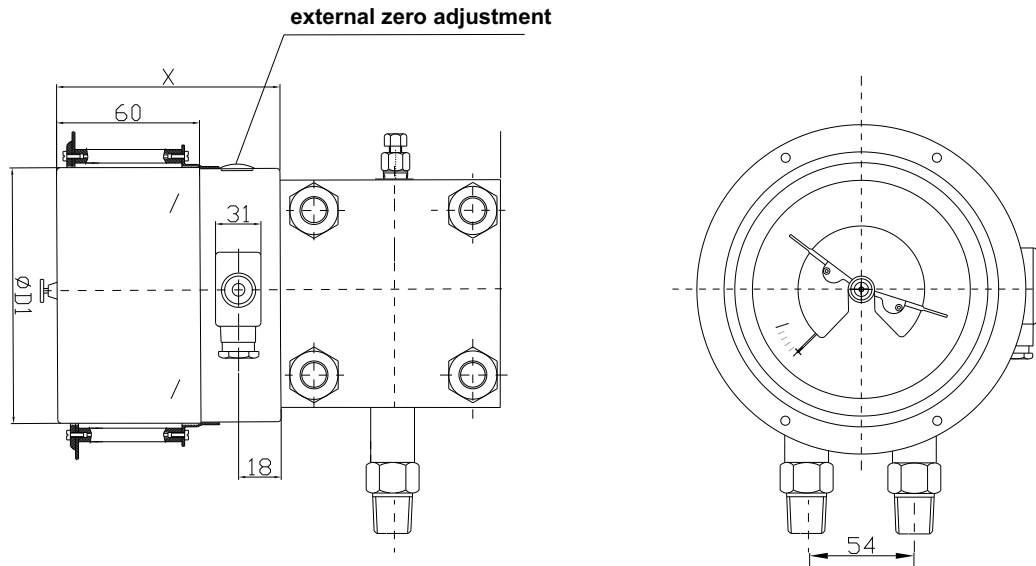


DIMENSIONAL DRAWING

Type B3



All dimensions are in mm.

STANDARD SPECIFICATIONS : ELECTRIC CONTACT VERSION

Accuracy	:	CL 2.5
Window	:	Shatterproof Safety Glass, 4mm thickness
Switch	:	1NO; Make contact
Dampening liquid	:	Dielectric oil (Optional)

ELECTRIC CONTACT DETAILS

Switch type	Contacts	Action	Rating	Code
Normally closed (1NC)	Single	Break contact	230VAC/1A; 48VDC/0.5A	CD1
Normally open (1NO)	Single	Make contact	230VAC/1A; 48VDC/0.5A	CD2
Normally closed (2NC)	Double	Break contact	230VAC/1A; 48VDC/0.5A	CD3
Normally open (2NO)	Double	Make contact	230VAC/1A; 48VDC/0.5A	CD4
Normally closed + Normally open (1NC+1NO)	Double	Break contact + Make contact	230VAC/1A; 48VDC/0.5A	CD5
Normally open + Normally closed (1NO+1NC)	Double	Make contact + Brake contact	230VAC/1A; 48VDC/0.5A	CD6
SPDT	Single		230VAC/1A; 48VDC/0.5A	CD7
DPDT	Double		230VAC/1A; 48VDC/0.5A	CD8
Normally closed (1NC)	Single	Break contact	220VAC/0.4A	CI1
Normally open (1NO)	Single	Make contact	220VAC/0.4A	CI2
Normally closed (2NC)	Double	Break contact	220VAC/0.4A	CI3
Normally open (2NO)	Double	Make contact	220VAC/0.4A	CI4
Normally closed + Normally open (1NC+1NO)	Double	Break contact + Make contact	220VAC/0.4A	CI5
Normally open + Normally closed (1NO+1NC)	Double	Make contact + Brake contact	220VAC/0.4A	CI6

NOTES

- Codes starts with "CD" denomination are magnetic contacts and "CI" are Inductive contacts.
- Inductive contacts are ATEX approved.

ORDERING CODES

1. DIAL SIZE

04	100 mm / 4"
06	160 mm / 6"

04

2. RANGE

XXX	Refer "Range Table"
------------	---------------------

XXX

3. MOUNTING PATTERN

B0	Direct, Bottom connection
B1	Wall/Surface/Projection mounting, Bottom connection
B2	2" Pipe/Yoke mounting, Bottom connection
B3	Panel/Front flange mounting, Bottom Connection

B0

4. PROCESS CONNECTION

02N	1/4" NPT (F) x 2 Nos.
13B	3/8" BSP (M) x 2 Nos.
14B	1/2" BSP (M) x 2 Nos.
14M	M20 X 1.5 mm (M) x 2 Nos.
14N	1/2" NPT (M) x 2 Nos.

02N

* Male threads through adaptors

5. INGRESS PROTECTION

ER	IP 65
-----------	-------

ER

6. EXECUTION

EA	Dry
EB	Dry but fillable
EF	Dry but fillable, dielectric oil ²
EK	Dampening liquid, dielectric oil ²

EA

7. STATIC PRESSURE

040	40 bar
100	100 bar
250	250 bar
400	400 bar

040

8. SWITCH CATEGORY

RS	Precision contacts (magnetic)
RT	ATEX / CE approved contacts (inductive)

XX

9. ELECTRIC CONTACT

CD1	Break contact (1NC)
CD2	Make contact (1NO)
CD3	2 x Break contact (2NC)
CD4	2 x Make contact (2NO)
CD5	1 Break + 1 Make (1NC+1NO)
CD6	1 Make + 1 Break (1NO+1NC)
CD7	SPDT
CD8	DPDT
CI1	Break contact (1NC)
CI2	Make contact (1NO)
CI3	2 x Break contact (2NC)
CI4	2 x Make contact (2NO)
CI5	1 Break + 1 Make (1NC+1NO)
CI6	1 Make + 1 Break (1NO+1NC)
CI9	Booster relay for current up to 5A

XX

10. OTHER OPTIONS

DM	Monel diaphragm
DO	Hastelloy C-276 diaphragm
GW	Maximum reading pointer
GZ	External zero adjustment (Standard for filled versions)
NM	Monel chambers
NO	Hastelloy C-276 chambers
OF	Food grade oil filled chamber
TA	5 - point calibration certificate
TC	Material test certificate 3.1
TM	Material test certificate 2.2
TN	Tested to NACE standards
TO	Certificate of Oxygen service
TX	ATEX certificate
XF	SS tag plate
XR	Custom designed dial
XT	Dial tag marking

XX

Ordering Example : P301-04-XXX-B0-02N-ER-EA-040

COMPATIBLE ACCESSORIES

- Diaphragm seal
- 5 Valve Manifolds
- 3 Valve manifolds

NOTES

- For other connections, please contact factory
- Rubber parts shall be in Viton.