

FEATURES

- Rugged construction
- Stainless steel case
- Dry / liquid filled

APPLICATION

- Hydraulic & pneumatic
- Pumps & compressors
- Diesel engines
- Water applications

Economical



STANDARD PARAMETERS

Accuracy	:	CL 1.6
Ambient temperature	:	-40...+65°C (without dampening liquid)
	:	-20...+65°C (with dampening liquid)
Service temperature	:	150°C max.
Pressure limits	:	Steady pressure up to 75% of FS value
	:	Short time 1.3 x FS value for range up to 100 bar
	:	Short time 1.15 x FS value for ranges 100 up to 600 bar
	:	Short time 1.1 x FS value for ranges above 600 bar
Joints	:	Silver alloy brazing / soldering

MATERIAL OF CONSTRUCTION

Sensing element	:	Bourdon Tube (≤ 100 bar : C - type , > 100 bar : Helical)
Case & Ring material	:	AISI 304 SS (Bayonet type)
Bourdon tube & Shank	:	Phosphor Bronze
Movement mechanism	:	Copper Alloy
Dial	:	Aluminum, black graduation on white background
Pointer	:	Fixed, aluminum, black powder coated
Gaskets & filling plug	:	Silicon gasket & Neoprene filling plug
Window	:	Plexi glass

STANDARD SPECIFICATIONS

Dial size	:	DN50 / DN63 / DN80 / DN100
Range	:	-1...400 bar (DN50), -1...1,000 bar (DN63/DN80/DN100)
Mounting pattern	:	Direct, Bottom connection
Process connection	:	1/4" NPT (M) / 1/4" BSP (M)
Ingress protection	:	IP 65
Execution	:	Dry but fillable

STANDARD SPECIFICATIONS : DAMPENING LIQUID FILLED, GLYCERIN

Window	:	Safety glass
Dampening liquid	:	Glycerin 99.7% [Service temperature up to 65°C]

TEMPERATURE EFFECT

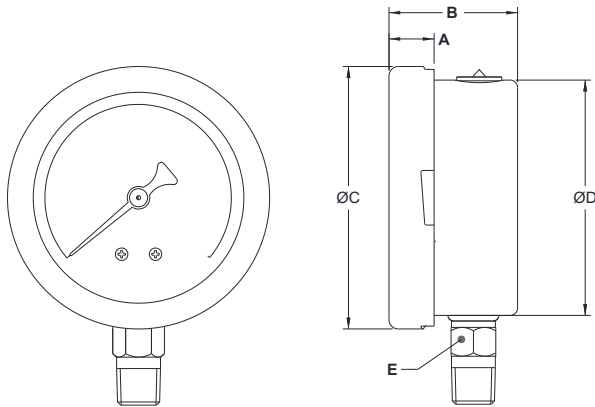
When temperature of the measuring system deviates from reference temperature (+20°C) max error $\pm 0.4\%$ / 10K of true scale value.

REFERENCE

EN 837-1

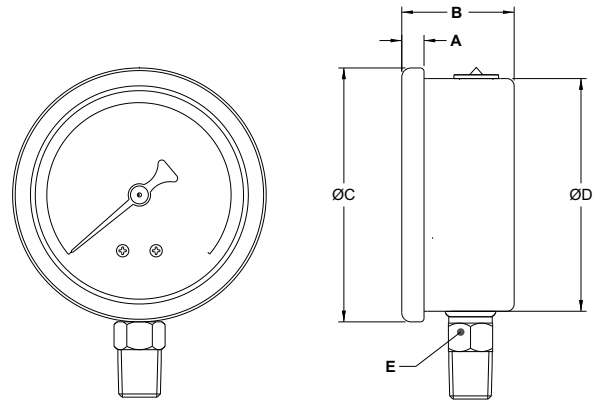
DIMENSIONAL DRAWING

Type B0, (Bayonet ring)



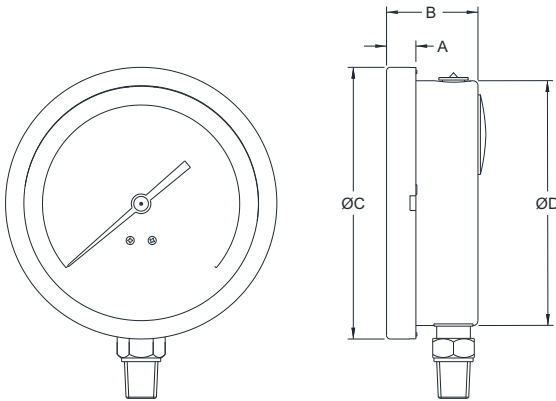
DN	A	B	ØC	ØD	E	Weight (grams)
50	9	34	58.5	51	A/F14	130
63	12	33	69.7	62.5	A/F14	250

Type B0, (Rolling ring)



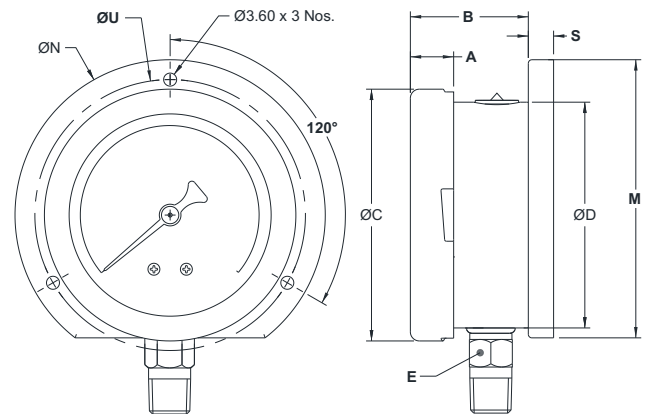
DN	A	B	ØC	ØD	E	Weight (grams)
50	5	32.5	57.5	51.5	A/F14	120
63	5	31.5	68	62.5	A/F14	240

Type B0, (Bayonet ring)



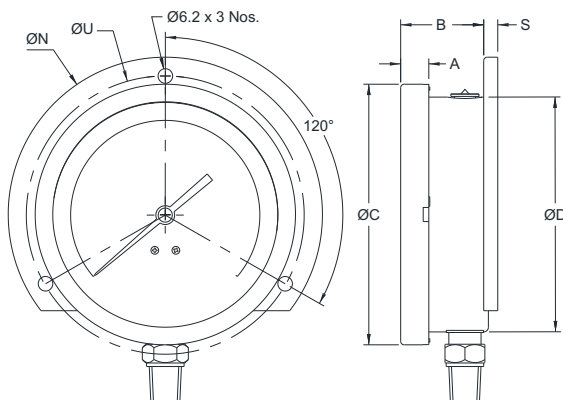
DN	A	B	ØC	ØD	E	Weight (grams)
80	9.5	33.5	89.5	80	A/F 14	328
100	12	38	111	100	A/F 14	398

Type B1, (Bayonet ring)



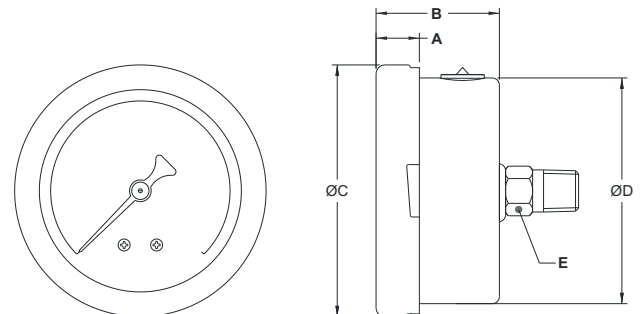
DN	A	B	ØC	ØD	E	ØN	ØU	M	S	Weight (grams)
63	12	33	69.7	62.5	A/F14	86	75	77	7	294

Type B1, (Bayonet ring)



DN	A	B	ØC	ØD	E	ØN	ØU	Weight (grams)
100	12	38	111	100	A/F 14	134	118	472

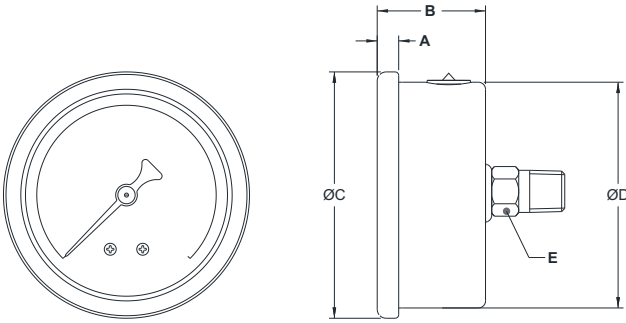
Type R0, (Bayonet ring)



DN	A	B	ØC	ØD	E	Weight (grams)
50	9	34	58.5	51	A/F14	130
63	12	33	69.7	62.5	A/F14	250

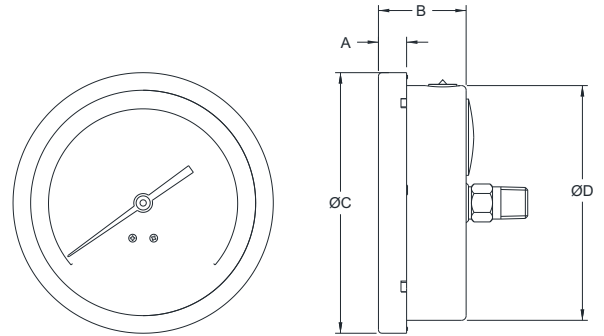
DIMENSIONAL DRAWING

Type R0, (Rolling ring)



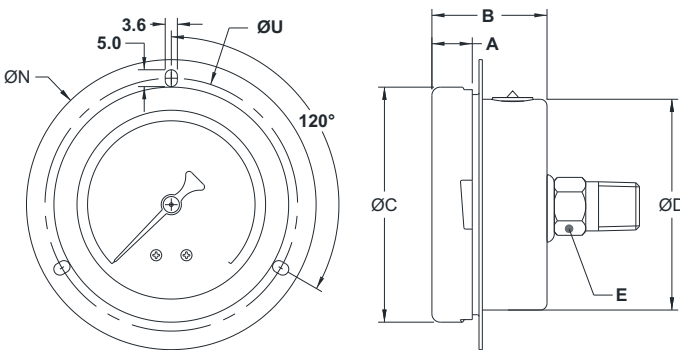
DN	A	B	ØC	ØD	E	Weight (grams)
50	5	33.5	57.5	51.5	A/F14	120
63	5	31.5	68	62.5	A/F14	240

Type R0, (Bayonet ring)



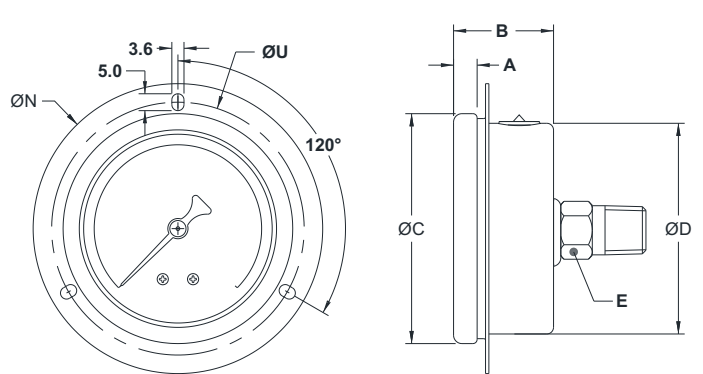
DN	A	B	ØC	ØD	E	Weight (grams)
80	9.5	33.5	89.5	80	A/F 14	328
100	12	38	111	100	A/F 14	398

Type R2, (Bayonet ring)



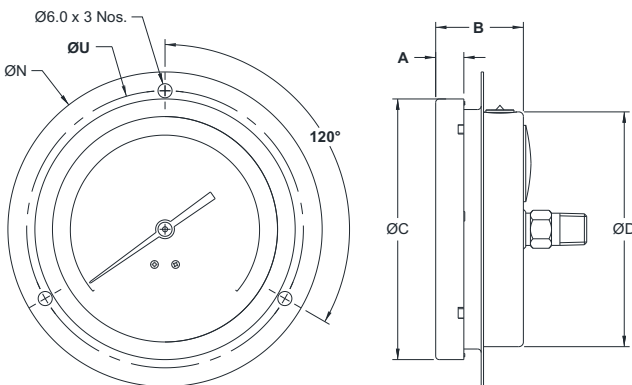
DN	A	B	ØC	ØD	E	ØN	ØU	Weight (grams)
63	12	33	69.7	62.5	A/F14	86	75	280

Type R2, (Rolling ring)



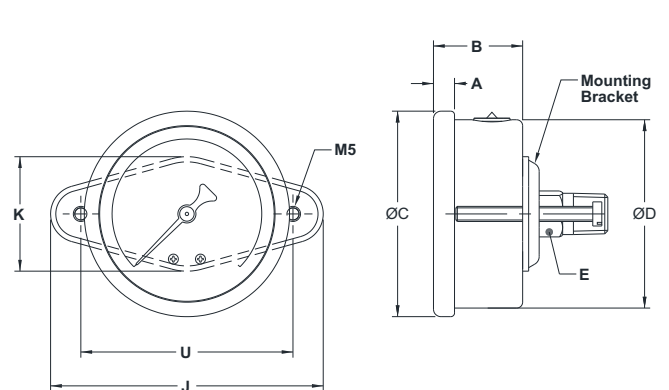
DN	A	B	ØC	ØD	E	ØN	ØU	Weight (grams)
63	5	31.5	68	62.5	A/F14	86	75	270

Type R2, (Bayonet ring)



DN	A	B	ØC	ØD	E	ØN	ØU	M	Weight (grams)
100	12	38	111	100	A/F 14	134	118	128	505

Type R3, (Bayonet ring)

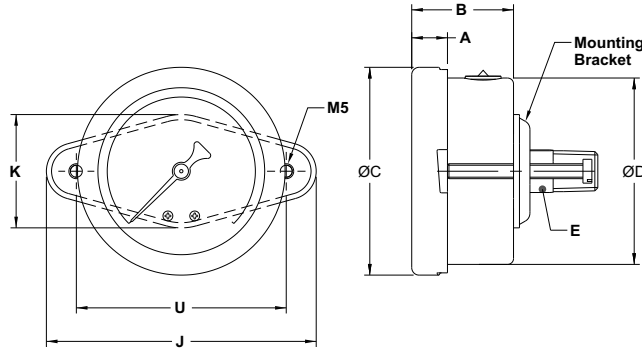


DN	A	B	ØC	ØD	E	ØU	J	K	Weight (grams)
50	5	33.5	57.5	51.5	A/F14	70.5	91	38	153
63	5	31.5	68	62.5	A/F14	70.5	91	38	274

All dimensions are in mm.

DIMENSIONAL DRAWING

Type R0, (Rolling ring)



DN	A	B	ØC	ØD	E	Weight (grams)
50	5	33.5	57.5	51.5	A/F14	120
63	5	31.5	68	62.5	A/F14	240

All dimensions are in mm.

ORDERING CODES

1. DIAL SIZE

02	50 mm / 2"
25	63 mm / 2½"
03	80 mm / 3"
04	100 mm / 4"

25

2. RANGE

XXX	Refer "Range Table"
-----	---------------------

XXX

3. MOUNTING PATTERN

B0	Direct, Bottom connection
B1	Wall/Surface/Projection mounting, Bottom connection
R0	Centre, Back connection
R2	Panel/Front flange mounting, Centre Back connection
R3	Panel/bracket mounting, Centre Back Connection

B0

4. PROCESS CONNECTION

11N	1/8" NPT (M)
12N	1/4" NPT (M)
14N	1/2" NPT (M)
11B	1/8" BSP (M)
12B	1/4" BSP (M)
13B	3/8" BSP (M)
14B	1/2" BSP (M)

12N

5. INGRESS PROTECTION

ER	IP 65
ES	IP 66
ET	IP 67

ER

6. EXECUTION

EA	Dry
EB	Dry but fillable
EG	Dampening liquid filled, glycerine

EB

7. OTHER OPTIONS

EO	Dampening screw, Cu Alloy
EZ	Pointer stop on dial
GC	Shatterproof safety glass
GM	Dampened movement
XR	Custom designed dial
XT	Dial tag marking
TA	5 - point calibration certificate
G9	With Freon temperature scales

XX

Ordering Example : P902-25-XXX-B0-12N-ER-EB

NOTES

1. For other connections, please contact factory.