

FEATURES

- Mineral insulated
- Spring Loaded Design
- Ceramic block with Ni-plated or Silver plated terminals

APPLICATION

- Spares
- Replacement of Existing assemblies in the field

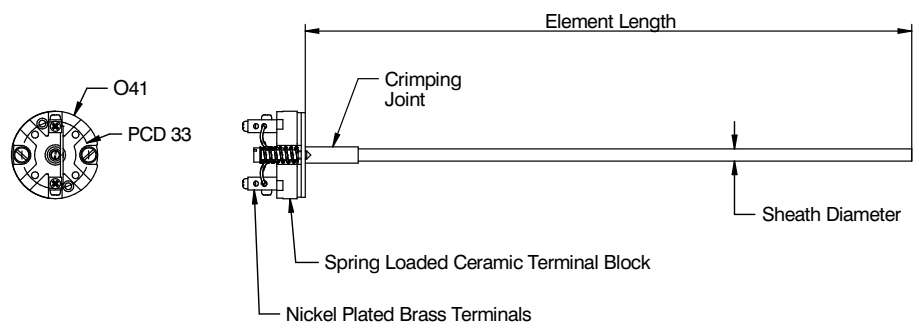
Spring Loaded Terminal Block



STANDARD SPECIFICATIONS

Element	:	Pt-100, class B
Range	:	-200...400°C
Wire combination	:	Simplex, 3 Wire
Sheath material	:	AISI 316 SS
Sheath diameter	:	6.0 mm
Cold-end termination	:	Spring Loaded Terminal Block
	:	(OD = 41 mm ,PCD = 33 mm)
Element length	:	300 mm

DIMENSIONAL DRAWING



REFERENCE

IEC-751 / DIN 43760

ORDERING CODES

1. ELEMENT		1	5. SHEATH DIAMETER		M60
0 Pt100, class A			M30 3.0 mm ²		
1 Pt100, class B			M50 5.0 mm		
2 Pt500, class A			M60 6.0 mm		
3 Pt500, class B			M80 8.0 mm		
4 Pt1000, class A					
5 Pt1000, class B					
2. RANGE		97C	6. COLD END TERMINATION		KY
97C -200...400°C			KY Terminal block, spring loaded Ø41mm/PCD33mm		
98C 0...600°C			KZ Terminal block, spring loaded Ø55mm/PCD46mm		
3. WIRE COMBINATION		C	7. ELEMENT LENGTH (IL)		XXXXX
A Simplex, 2-Wire			XXXXX 50 mm up to 10,000 mm		
C Simplex, 3-Wire					
D Simplex, 4-Wire					
F Duplex, 2-Wire					
H Duplex, 3-Wire					
I Duplex, 4-Wire					
4. SHEATH MATERIAL		MF	8. OTHER OPTIONS		XX
MF AISI 316 SS			TB Calibration Certificate		
MG AISI 316L SS			XF Tag plate, AISI 304 SS		

Ordering Example : R203-1-97C-C-MF-M60-KY

NOTES:

- Other sheath diameters, materials and connections are available, please contact factory for details.
- Not available in Double, 4-Wire combinations.