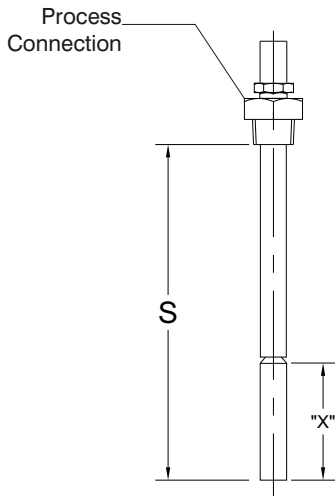


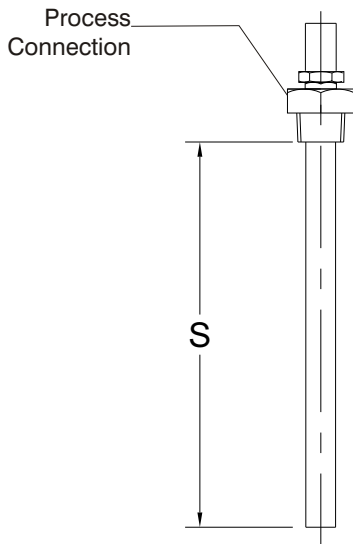
STEM LENGTH CHART FOR GAS FILLED TEMPERATURE GAUGES



Stem / Sensor Size (mm)	(x) Sensor Length (mm)	(S) Minimum Stem Length (mm)
Rigid Stem type Inert Gas Thermometer		
Capillary type Inert Gas Thermometer (≤10 Mtr.)		
6 / 1/4"	200	240
8 / 9.5	120	160
10	90	130
12 / 14	70	110
Capillary type Inert Gas Thermometer (>10 Mtr. up to 25 Mtr.)		
8 / 9.5	170	210
10	140	180
12 / 14	90	130

1. Capillary compensation is preferred for all capillary inert gas thermometers, if capillary length is above 6 meter.
2. For other reduced length, contact factory before ordering.

STEM LENGTH CHART FOR BIMETAL TEMPERATURE GAUGES



Stem Diameter Range (°C)	6 mm & 1/4"	8 mm	10 mm	12 mm
	Minimum Stem Length (mm)			
0...50	130	110	110	110
0...60	110	95	95	95
0...80	95	70	70	70
0...100	75	70	70	70
0...120	70	60	60	60
0...150	60	50	50	50
0...200	50	45	45	45
0...250	40	35	35	35
0...300	60	50	50	50
0...400	50	45	45	45
0...500	45	40	40	40
0...600	40	35	35	35

1. All length mentioned above are to be considered below thread only.
2. For other reduced length, contact factory before ordering.