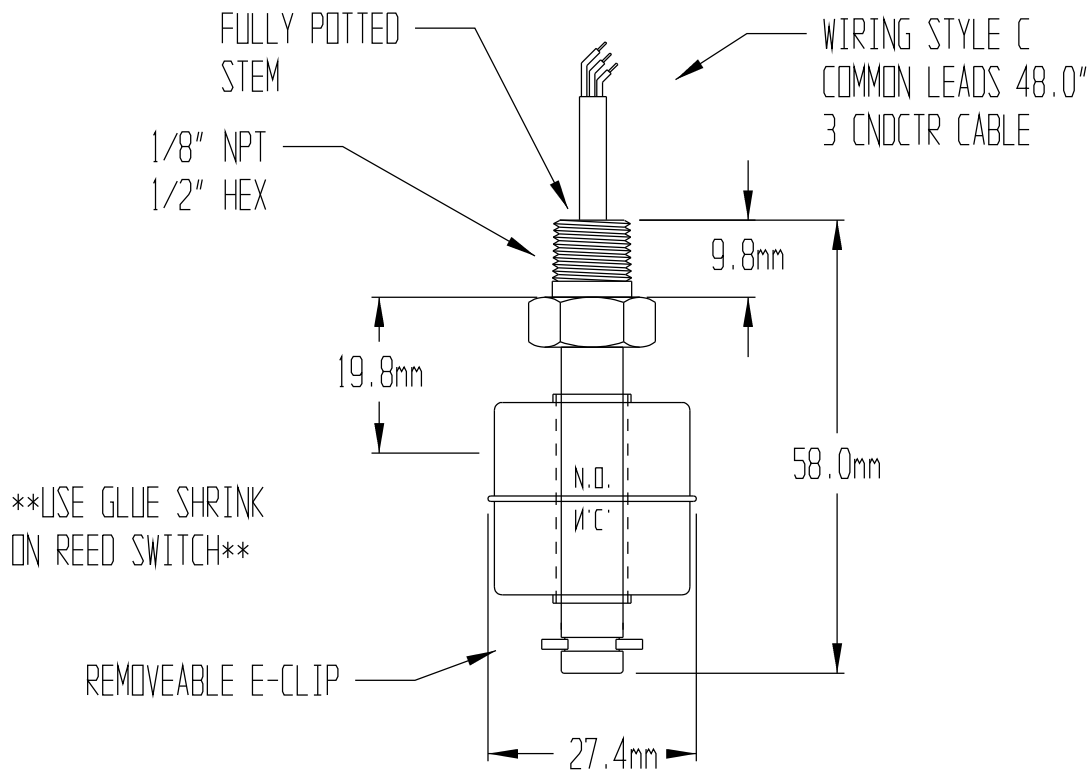


SERIES LS-11-040

USE GLUE SHRINK ON REED
 FULLY POT STEM



RETAINER: 316 STAINLESS STEEL
 STEM: 316 STAINLESS STEEL
 FLOAT: 316 STAINLESS STEEL

REED SWITCH PART#
 8 VA SPDT 92207

MIN SP.GR: 0.72

OPERATING TEMP: -40°F TO 300°F (-40 TO 150 °C)

MAX PRESSURE: 900 PSI (60 BAR)

LEAD WIRES: PVC CABLE 48" MIN

SWITCH OPERATION: N.O./N.C.

U.L. RECOGNIZED FILE# E177423

BLK-COMMON
 RED-N.O.
 GRN-N.C.

	INNOVATIVE COMPONENTS	
	TITLE: PANDID BV	
MODEL: LS 11-045	DRAWN BY: F. J. K	
STOCK: 92207	DATE: 05/17/99	
	SHEET: 1 OF 1	
	SCALE: NONE	
FILENAME: C:\CK7\PR\LS-11040\92207	REV:	