

# KELCO

## FM Series Heavy Duty Flow Switch

### Features

- 0 to 500V AC 15 Amp S.P.D.T switch
- 316 Stainless Process Connection
- Super Tough Billet Aluminium Housing
- Manual override built in
- 3/4" & 1" models available with BSP or NPT threads
- 400 Bar (5800 psi) pressure rating
- Seal-less magnetic drive
- Dieselene & High Temperature versions available
- Weatherproof IP67 housing
- Easily serviceable

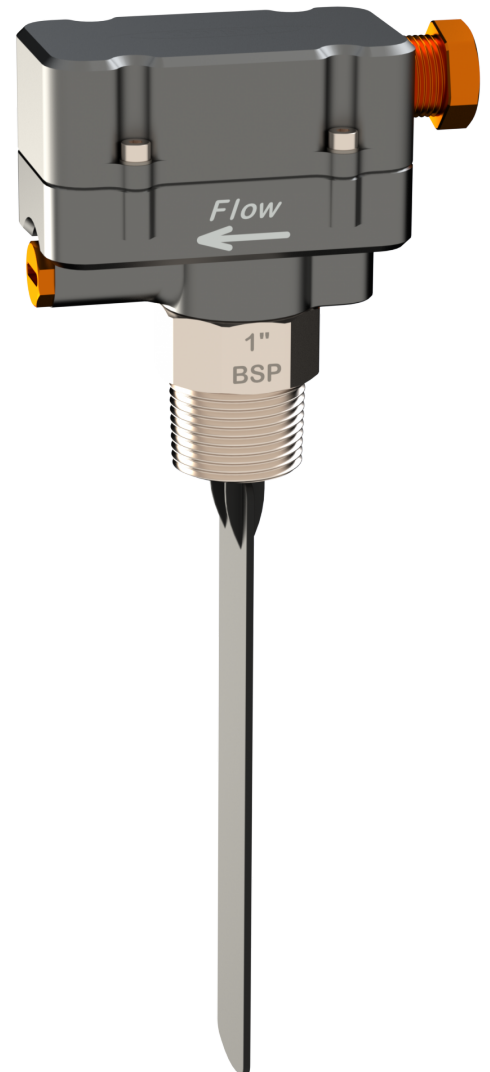
### Outline

The FM series flow switch is built tough for the most arduous industrial and mining applications. It is a rugged but highly sensitive paddle flow switch suitable for a wide range of flow sensing applications in both hot and cold liquid.

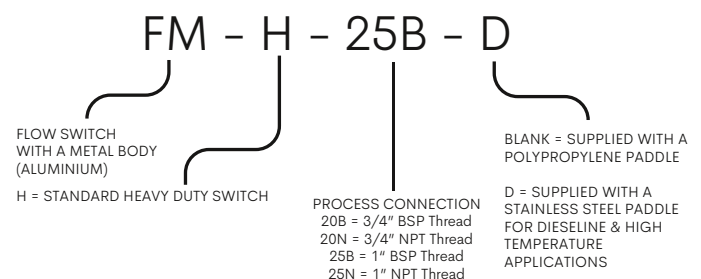
The FM series flow switch can be supplied with a glass fibre reinforced Polypropylene paddle or a stainless steel paddle. The paddle can be cut and shaped as required to suit pipework 25mm (1") or larger. A unique feature of the FM flow switch is its built in manual override. The manual override allows the flow switch to be switched on at any time at the press of a button regardless of lack of flow. Using the manual override allows pumps to be manually started at any time by simply pressing the button. It also makes the testing and commissioning of systems very simple.

A magnetic coupling system is built into each FM flow switch and couples the paddle's movement to the high compliance switch through a solid wall of stainless steel and aluminium. The result is a high-pressure flow switch with no seals diaphragms or bellows or other points of potential failure.

The FM flow switch is supplied as standard with a one piece 316 stainless steel process connection and a fully machined billet aluminium housing. The switch is suitable for use in bore water, sea water and in many chemical solutions. There is also a dedicated Dieseline and high temperature compatible version available with a stainless steel paddle.



### Ordering



# FM SERIES DATA

## Electrical Data for the 'H' Switch

The FM flow switch houses a S.P.D.T (Single Pole Double Throw) switch. The standard switch is suitable for all general control circuit applications up to 500V AC. It is ideal for the control of pump starters, relay logic circuits, and for the direct control of contactors and timers.

### IMPORTANT

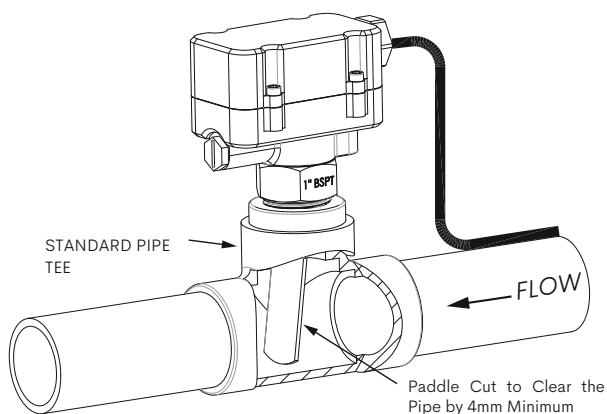
The standard H switch can operate at ANY voltage from 5 to 500VAC. It can be used to directly control pump motors up to 375 Watts (0.5HP) at 240VAC. For larger motors always use an interposing contactor or relay between the flow switch and the motor.

RATED VOLTAGE	NON INDUCTIVE LOADS				INDUCTIVE LOADS			
	RESISTIVE LOAD		LAMP LOAD		INDUCTIVE LOAD		MOTOR LOAD	
	NO	NC	NO	NC	NO	NC	NO	NC
125 VAC	15A	3A	1.5A	15A	5A	2.5A		
250 VAC	15A	2.5A	1.25A	15A	3A	1.5A		
500 VAC	10A	1.5A	0.75A	6A	1.5A	0.75A		
8 VDC	15A	3A	1.5A	15A	5A	2.5A		
14 VDC	15A	3A	1.5A	10A	5A	2.5A		
30 VDC	6A	3A	1.5A	5A	5A	2.5A		
125 VDC	0.5A	0.5A	0.25A	0.05A	0.05A	0.05A		
250 VDC	0.5A	0.5A	0.25A	0.03A	0.03A	0.03A		

**Note:** Do not apply maximum voltage at maximum current across the switch contacts. See main data table for current limits at specific voltages and for specific loads.

Maximum Switched Voltage	500VAC
Maximum Switched Current	20A
Minimum Switched Voltage	5VDC
Minimum Switched Current	160mA

### Typical Small Pipe Installation



## Flow Sensitivity

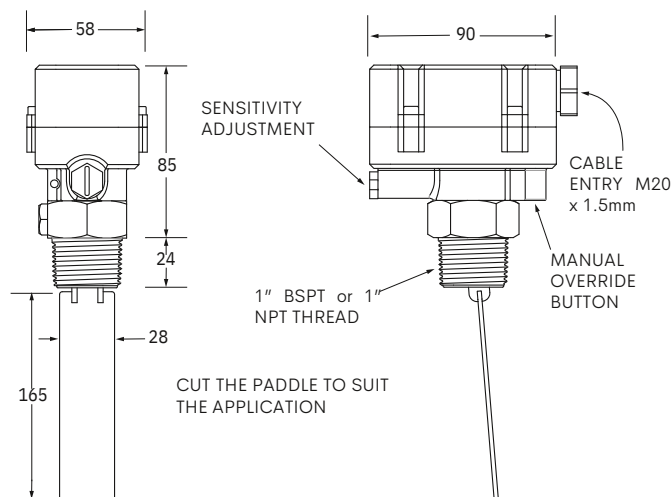
The flow rates required to actuate the FM flow switch will depend on many variables such as turbulence, liquid viscosity and the exact area of the paddle face exposed to the flow. For an accurate estimate of the switch performance and to determine the effect of paddle trimming, an online flow calculator is available at:

<https://kelco.com.au/paddle-trimming-calculator/>

## Operating Limits

Parameter	FM Switch with Polypropylene Paddle	FM-D Switch with Stainless Steel Paddle
Maximum operating pressure (static or dynamic) at ambient temperature	400 Bars (5800 psi)	400 Bars (5800 psi)
Minimum burst pressure at ambient temperature	800 Bars (11600 psi)	800 Bars (11600 psi)
Maximum operating temperature	80°C (176°F)	100°C (212°F)
Minimum operating temperature	-60°C (-76°F)	-60°C (-76°F)
Ingress protection rating	IP67	IP67

## Dimensions



## Approved Standards

The heavy duty single pole double throw switch used in the FM-H flow switch is approved to the following international standards:

UL (File No. E32667), CSA (File No. LR21642) SEV (File No. S20/163) and CE.

# Kelco Engineering Pty Ltd

PandID®B.V. | t: +31 174 280 371 | e: [info@pandid.nl](mailto:info@pandid.nl) | i: [www.pandid.nl](http://www.pandid.nl) | [www.lineblind.eu](http://www.lineblind.eu)

PLEASE NOTE: Kelco Engineering Pty Ltd reserves the right to change the specification of this product without notice. Users will use their own judgment to determine the appropriateness of using Kelco Products in an application, any safety measures required and that the product is properly installed for that application. To the extent permitted by law Kelco Engineering Pty Ltd disclaims and excludes all and any liability for the use of this product in any particular application or for defective installation. Kelco switches are warranted against malfunction by a 12 month return to base manufacturer's warranty. Full details of our warranty and limitation of liability can be found in this document or downloaded from: <http://www.kelco.com.au/warranty>

All rights reserved copyright Kelco Engineering Pty Ltd © 2022